

# C2800FDi DSP power amplifier 2x1400W, install



- Installation DSP amplifier, Euroblock connectors.
- Fully integrated professional speaker processing with FIR Drive technology.
- Market leading acoustic performance and rock solid reliability.
- Low Z and 70/100V operation and power saving standby mode.
- SONICUE Sound System Software\* makes setup and control easy.

\*) Requires firmware version 2.x or higher

## Technical specifications

Load Impedance	2 Ω	2.7 Ω	4 Ω	8 Ω
<b>Maximum Output Power, Single Channel<sup>1</sup></b>	2300 W	2000 W	1400 W	700 W
<b>Maximum Output Power, Dual Channel<sup>1</sup></b>	2200 W	1800 W	1300 W	650 W
<b>Maximum Output Power, Bridged<sup>1</sup></b>	-	-	4400 W	2600 W
<b>Direct Drive Load Capability<sup>2</sup></b>	<b>70 V Operation</b>		<b>100 V Operation</b>	
<b>Dual Channel</b>	2 x 1250 W (0.0 dB) <sup>3</sup>		2 x 1250 W (-3.0 dB)	
<b>Bridged</b>	Not recommended <sup>4</sup>		1 x 1250 W (0.0 dB)	
<b>Maximum RMS Voltage Swing</b> THD = 1%, 1 kHz	78.8 V			
<b>Voltage Gain</b> Ref. 1 kHz	32.0 dB			
<b>THD at 900 W/4 Ω</b> MBW = 80 kHz, 1 kHz	< 0.05%			
<b>IMD-SMPTE,</b> 60 Hz, 7 kHz	< 0.1%			
<b>DIM30,</b> 3.15 kHz, 15 kHz	< 0.05%			

Load Impedance	2 Ω	2.7 Ω	4 Ω	8 Ω
<b>Maximum Input Level</b>	+21 dBu			
<b>Crosstalk</b> ref. 1 kHz, at 100 W/4 Ω	< -80 dB			
<b>Frequency Response,</b> ref. 1 kHz	10 Hz to 21 kHz (±1 dB)			
<b>Input Impedance,</b> Active Balanced	20 k Ω			
<b>Signal to Noise Ratio Amplifier,</b> A-weighted, ref to Max. Output Power @ 8 Ω	>107 dB			
<b>Output Noise,</b> A-weighted	< -68 dBu			
<b>Output Stage Topology</b>	Class H			
<b>Power Requirements<sup>5</sup></b>	240 V, 230 V, 120 V or 100 V; 50 Hz to 60 Hz (factory configured)			
<b>Power Consumption</b> 1/8 Maximum Output Power @ 4 Ω	700 W			
<b>Mains Fuse</b>	240 V/230 V: T15AH; 120 V/100 V: T25AH			

Load Impedance	2 Ω	2.7 Ω	4 Ω	8 Ω
<b>Protection</b>	Audio limiters, high temperature, DC, HF, Back-EMF, Peak current limiters, Inrush current limiters, Turn on delay, Short-circuit			
<b>Cooling</b>	Front-to-rear, 3-stage-fans			
<b>Ambient Temperature Limits</b>	+5°C to +40°C (40°F to +105°F)			
<b>Safety Class</b>	I			
<b>Color</b>	Black			
<b>Dimensions</b> (W x H x D), mm	483 x 88 x 462.4			
<b>Weight</b>	16.2 kg (35.7 lb)			
<b>Remote Power ON/GPIO</b>	Power remote via switch, delay time selectable Floating relay contacts (show protect mode) Inputs for preset selection			

Load Impedance	2 Ω	2.7 Ω	4 Ω	8 Ω
<b>Signal Processing</b>	FIR Filters, Audio Limiters Output delay per channel, PEQ per channel, Load impedance			
<b>Accessories</b>	RMK15 (rear rack mount kit), SONICUE Sound System software			
<p>1) Test signal for max. output power according IHF-A-202 (Dynamic-Headroom, burst 1 kHz/20 ms on/480 ms off/low level -20 dBu).</p> <p>2) The direct drive load capability is a measure for the total wattage that can be driven in 70 V/100 V operation mode. A load capability value of 1250 watts means that this amplifier can drive e.g. 50 loudspeakers at a voltage tap of 25 watts. The dB value in parentheses indicates the delta to maximum modulation. In cases where the maximum modulation is not required you can use the smaller amplifier model.</p> <p>3) C2800FDi is the recommended amplifier for 70V Direct Drive. Amplifier operated in Dual Channel mode.</p> <p>4) This operation mode is not recommended due to the efficiency reasons. Please use the next smaller amplifier for this mode.</p> <p>5) Mains power range +/- 10%, max. output might not be achieved below rated mains power.</p>				

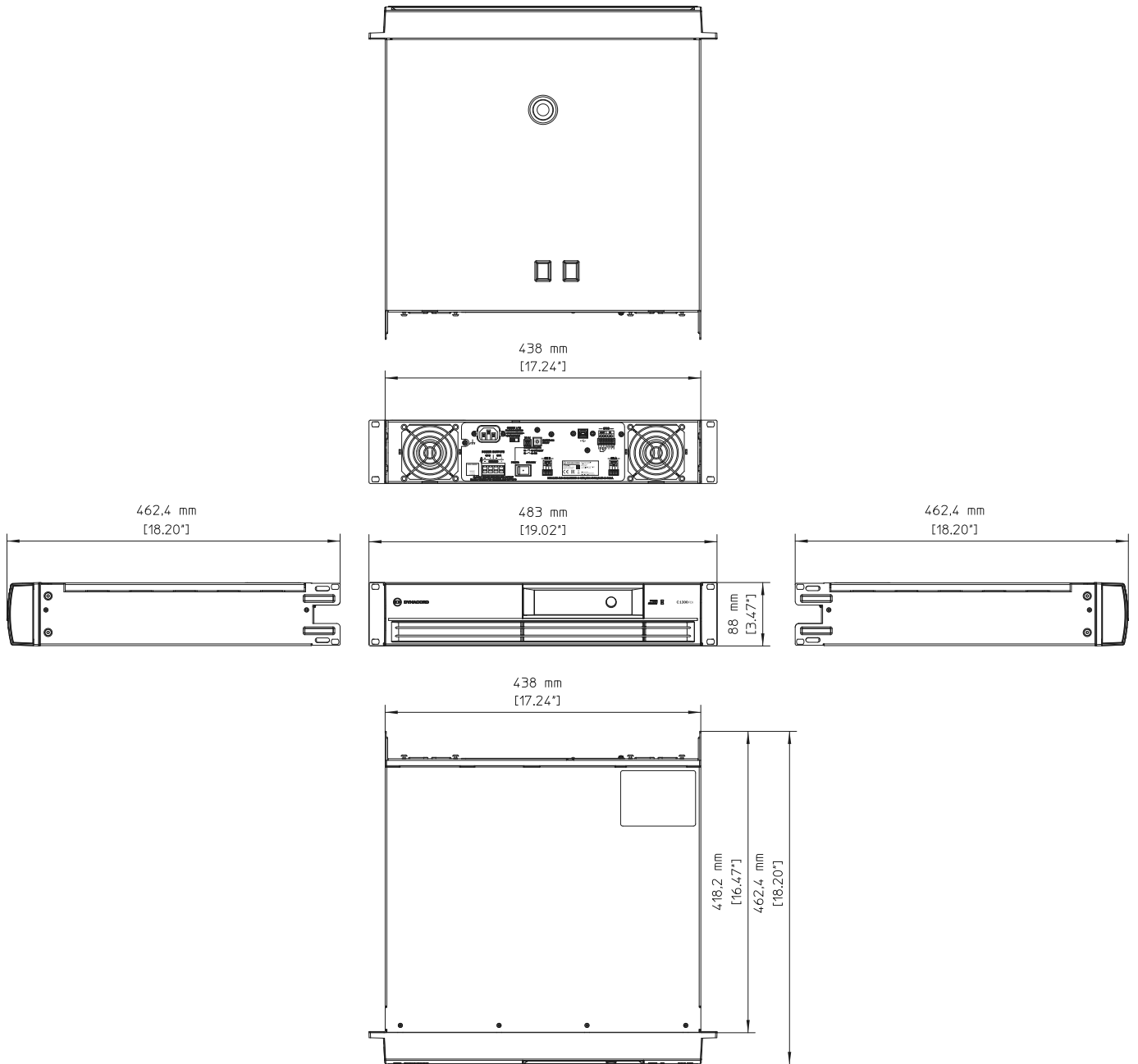



Fig. 1: Dimensions

 SAFETY COMPONENT MUST BE REPLACED BY ORIGINAL PARTS

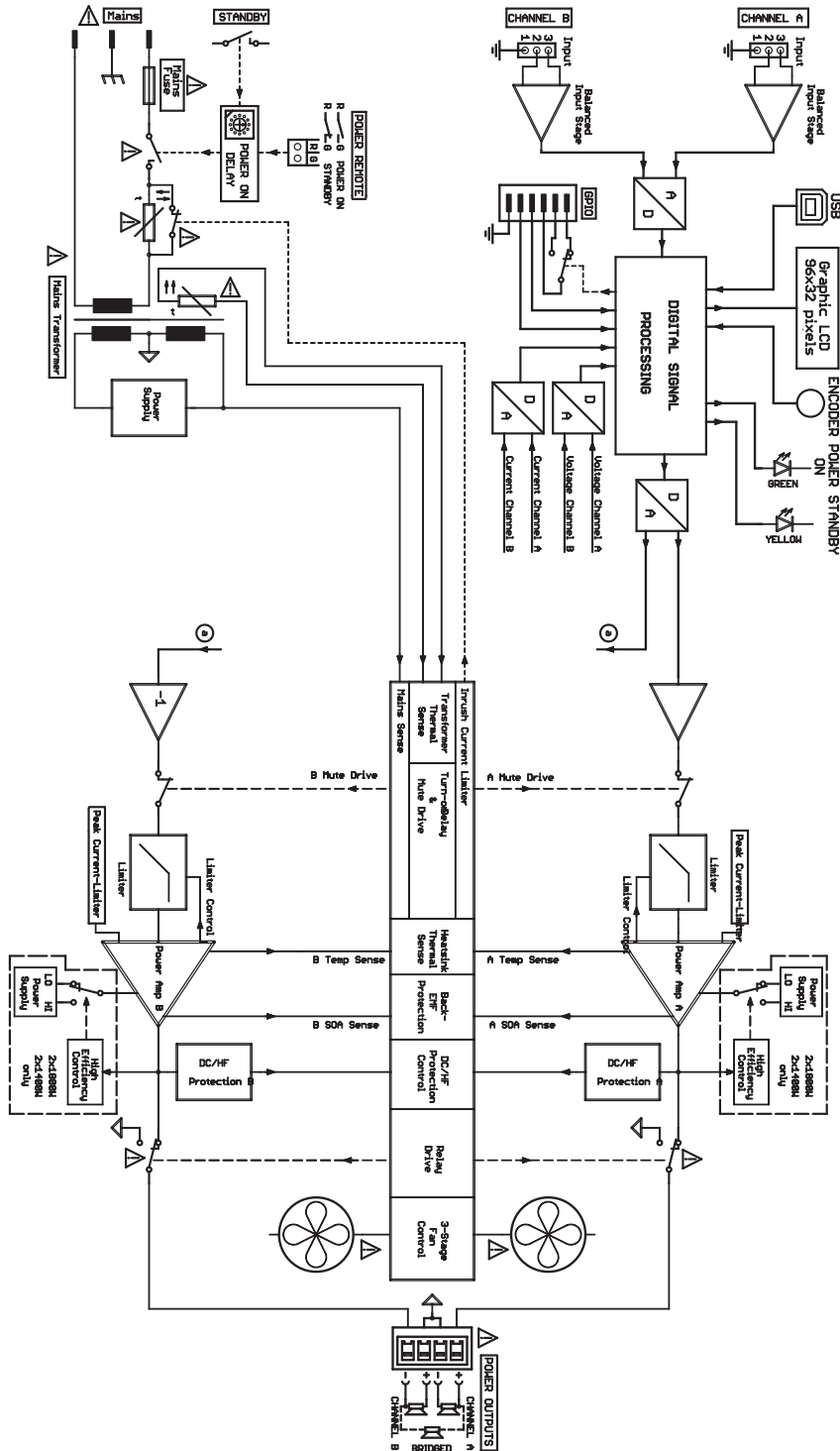


Fig. 2: Block diagram

## Ordering information

**C2800FDI-CN DSP power amplifier 2x1400W, install CN**  
 DSP power amplifier 2 x 1400W @ 4 ohms with FIR Drive,  
 70V/100V output, GPI remote power, black, Chinese  
 region  
 Order number **C2800FDI-CN | F.01U.314.190**

**C2800FDI-EU DSP power amplifier 2x1400W, install EU**  
 DSP power amplifier 2 x 1400W @ 4 ohms with FIR Drive,  
 70V/100V output, GPI remote power, black, European  
 region  
 Order number **C2800FDI-EU | F.01U.314.189**

**C2800FDI-JP DSP power amplifier 2x1400W, install JP**  
 DSP power amplifier 2 x 1400W @ 4 ohms with FIR Drive,  
 70V/100V output, GPI remote power, black, Japanese  
 region  
 Order number **C2800FDI-JP | F.01U.326.421**

**C2800FDI-UK DSP power amplifier 2x1400W, install UK**

DSP power amplifier 2 x 1400W @ 4 ohms with FIR Drive,  
70V/100V output, GPI remote power, black, UK region  
Order number **C2800FDI-UK | F.01U.322.278**

---

**C2800FDI-US DSP power amplifier 2x1400W, install US**

DSP power amplifier 2 x 1400W @ 4 ohms with FIR Drive,  
70V/100V output, GPI remote power, black, North  
American region  
Order number **C2800FDI-US | F.01U.314.191**

---

**Accessories**

**DC-RMK15 Rear rackmount kit for amplifiers**

Rack Mount Kit for amplifiers, Length 15,5"; 1L/1R  
Order number **DC-RMK15 | F.01U.135.402**

---

**Represented by:**

**Germany:**

Bosch Sicherheitssysteme GmbH  
Robert-Bosch-Ring 5  
85630 Grasbrunn  
Germany  
www.dynacord.com

Bosch Security Systems, LLC  
130 Perinton Parkway  
Fairport, NY 14450  
USA