

DPC 8015 CALL STATION

www.dynacord.com



The DPC 8015 is a call station for the PROMATRIX 8000 system. As standard, the call station has a gooseneck microphone with pop shield and permanent monitoring, a total of 20 buttons, an illuminated LC display, and an integrated loudspeaker. The call station can be modified to suit the user's requirements by connecting up to five DPC 8120 call station extensions, each with 20 customizable function and speed dial buttons.

Other DPC 8015 properties:

- Five menu/function keys (pre-programmed) – one LED (green) per button
- 15 function and speed dial buttons (customizable) – two LEDs (green/yellow) per button
- Label with transparent covering – the label can be changed at any time
- Can be used a standing or desk/rack flush-mounted device
- Internal monitoring with error logging – complying with all relevant national and international standards
- Easy configuration – use of IRIS-Net software

For more information (particularly regarding commissioning), see the DPC 8015 operating instructions and the IRIS-Net documentation.

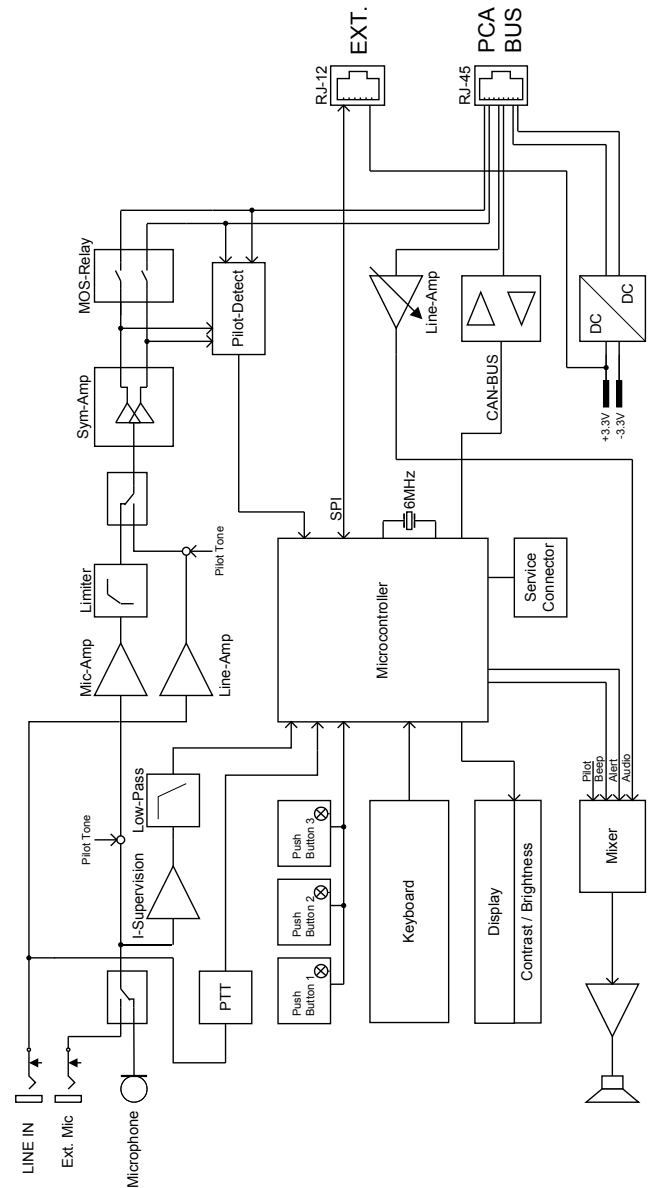
Parts included

No.	Component
1	DPC 8015
1	Patch cable (3 meters)
1	Label template
1	Operating manual

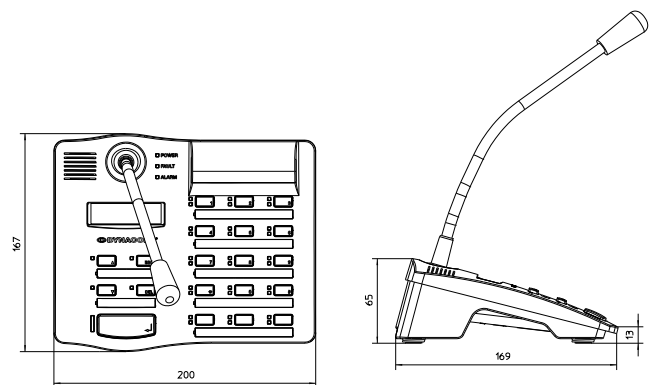
Technical specifications

Supply voltage	15–58 V DC
Maximum supply current (without EXTENSIONS)	< 80 mA / 24 V < 110 mA / 18 V
Maximum supply current (with 5 DPC 8120 EXTENSIONS)	< 180 mA / 24 V < 250 mA / 18 V
CAN interface	10–500 kbit/s, 1 x RJ-45, max. length 1000 m
Maximum mic input level	-21 dBu
Maximum line input level	+4 dBu
Maximum NF output level	+12 dBu

Buttons	5 pre-programmed, 15 programmable zone/function keys
LEDs	Power (green), Fault (yellow), Alarm (red) Green LED per pre-programmed menu button Green and yellow LED per programmable zone/function key
LC display	Back-Lit LC display (122 x 32 pixel)
External connectors	1 PCA BUS connector (Control data + Audio + Power supply, RJ-45) 1 audio source (line level, phone jack) 1 microphone input (phone jack) 1 EXT connector (call station extension, RJ-12)
Operating temperature	-5 °C to 45 °C
Product dimensions (Width by Height by Depth)	200 by 167 by 65 mm (without microphone)
Net weight	0.6 kg

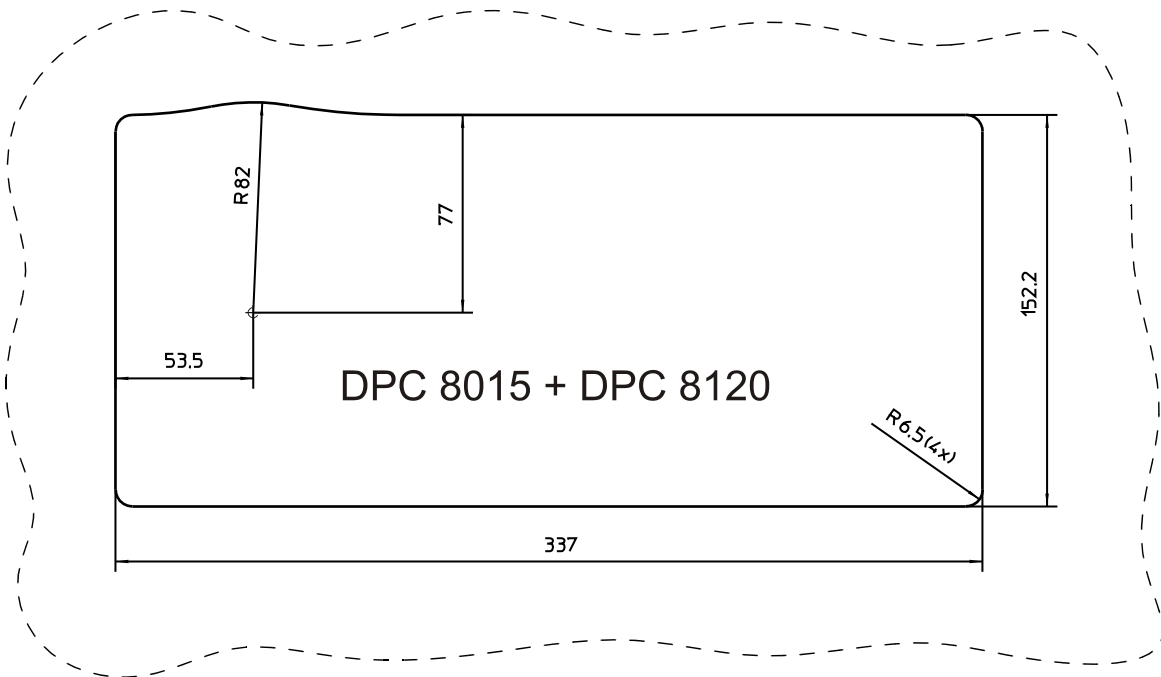
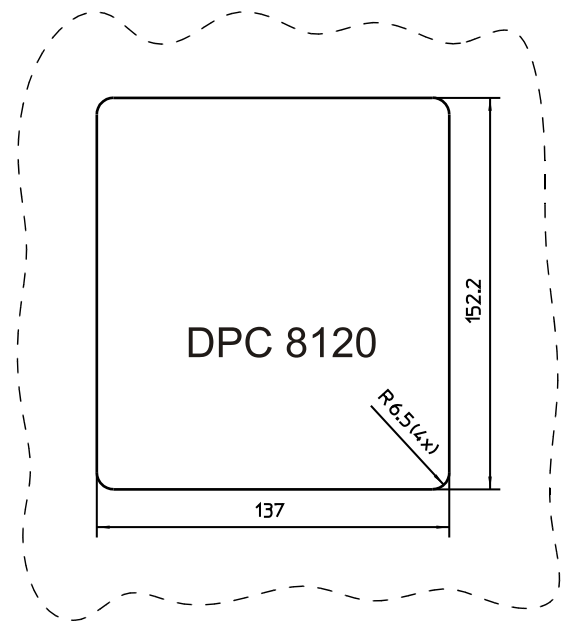
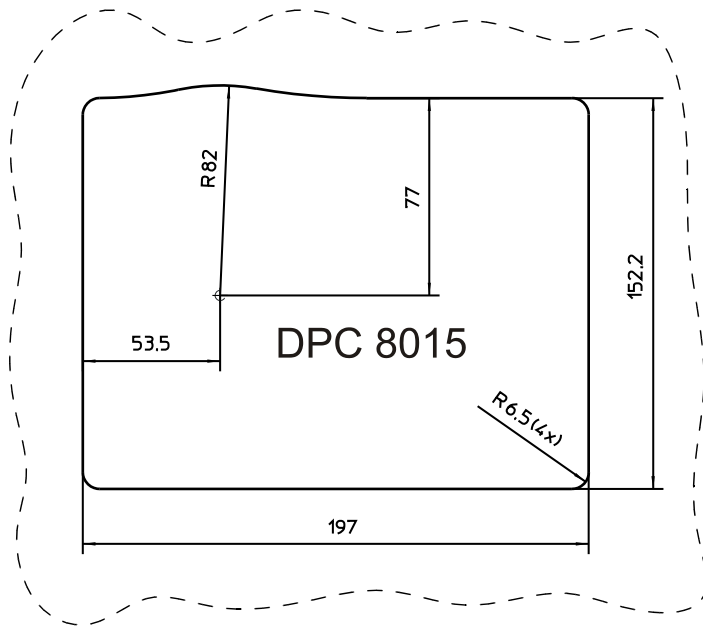


Block diagram



Dimensions

Installation/configuration notes



Installation section

Certifications and approvals

EN 54-16:2008

Ordering information

DPC 8015 CALL STATION

Order number **F01U101061**

Represented by:

Germany:

EVI Audio GmbH
Sachsenring 60
94315 Straubing
Germany

www.dynacord.com