

# WPN1-EU Wall panel controller networked, EU



- Easy to read 1.77-inch color TFT display.
- Flexible configuration in SONICUE for system-wide control.
- Simple mounting in standard EU wall-mount box.
- Convenient powering via PoE.
- Interchangeable front panel (white/black).

The WPN1-EU wall panel controller provides simplified operation and control within the SONICUE Sound System Software ecosystem. System-wide parameters can be controlled via a network connection to an MXE5 Matrix Mix Engine (or another SONICUE Control Server). The unit has a 1.77-inch color TFT display and is operated via a rotary encoder.

Flexible configuration in SONICUE allows the user interface to be designed with a very high level of customer- or project-specific detail, from a simple zone-volume control to multi-zone control, or even control of external devices via the MXE5's logic engine.

The WPN1-EU ships with a white front and can be easily changed to a black front with the parts supplied. It mounts conveniently in a standard EU-type wall-mount box and is powered via PoE (Power over Ethernet).

## Parts included

Quantity	Component
1	WPN1-EU wall panel controller, networked, EU
1	Wall plate for WPN1-EU, white
1	Wall plate for WPN1-EU, black
1	Interchangeable front panel & encoder knob, black
1	Quick installation guide
1	Safety information

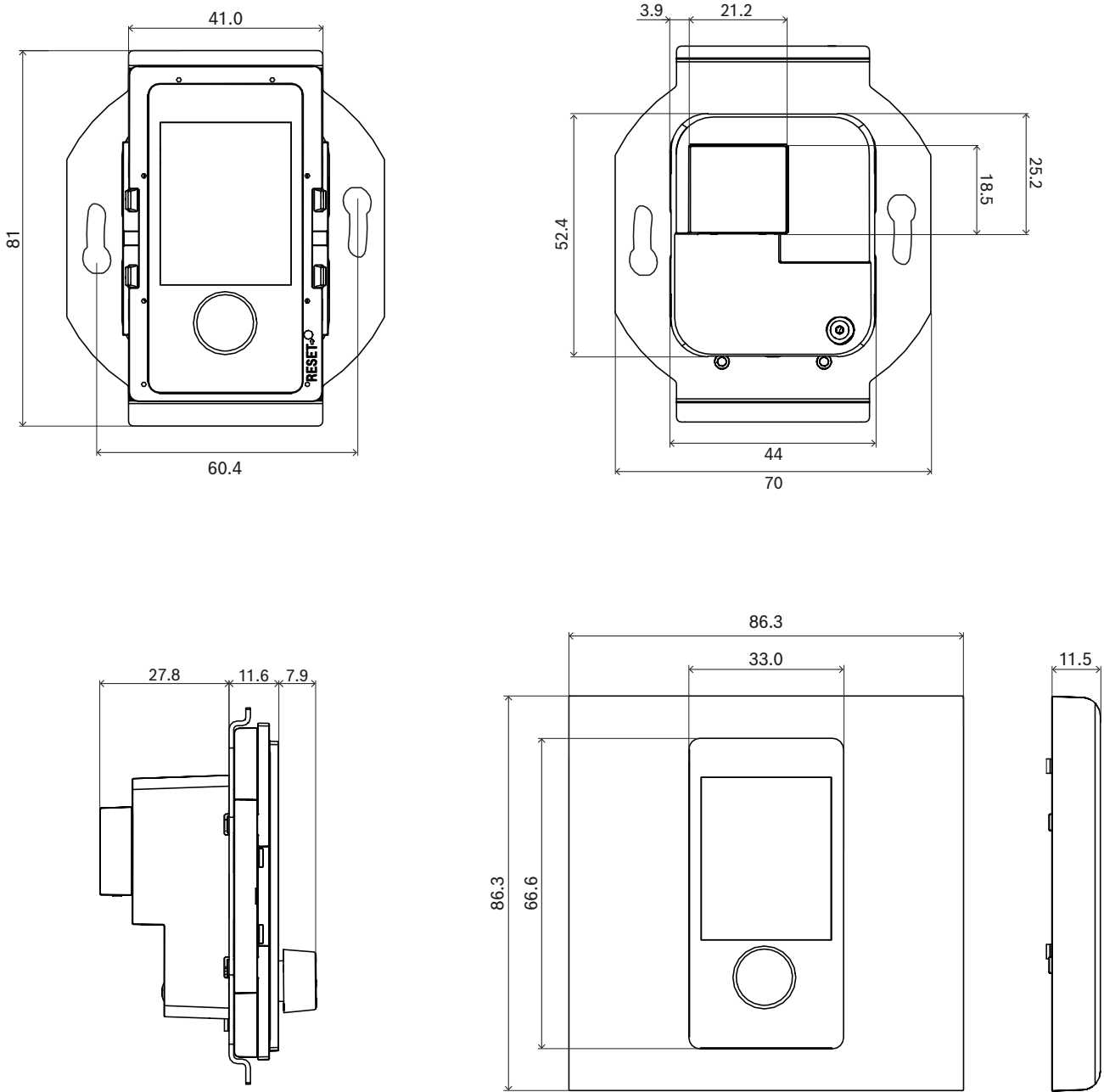
## Technical specifications

Display type	Color TFT
Display size (in)	1.77 in
Display resolution (pixels)	160 x 128 pixels
Brightness	480 cd/m <sup>2</sup>
Network	Ethernet 100BASE-TX, 1000BASE-T
PoE input	PoE IEEE 802.3af
PoE nominal voltage (VDC)	48 VDC
Mounting type	Wall-mounted
Required box size (mm)	62 mm diameter, ≥60 mm deep
Software compatibility	SONICUE (≥1.2.4)
SONICUE Control Server	MXE5 <sup>1</sup>
Color	White, changeable to black
Power consumption (W)	≤ 1.30 W
Operating temperature (°C)	0°C – 45°C
Operating relative humidity, non-condensing (%)	15% – 93%
Dimensions (H x W x D) (mm) <sup>2</sup>	86.3 mm x 86.3 mm x 47.30 mm
Weight (g)	93 g
Shipping weight (g)	253 g

<sup>1</sup> Or future SONICUE Control Server devices in SONICUE.

<sup>2</sup> Wall plate included.

### Dimensions



mm

### Ordering information

#### **WPN1-EU Wall panel controller networked, EU**

Wall panel controller with 1.77-inch display and encoder for use with SONICUE Control Server devices, PoE, ships with white and black front covers and wall plates

Order number **WPN1-EU | F.01U.388.087**

**Represented by:**

**Germany:**  
Bosch Sicherheitssysteme GmbH  
Robert-Bosch-Ring 5  
85630 Grasbrunn  
Germany  
[www.dynacord.com](http://www.dynacord.com)

Bosch Security Systems, LLC  
130 Perinton Parkway  
Fairport, NY 14450  
USA