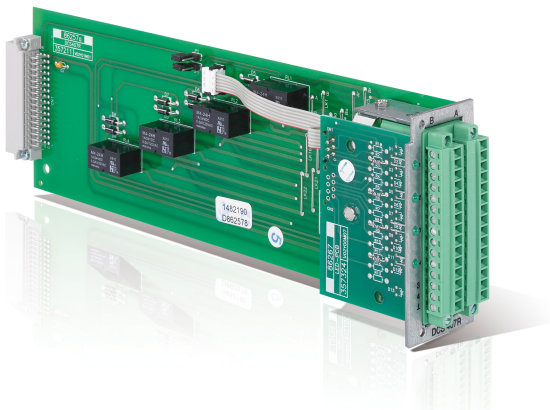


# DCS 407R

www.dynacord.com



- 4 low frequency relays, 2 switch contacts each.
- Gold-plated double contacts for high level of contact reliability.
- Pluggable connection terminals with screwed flange for all contacts and coils.
- 4 relay control LEDs.

The module is fitted on the back of the DCS 400 rack plug-in board. The module is used to switch audio signals (line levels) or for control purposes regardless of the DCS 400 system.

Additional properties:

- Configure the audio distributor by separating the wire jumpers.
- A monitor bus can be connected.

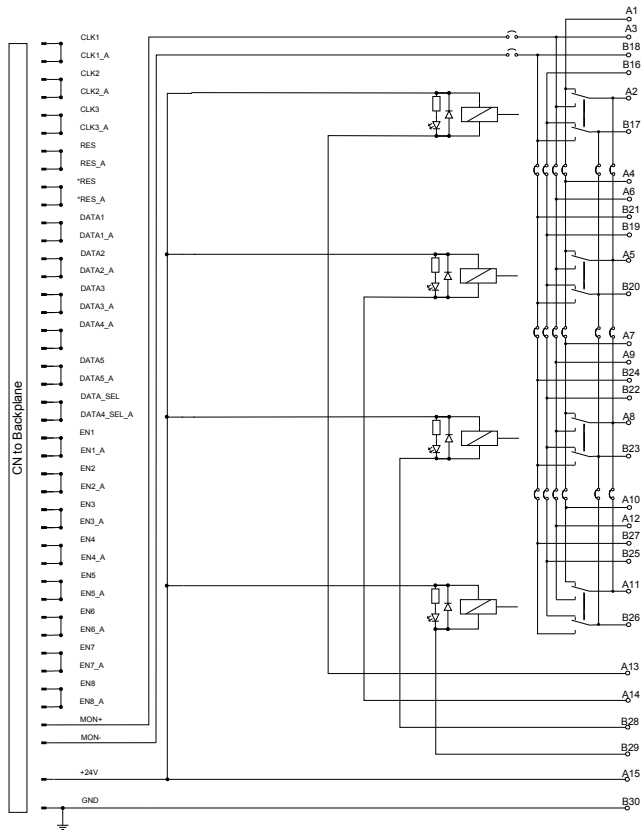
## Parts included

No.	Component
1	DCS 407R
2	Plug, 15-pin (Phoenix MC 1.5/15-STF-3.81 - 1827839)

## Technical specifications

Operating voltage	24 VDC, -10%/+30%
Operating current	
• Standby	24 V, 5.5 mA, 0.14 W
• Idle/Announcement/Alert	24 V, 42 mA, 1.01 W
Electromagnetical environment	E1, E2, E3
Operating temperature	-5 °C to 45 °C

Product dimensions (Width by Height by Depth)	37.5 by 80.6 by 245 mm
Net weight	163 g
Relay contacts	
• Contacts	2 SPDT
• Contact material	AgPd + 10µ Au
• Contact load (real)	1 A / 24 VDC 0.5 A / 120 VDC
• Contact current max.	2 A



Block diagram

## Ordering information

### DCS 407R

Order number **F01U121782**

## Installation/configuration notes

### Installation information

On the DCS 400 rack plug-in board, slots 1–10 must be occupied in ascending sequence (left to right) without any gaps. Different module types can otherwise be arranged in any sequence.

Exception: Slot 1 (far left) must always be occupied with a DCS 801R control module or DCS 405R extension module.

When assembling the device and installing the connections, please comply with the standards VDE 0100 and EN 60065.

### Connector

The scope of delivery for the device includes two 15-pin connectors. Conductor cross-sections of 0.14 mm<sup>2</sup> (AWG26) to 1.5 mm<sup>2</sup> (AWG16) can be used.

Recommended connecting cable: flexible CU strand, LiY, 0.75 mm<sup>2</sup>.

## Certifications and approvals

Status as of November 2012:

- EN 50130-4
- EN 54-16
- EN 55103-1
- EN 55103-2

**Represented by:**

**Germany:**

EVI Audio GmbH  
Sachsenring 60  
94315 Straubing  
Germany

[www.dynacord.com](http://www.dynacord.com)