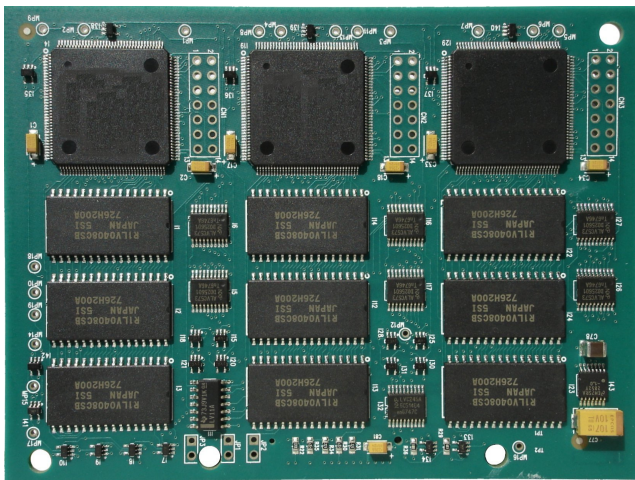


# DSP-2 DSP extension board, 1500 MIPS



- 1500 MIPS computing capacity
- 3 RAM banks (512k x 24 Bit) - allow for additional delay lines up to 32.7 seconds
- 48 Bit signal processing - Double Precision DSP algorithms
- Automatic Configuration - IRIS-Net detects when a module is added or removed

The DSP-2 v2 is a DSP extension module for use in an Electro-Voice NetMax or DYNACORD P 64 system. The module provides additional DSP for extending the signal processing capacity and additional RAM memory for implementing longer delay times or a greater number of delay lines.

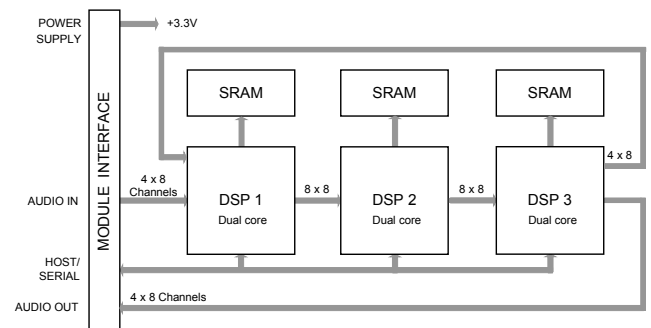
## Parts included

| Quantity | Component                       |
|----------|---------------------------------|
| 1        | DSP-2 module                    |
| 1        | Engineering data sheet          |
| 2        | Plastic spacers                 |
| 1        | Label <i>DSP-2 v2 installed</i> |

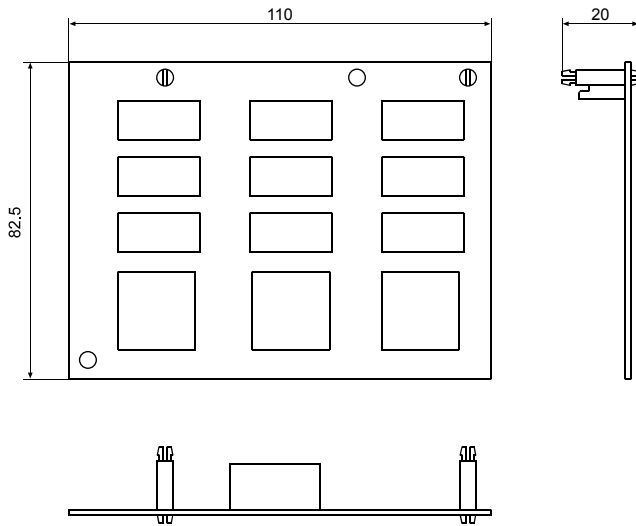
## Technical specifications

|                        |                          |
|------------------------|--------------------------|
| Supply voltage/current | +3.3 V DC, ±0.3 V/300 mA |
| Sample rate            | 48 kHz                   |
| Data format            | 48 Bit processing        |
| Processing power       | 1500 MIPS                |

|                                     |  |
|-------------------------------------|--|
| Memory                              | 3 x 512k x 24 Bit SRAM/32.7 s max. delay |
| Signal delay                        | 0.250 ms                                 |
| Electromagnetic environment         | E1, E2, E3                               |
| Operating temperature               | 0 °C to 40 °C                            |
| Dimensions (Height x Width x Depth) | 20 mm x 110 mm x 82.5 mm                 |
| Net weight                          | 50 g                                     |



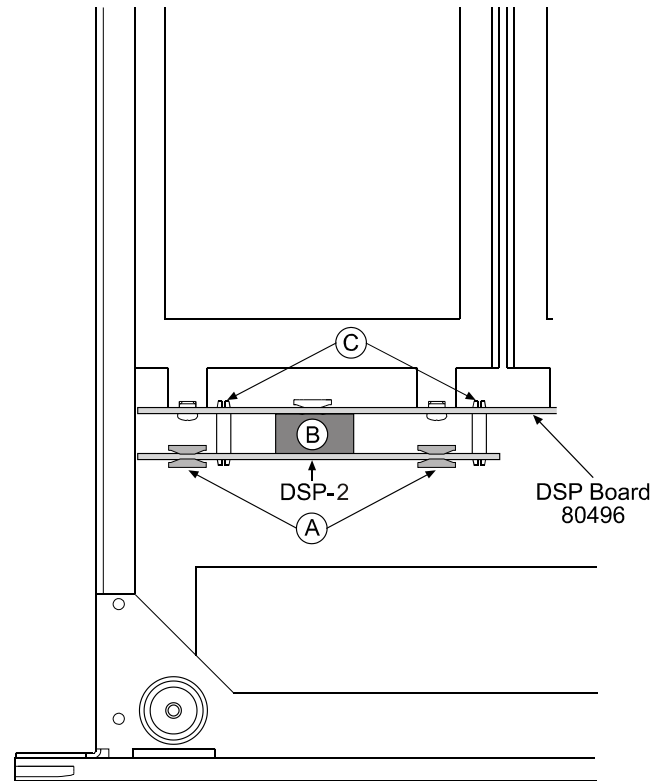
Block diagram



Dimensions

### Installation/configuration notes

1. Turn off the power to the unit and remove the mains lead.
2. Remove the top cover.
3. Install the DSP-2 module (see illustration below). Place the module in the guide slots (A) on the bottom panel.
4. Align the plug to the appropriate socket (B) and insert the plastic spacers into the mounting holes (C).
5. Re-fit the top cover.
6. Attach the label at the rear panel to indicate that the DSP v2 module is installed.
7. Reconnect the mains power and turn on the unit.
8. DSP-2 module is automatically detected. No further configuration is required.



### Ordering information

#### DSP-2 DSP extension board, 1500 MIPS

DSP-2 DSP Extender Module, adds 1500 MIPS DSP power

Order number **DSP-2**

#### Germany:

Bosch Sicherheitssysteme GmbH  
 Robert-Bosch-Ring 5  
 85630 Grasbrunn  
 Germany

Bosch Security Systems, Inc.  
 130 Perinton Parkway  
 Fairport, NY 14450  
 USA

www.dynacord.com