

VCS-8 8-zone call station, V series

V series



- High-quality gooseneck microphone: Ensures clear voice transmission
- 9 programmable buttons: Easily page any/all zones or control system functions
- Daisy-chainable: Connect up to 8 call stations with selectable chimes
- Advanced communication: Customizable priority, mutual exclusion, and busy indication
- Durable base: Heavy-duty cast aluminum for stability

The VCS-8 is a robust and versatile call station designed for seamless integration with the V Series Zone Audio Platform. Featuring a high-quality gooseneck microphone, the VCS-8 ensures clear and intelligible voice transmission for announcements and paging in any environment. Its 9 freely programmable buttons offer unparalleled flexibility, allowing users to easily page individual zones, groups of zones, or the entire system. These buttons can also be configured to control other system functions, providing customized control options.

Designed for scalability, the VCS-8 supports daisy-chaining of up to 8 units, simplifying installation and expansion. Advanced communication management features, including customizable priority settings, mutual exclusion functionality, and busy indication, ensure organized and efficient communication. Additionally, the VZX-8 allows 4 active pages to occur simultaneously when assigned to different zones. Built to withstand the rigors of daily use, the VCS-8 boasts a durable, heavy-duty cast aluminum base for exceptional stability and longevity. The VCS-8 Call Station is the ideal solution for clear, reliable, and easily managed paging and control within sophisticated audio systems.

Regulatory information

Regulatory areas	
Safety	UL 62368-1 CSA C22.2 No. 62368-1
EMC	EN55032:2015+A11:2020 EN55035:2017+A11:2020
FCC/ICES	Part 15 (Class B) (US) ICES-003 (Canada)

i Notice
WARNING: This product can expose you to lead, a chemical known to the State of California to cause cancer and birth defects or other reproductive harm. For more information, go to www.p65warnings.ca.gov.

Parts included

Quantity	Component
1	VCS-8
1	Quick installation guide
1	Safety and Security Information booklet

Technical specifications

Electrical

General	
Maximum acoustic input level (dB SPL)	120 dB
Minimum signal-to-noise ratio	68 dB (A-weighted)
Operating voltage (DC)	48 VDC (Bus powered)

Microphone	
Type	High-Quality Electret Condenser; Gooseneck, Non-detachable
Frequency response	100 Hz - 14 kHz
Included polar pattern	Unidirectional

Mechanical

Enclosure	
Light ring	Green: Line open for talking Orange: Pre-chime running or zone is busy (when zone is busy, selected zone button indicators additionally blink) Blue: Updating
Buttons	9 configurable buttons for selecting zones or assigning actions Push-to-Talk button
LED indicators around buttons	9 total. When illuminated, zone is assigned for paging/button is selected for assigned action. When a zone is busy, selected zone button indicator will blink.
Connections	2x RJ45, Out, In (for Daisy Chain)
Audio connection and power source	Accessory Bus of VZX-8 Zone Audio Processor
CAN termination plugs	1 per accessory line (A, B), place in unused port on last accessory connected to VZX-8 processor
CAN termination type	RJ45 termination with a 120 Ω resistor
Daisy Chain capable	Yes
Maximum devices supported	8 maximum VCS-8 per VZX-8
Housing type	Top - PC/ABS Bottom - Zamak
Mounting	Tabletop
Color in RAL	RAL 9017 Traffic black
Dimensions (HxWxD) without the microphone	60 mm x 130 mm x 192 mm (2.36 in x 5.12 in x 7.56 in)
Shipping dimensions (HxWxD)	171 mm x 391 mm x 192 mm (6.73 in x 15.39 in x 7.56 in)
Net weight	0.92 kg (2.03 lb)

Enclosure

Shipping weight	1.42 kg (3.13 lb)
-----------------	-------------------

Environmental

Climatic conditions

Operating temperature	5 °C to 40 °C (40 °F to 105 °F)
-----------------------	------------------------------------

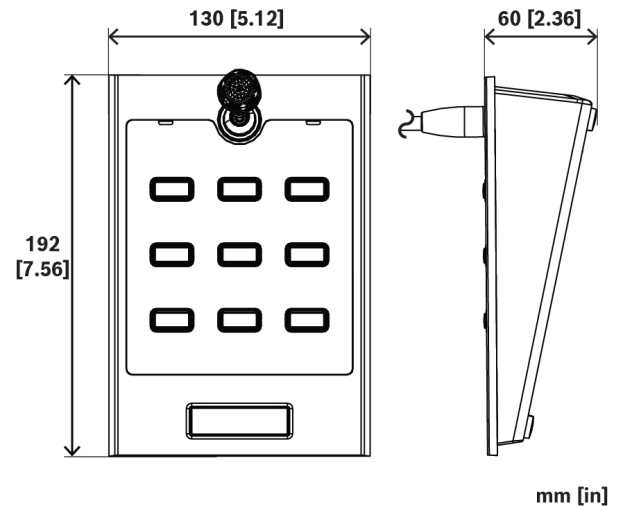


Fig. 1: Dimensions

Ordering information

VCS-8 8-zone call station, V series

V Series Call station with high-quality gooseneck microphone, 9 programmable buttons, daisy-chain support, and durable cast aluminum base.

Order number **VCS-8 | F.01U.426.622**



<https://www.dynacord.com>