

VWP-EU Wall panel controller, V series, EU

V series



The VWP Wall Panel Controller offers intuitive operation and control for audio systems, enhancing user interaction within commercial environments. Featuring a 1.77-inch color display and a rotary encoder, the VWP allows for seamless management of levels, zones, sources, and media playback. Its daisy-chain capability supports the connection of up to 16 controllers. The interchangeable front panel, available in white or black, ensures aesthetic flexibility to match any decor. Add a 1-gang Decora wall plate available from your local hardware/supply store. With Unicode support for over 150 languages, the VWP provides a user-friendly interface that caters to diverse audiences. Additionally, the VWP can be set with a 4-digit PIN lock and multiple user profiles for different levels of access. Designed for versatility and ease of use, the VWP Wall Panel Controller is an essential component for effective audio system management.

Regulatory information

Regulatory areas	
Safety	UL 62368-1 CSA C22.2 No. 62368-1
EMC	EN55032:2015+A11:2020 EN55035:2017+A11:2020
FCC/ICES	Part 15 (Class B) (US) ICES-003 (Canada)

- Clear Color Display: Easy-to-read 1.77" color display with rotary encoder
- Versatile Control: Level, zone, source, media playback, and more
- Daisy-Chainable: Connect up to 16 VWP controllers
- Interchangeable Panel: White/black front panel options
- Multilingual Support: Unicode for 150+ languages

Parts included

Quantity	Component
1	VWP
1	Interchangeable front panel & encoder knob (Black)
2	Decora plate (White/Black)
1	Quick installation guide
1	Safety and Security Information booklet

Technical specifications

Electrical

System specification	
Control type	24 Detents 360° Continuous Push Button Encoder
User controls	Level, Mute, Zone, Source, Media Player
Language support	Unicode, 150+ languages supported
Power consumption	≤0.4 W

Display	
Screen	1.77 in Color TFT
Resolution	160 x 128 pixels
Brightness	480 cd/m2

Connections	
Connectors	2x RJ45 In, Out (for Daisy Chain)
Connection & Power Source	Accessory Bus of VZX-8 Zone Audio Processor
CAN termination plugs	1 per accessory line (A, B), place in unused port on last accessory connected to VZX-8 processor
CAN termination type	RJ45 termination with a 120 Ω resistor

Mechanical

Enclosure	
Daisy chain capable	Yes
Maximum devices supported	16 VWP per VZX-8 (8 per port)
Mounting type	Wall-mounted
Color	White, changeable to black
Required electrical box size (mm)	60 mm diameter, ≥60 mm deep
Dimensions (WxHxD) (with front cover)	86.3 mm x 86.3 mm x 47.3 mm (3.39 in x 3.39 in x 1.86 in)
Shipping dimensions (WxHxD)	141 mm x 95 mm x 116 mm (5.55 in x 3.74 in x 4.57 in)
Weight	100 g (0.22 lb)
Shipping weight	253 g (0.55 lb)

Environmental

Climatic conditions	
Operating temperature	+5 °C to +40 °C (+40 °F to +105 °F)
Operating relative humidity, non-condensing (%)	15% - 93%

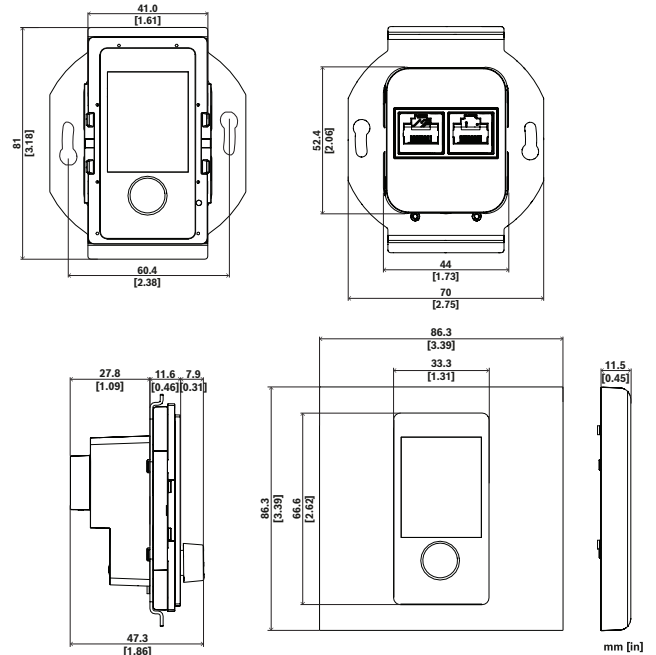


Fig. 1: Dimensions

Ordering information

VWP-EU Wall panel controller, V series, EU

V Series Wall panel controller with color display and encoder, ships with white and black front covers and decora wall plates. Order number **VWP-EU | F.01U.426.623**

