

UCS-1 Call station, 1 zone

U Series



- Push-to-talk button for instant announcements
- Green microphone indicator for active status
- Stable base with included 2 m cable
- Euroblock connector for easy installation
- Phantom powered directly from amplifier

The UCS-1 is a premium tabletop call station designed for clear and reliable announcements. Its unidirectional condenser microphone ensures focused audio capture, while the heavy base and rubber feet provide exceptional stability on any flat surface. Featuring a modern, streamlined design, the UCS-1 blends seamlessly into a wide range of environments.

Functions

Push-to-talk operation

The UCS-1 features a convenient push-to-talk button that instantly mutes or activates the microphone. When engaged, it also provides priority signaling to the connected U Series Mixer Amplifier, ensuring your announcements are heard first.

Flexible Connectivity

Supplied with a 2-meter cable that can be adjusted to your preferred length, the UCS-1 uses a reliable 5-pin Euroblock connector for secure and easy installation. If priority signaling is not required, a 3-Pin Euroblock connector can be used instead.

Visual status indicator

A green microphone icon illuminates when the microphone is active, giving clear visual confirmation for smooth operation.

Regulatory information

Safety	acc. to EN 62368
Immunity	acc. to EN 55035
Emission	acc. to EN 55032

Parts included

Quantity	Component
1	UCS-1 Call station, 1 zone
1	Quick installation guide

Technical specifications

Electrical

Phantom power supply	
Voltage rate	12 V - 48 V (P12 - P48)
Current consumption	11 mA Max.

Performance	
Sensitivity	-56 dB V/PA (1.60 m V/PA)
Maximum input sound level	100 dB SPL
Distortion	<1% (maximum input)
Input noise level (equiv.)	38 dBA
Frequency response	100 Hz - 16 kHz
Output impedance	200 Ω

PRELIMINARY

Mechanical

Dimensions (H x W x D)	60 mm x 130 mm x 192 mm 2.36 in x 5.12 in x 7.56 in
Weight	0.94 kg 2.1 lb
Color	RAL 9004 Signal black
Stem length with mic.	290 mm 11.42 in
Cable length	2 m 6.56 ft

Environmental

Operating temperature	-10 °C - 45 °C 14 °F - 113 °F
Storage temperature	-40 °C - 70 °C -40 °C - 158 °F
Relative humidity	<95%

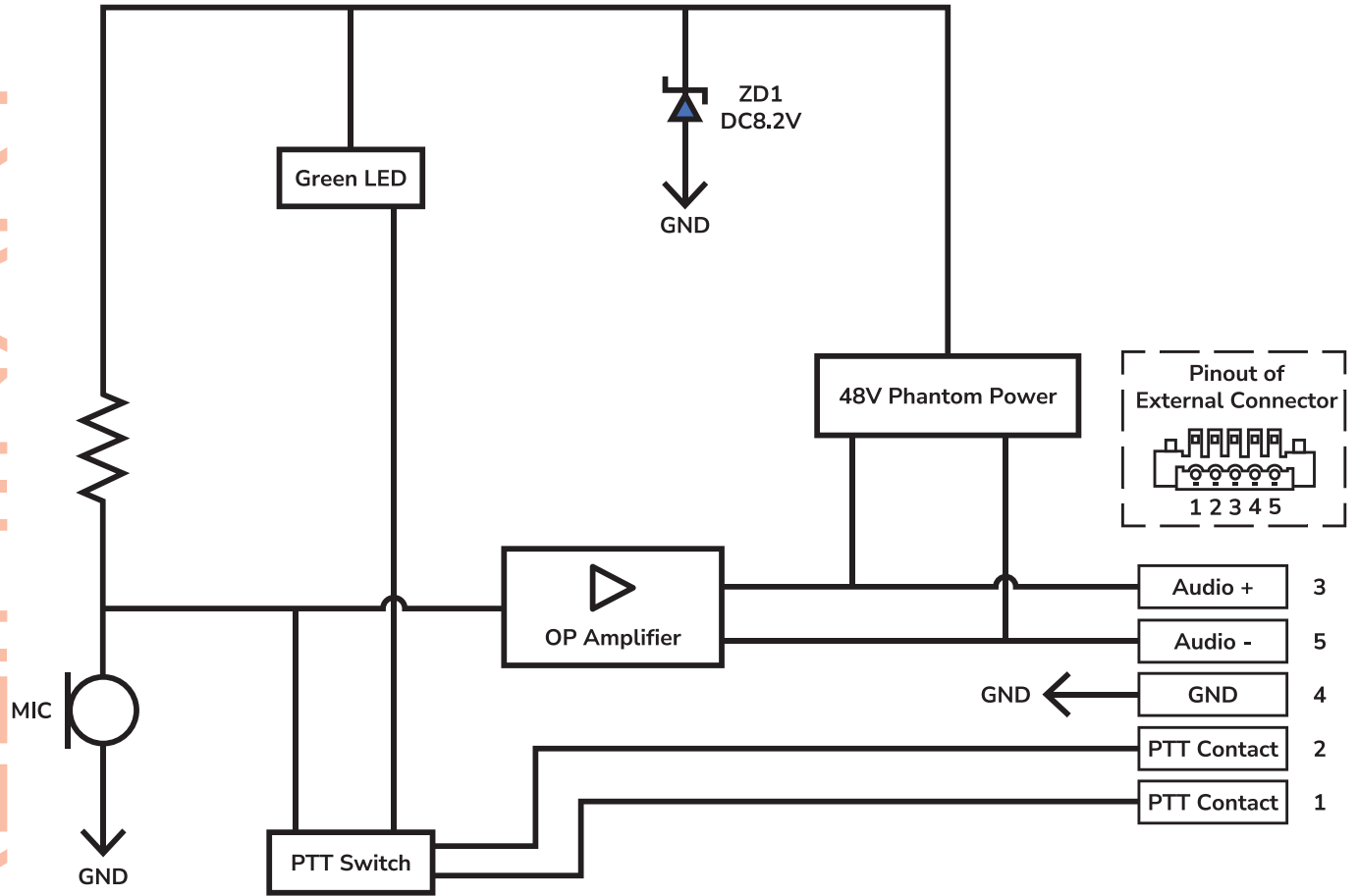


Fig. 1: Block diagram

Ordering information

UCS-1 Call station, 1 zone

1 zone call station with 2 m cable and lockable Euro style connector.

Order number **UCS-1 | F.01U.435.591**



<https://www.dynacord.com>

PRELIMINARY