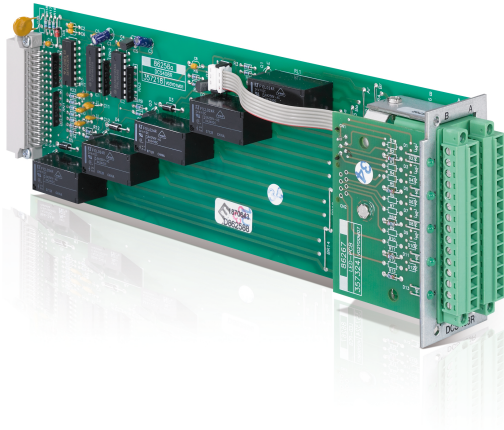


# DCS 408R

www.dynacord.com



- 5 line relays for 100 V, each with 2 switch contacts
- Pluggable connection terminals with screwed flange for all contacts
- 5 relay control LEDs
- Configure the speaker distributor by separating the wire jumpers
- A maximum of 12 DCS 408R/409R relay modules can be cascaded

The module is fitted on the back of the DCS 400 rack plug-in board. This is primarily used to switch 100-V speaker lines. However, the relays can also be used for all-call, forced reception, as an E or D relay, or for control purposes.

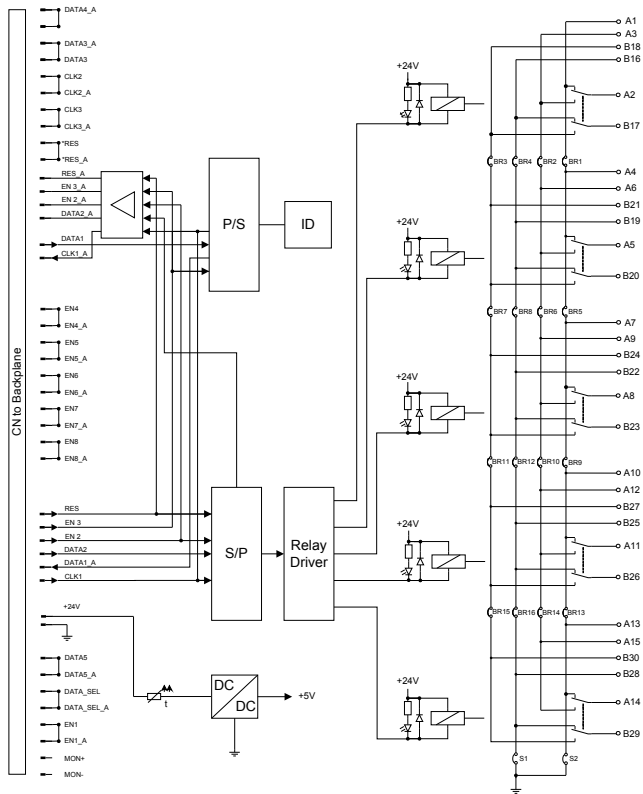
## Parts included

No.	Component
1	DCS 408R
2	Plug, 15-pin (Phoenix MC 1.5/15-STF-3.81 - 1827839)

## Technical specifications

Operating voltage	24 V DC, -10%/+30%
Operating current, relays off	
• Standby	24 V, 5.5 mA, 0.14 W
• Idle/Announcement/Alert	24 V, 96 mA, 2.31 W
Electromagnetical environment	E1, E2, E3
Operating temperature	-5 °C to 45 °C
Product dimensions (Width by Height by Depth)	37.5 by 80.6 by 245 mm

Net weight	225 g
Relay contacts	
• Contacts	2 SPDT
• Contact material	AgNi 90/10
• Contact load (real)	2000 VA
• Contact current	8 A
• Switching voltage	100 V AC



Block diagram

## Installation/configuration notes

### Installation information

On the DCS 400 rack plug-in board, slots 1–10 must be occupied in ascending sequence (left to right) without any gaps. Different module types can otherwise be arranged in any sequence. Exception: Slot 1 (far left) must always be occupied with a DCS 801R control module or DCS 405R extension module.

When assembling the device and installing the connections, please comply with the standards VDE 0100 and EN 60065.

### Connector

The scope of delivery for the device includes two 15-pin connectors. Conductor cross-sections of 0.14 mm<sup>2</sup> (AWG26) to 1.5 mm<sup>2</sup> (AWG16) can be used. Recommended connecting cable: flexible CU strand, LiY, 0.75 mm<sup>2</sup>.

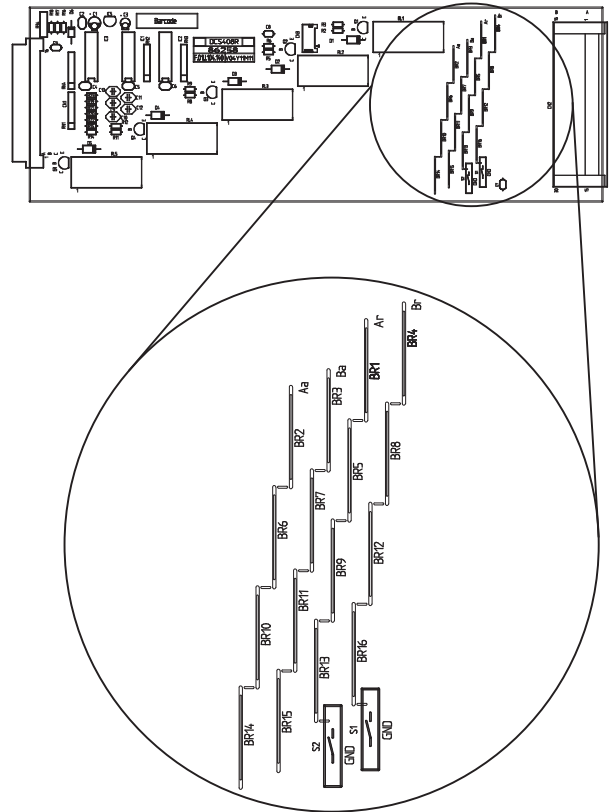
### Represented by:

#### Germany:

EVI Audio GmbH  
Sachsenring 60  
94315 Straubing  
Germany

www.dynacord.com

© Bosch Security Systems 2013 | Data subject to change without notice



Position of the bridges on the circuit board

## Certifications and approvals

Status as of November 2012:

- EN 50130-4
- EN 54-16
- EN 55103-1
- EN 55103-2

## Ordering information

### DCS 408R

Order number **F01U121784**