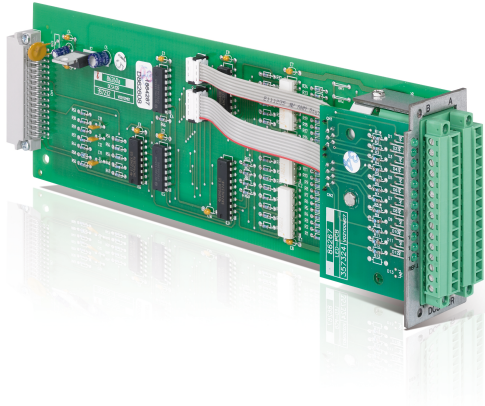


DCS 412R

www.dynacord.com



- 12 inputs
- The polarity for each input can be freely selected
- Each input is isolated by separating the wire jumpers
- Pluggable connection terminals for power supply to the buttons, contacts, and sensors

The module is fitted on the back of the DCS 400 rack plug-in board. The module is used to connect control cables, buttons, switches, and sensors in order to check their status (on, off) in the PROMATRIX 8000 system.

Additional properties:

- Pluggable connection terminals with screwed flange for all inputs
- A maximum of 5 DCS 412R modules can be cascaded

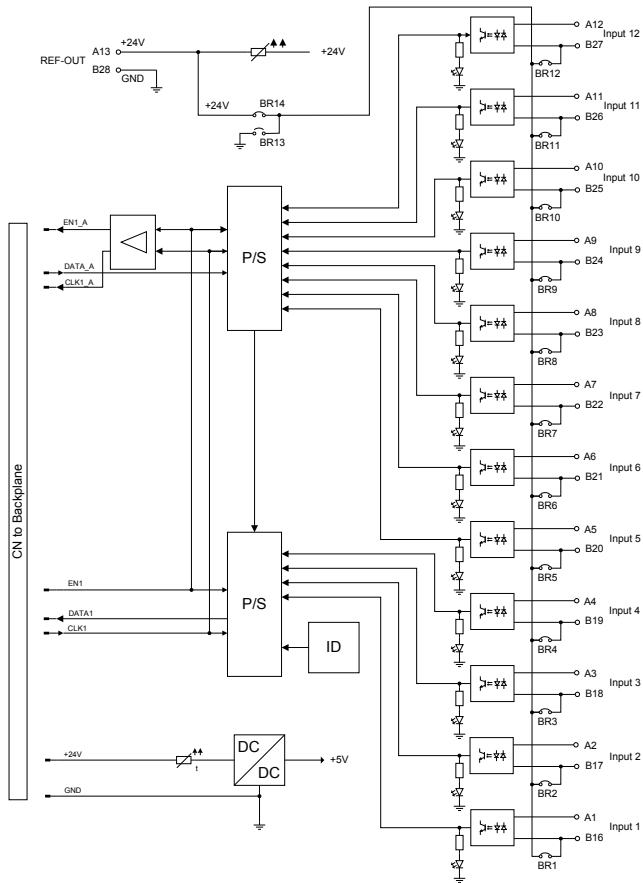
Parts included

No.	Component
1	DCS 412R
2	Plug, 15-pin (Phoenix MC 1.5/15-STF-3.81 - 1827839)

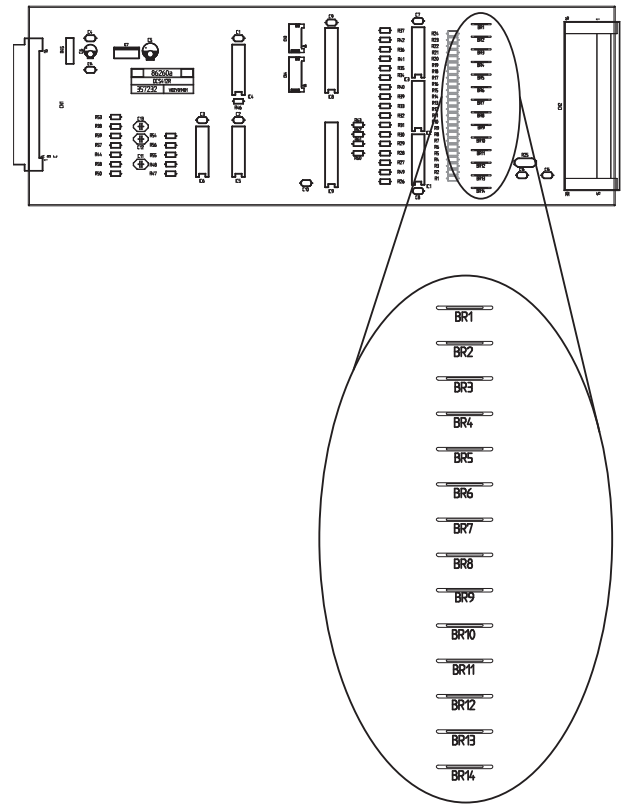
Technical specifications

Operating voltage	24 V DC, -10%/+30%
Operating current, all inputs open	
<ul style="list-style-type: none"> • Standby/Idle/Announcement/Alert 	24 V, 83 mA, 2.00 W
Electromagnetical environment	E1, E2, E3
Operating temperature	-5 °C to 45 °C

Product dimensions (Width by Height by Depth)	37.5 by 80.6 by 245 mm
Net weight	175 g
Input level	
<ul style="list-style-type: none"> • Input voltage for off (Low) 	$U_{IN} < \pm 5 V$
<ul style="list-style-type: none"> • Input voltage for on (High) 	$U_{IN} > \pm 10 V$
<ul style="list-style-type: none"> • Input current at $U_{IN} = 24 V$ 	$I_{IN} = 4.8 mA$
<ul style="list-style-type: none"> • Input voltage max. 	$U_{IN max} = \pm 31 V$
Output source 24 V	
<ul style="list-style-type: none"> • Output current max. 	90 mA



Block diagram



Position of the bridges on the circuit board

Installation/configuration notes

Installation information

On the DCS 400 rack plug-in board, slots 1–10 must be occupied in ascending sequence (left to right) without any gaps. Different module types can otherwise be arranged in any sequence.

Exception: Slot 1 (far left) must always be occupied with a DCS 801R control module or DCS 405R extension module.

When assembling the device and installing the connections, please comply with the standards VDE 0100 and EN 60065.

Connector

The scope of delivery for the device includes two 15-pin connectors. Conductor cross-sections of 0.14 mm² (AWG26) to 1.5 mm² (AWG16) can be used.

Recommended connecting cable: flexible CU strand, LiY, 0.75 mm².

Represented by:

Germany:

EVI Audio GmbH
Sachsenring 60
94315 Straubing
Germany

www.dynacord.com

Certifications and approvals

Status as of November 2012:

- EN 50130-4
- EN 54-16
- EN 55103-1
- EN 55103-2

Ordering information

DCS 412R

Order number **F.01U.121.788**