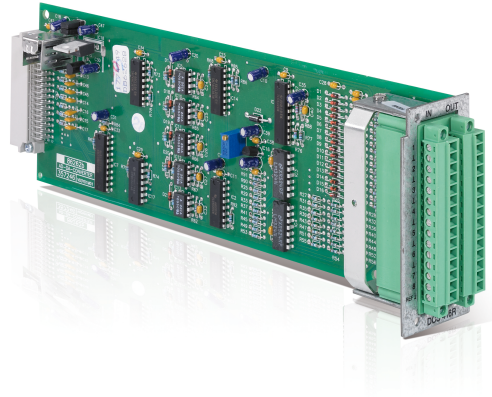


DCS 416R

www.dynacord.com



- 8 analog inputs
- 0–10 V DC or a potentiometer can be connected to each input
- Pluggable connection terminals for reference voltage of 10 V
- 8 analog outputs 0–10 V DC

The module is fitted on the back of the DCS 400 rack plug-in board. The module is used to connect analog control cables and potentiometers whose level is used to control loudspeaker controllers or other continuous parameters. The control outputs also provide analog voltages to control external devices with analog inputs.

Additional properties:

- Pluggable connection terminals with screwed flange for all inputs and outputs
- A maximum of 2 DCS 416R modules can be cascaded

Parts included

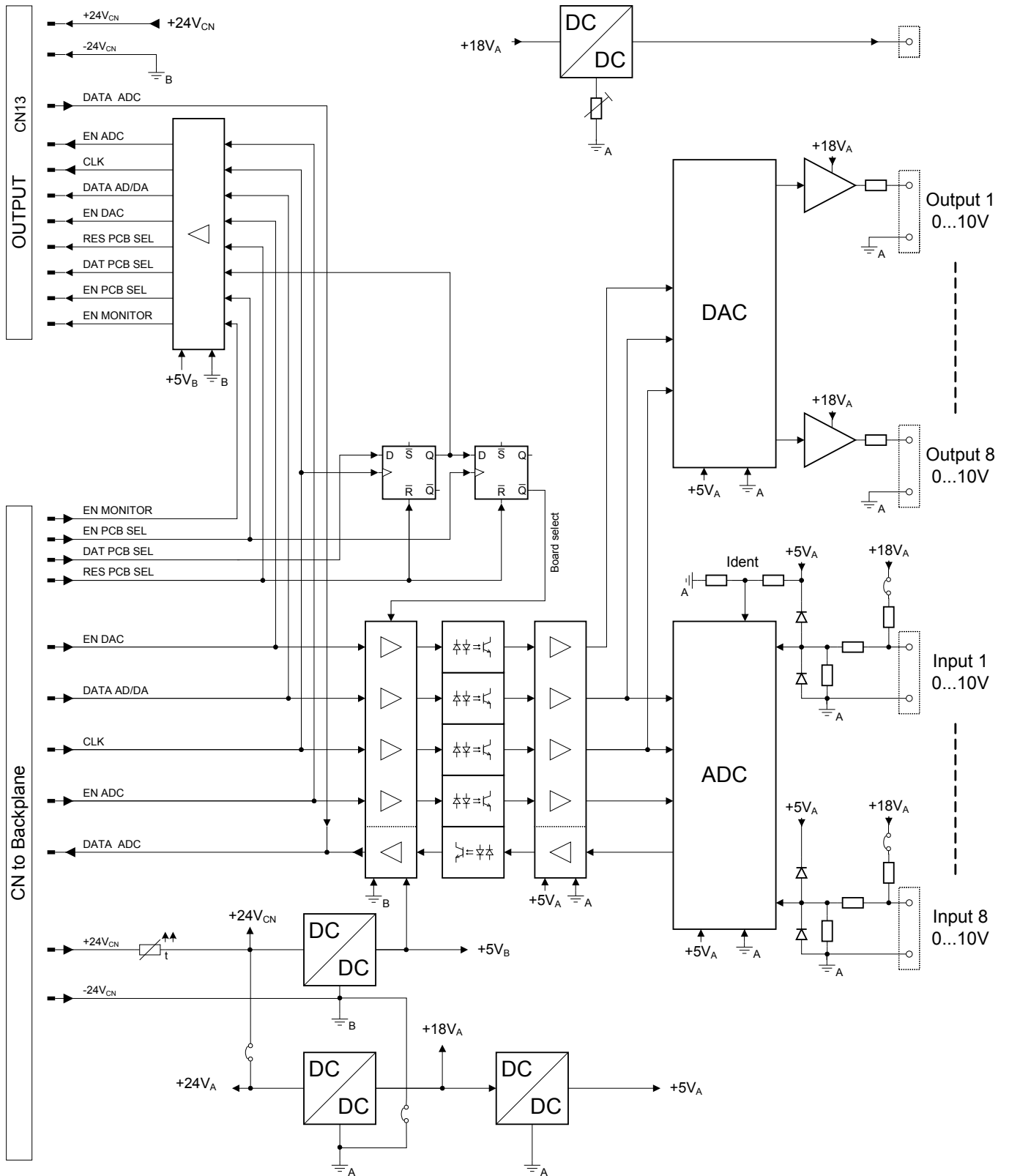
No.	Component
1	DCS 416R
2	Plug, 15-pin (Phoenix MC 1.5/15-STF-3.81 - 1827839)

Technical specifications

Operating voltage	24 V DC, -10%/+30%
Operating current (max.)	
<ul style="list-style-type: none"> • Standby/Idle/Announcement/Alert 	24 V, 72 mA, 1.73 W

Electromagnetic environment	E1, E2, E3
Operating temperature	-5 °C to 45 °C
Product dimensions (Width by Height by Depth)	37.5 by 80.6 by 245 mm
Net weight	170 g
Inputs	
<ul style="list-style-type: none"> • Voltage range (min.–max.) 	0–10 V DC
<ul style="list-style-type: none"> • Impedance range ext. (min.–max.) 	0–10 kΩ
<ul style="list-style-type: none"> • Maximum input voltage 	50 V DC
Outputs	
<ul style="list-style-type: none"> • Voltage range (min.–max.) 	0–10 V DC
<ul style="list-style-type: none"> • Output impedance 	47 Ω
<ul style="list-style-type: none"> • Maximum load 	2 kΩ
Resolution of inputs/outputs	8 Bit
Reference voltage source	

- Output voltage 10 V DC
- Maximum output current 30 mA



Block diagram

Installation/configuration notes

Installation information

On the DCS 400 rack plug-in board, slots 1–10 must be occupied in ascending sequence (left to right) without any gaps. Different module types can otherwise be arranged in any sequence.

Exception: Slot 1 (far left) must always be occupied with a DCS 801R control module or DCS 405R extension module.

When assembling the device and installing the connections, please comply with the standards VDE 0100 and EN 60065.

Connector

The scope of delivery for the device includes two 15-pin connectors. Conductor cross-sections of 0.14 mm² (AWG26) to 1.5 mm² (AWG16) can be used.

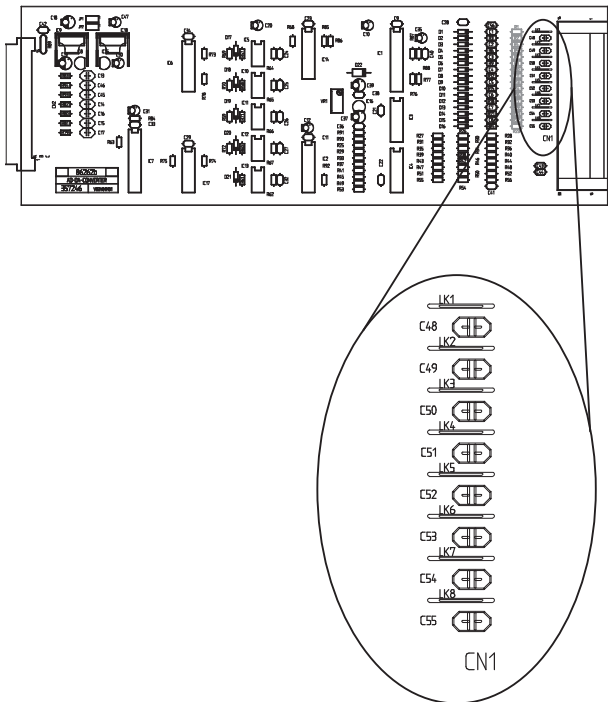
Recommended connecting cable: flexible CU strand, LiY, 0.75 mm².

- EN 50130-4
- EN 54-16
- EN 55103-1
- EN 55103-2

Ordering information

DCS 416R

Order number **F.01U.121.790**



Position of the bridges on the circuit board

Certifications and approvals

Status as of November 2012:

Represented by:

Germany:

EVI Audio GmbH
Sachsenring 60
94315 Straubing
Germany

www.dynacord.com