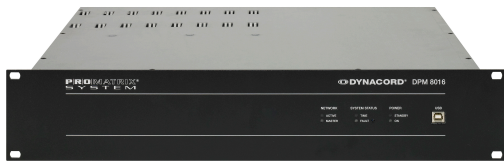


# DPM 8016 PROMATRIX CONTROLLER

www.dynacord.com



The DPM 8016 is the modular, network-capable central unit in the PROMATRIX 8000 system. The system can be adjusted to suit requirements by connecting audio input or output modules via the eight slots available.

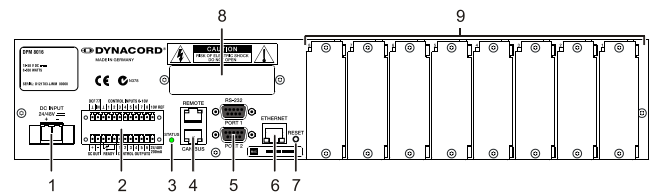
The DPM 8016 contains all the necessary audio functions and is responsible for controlling and monitoring the entire PROMATRIX 8000 system. A single DPM 8016 controller can manage up to 16 call stations and up to 500 loudspeaker circuits. In larger systems, up to ten DPM 8016 controllers can be linked with each other via a digital audio and control bus.

Other DPM 8016 properties:

- Integrated signal processing functions – 32 x 16 routing/mixer matrix, EQ's, dynamic functions, automatic volume control
- Internal monitoring with error logging – complying with relevant national and international standards
- Various connection options – interfaces for Ethernet, CAN bus, RS-232, CobraNet, GPIOs

For more information, see the DPM 8016 operating instructions and the documentation on IRIS-Net.

## System overview



Number	Element
1	Power supply input (DC INPUT 24/48 V)
2	CONTROL PORT
3	STATUS LED
4	REMOTE CAN BUS interfaces
5	RS-232 interfaces
6	ETHERNET interface with status LEDs
7	RESET key
8	Network module slot
9	Extension slots

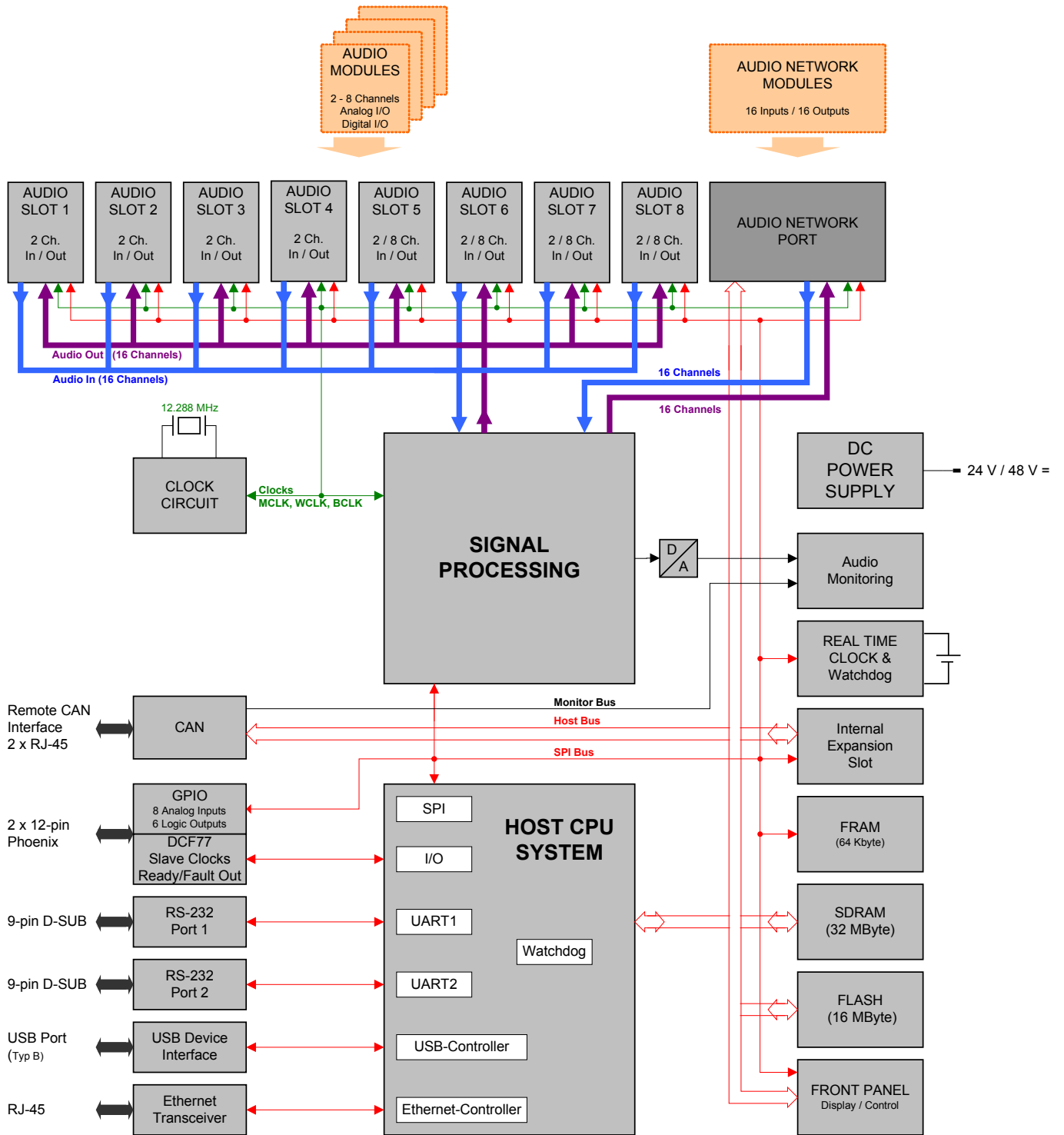
## Parts included

No.	Component
1	DPM 8016
2	CAN terminating resistor (120 ohm)
1	2-pin plug (Phoenix PC 5/2-STF1-7.62 – 1777833)
2	12-pin plug (Phoenix MC 1.5/12-STF-3.81 – 1827800)
1	Technical information

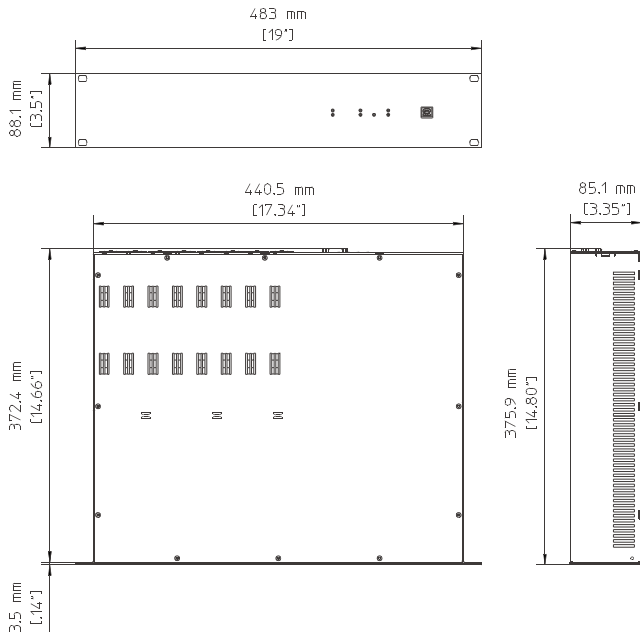
## Technical specifications

DPM 8016 System Controller	Modular PROMATRIX 8000 system manager including signal processing, routing, system control and supervision
Audio	16 audio channels 8 audio slots, modular 2-channel input and output cards
Networking	Module slot for optional CobraNet interface 16 I/O audio
Safety/redundancy	Internal supervision, system monitoring, watchdog, fault output Redundant audio network possible
PC configuration and control software	IRIS-Net – Intelligent Remote & Integrated Supervision Integration of DPM 8016, amplifiers, call stations, and peripheral control Configuration, control, and supervision for complete audio systems Programmable user control panels and access levels
Audio input specifications	See technical specifications of used input module
Audio output specifications	See technical specifications of used output module
Frequency response	20 Hz to 20 kHz (-0.5 dB)
Signal-to-noise ratio (A-weighted)	DPM 8016 analog in to analog out: 106 dB typical
THD+N	< 0.01%
Crosstalk	< 100 dB @ 1 kHz
Sample rate	48 kHz
DSP processing resolution	24-bit linear A/D and D/A conversion, 48-bit processing
Signal processing	3 DSPs (480 MIPS) internal, DSP extension module optional
Ethernet	10/100 MB, RJ-45 (PC control)

CAN	10 to 500 kbit/s, 2 x RJ-45 (remote amp control)
RS-232	2 ports, 9-pin DSUB female (remote control)
USB	USB type B on front panel (PC control)
Control port	2 x 12-pin connector 1 slave clock output (max. 1 A) 1 time sync input (DCF-77 standard, for receiver NRS 90193) 8 control inputs (analog 0-10 V/ logic control) 6 control outputs (open collector, max. 60 V/1 A) 1 ready/fault output (NO/NC relay contacts, max. 30 V/1 A) 3 reference outputs (+10 V, 100 mA/+24 V, 200 mA/GND)
Power supply	+24 V DC (wide range tolerance: 18 V to 58 V DC)
Power consumption	6 to 550 W (depending on installed modules and periphery)
Supply current (without modules)	Standby: 0.165 A, idle: 0.165 A, announcement: 0.300 A, alarm: 0.300 A
Cooling	Fan, left-to-right
Operating temperature	-5 °C to +45 °C
Electromagnetic environment	E1, E2, E3
Product dimensions (Width by Height by Depth)	19", 2 HU, 483 x 88 x 376 mm
Net weight	DPM 8016 (without optional modules): 7.25 kg DPM UI-1 Universal Input Module: 100 g DPM AO-1 Analog Output Module: 100 g CM-1 CobraNet Module: 75 g



Block diagram



*Dimensions*

**Installation/configuration notes**

**Warning!**



Risk of explosion if battery is not replaced correctly. Must be replaced only with the same or equivalent type of battery.

**Ordering information**

**DPM 8016 PROMATRIX CONTROLLER**  
 Central controller  
 Order number **F01U121792**

**Accessories**

**DPM AO-1**  
 Order number **F01U121881**

**DPM UI-1**  
 Order number **F01U121881**

**Represented by:**

**Germany:**

EVI Audio GmbH  
 Sachsenring 60  
 94315 Straubing  
 Germany

www.dynacord.com