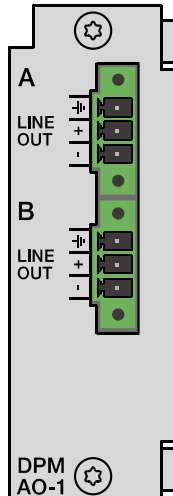


# DPM AO-1

www.dynacord.com



The DPM AO-1 is 2-channel analog audio output module for the DPM 8016 PROMATRIX CONTROLLER. The audio signals are connected via screw-in Euroblock connectors. The output level of both channels can be switched internally between +6 dBu and +18 dBu.

Linear, high-precision 24 bit converters are used for the D/A conversion. The internal signal preparation uses a 48-bit name length.

Other AO-1 properties:

- 109 dB dynamic range – for the best audio performance without disruptive incidental noise
- 100 Ω symmetrical output driver – loss-free control of multiple parallel switched output stages and long cables
- Output relay – activation delay and rapid separation for effective suppression of input and output noise. Automatic control for parallel wiring in redundant systems
- Automatic configuration – mounting changes/ deviations are detected and displayed in IRIS-Net
- Output transformer – transformers (Lundahl LL1517) can be retrofitted as an option

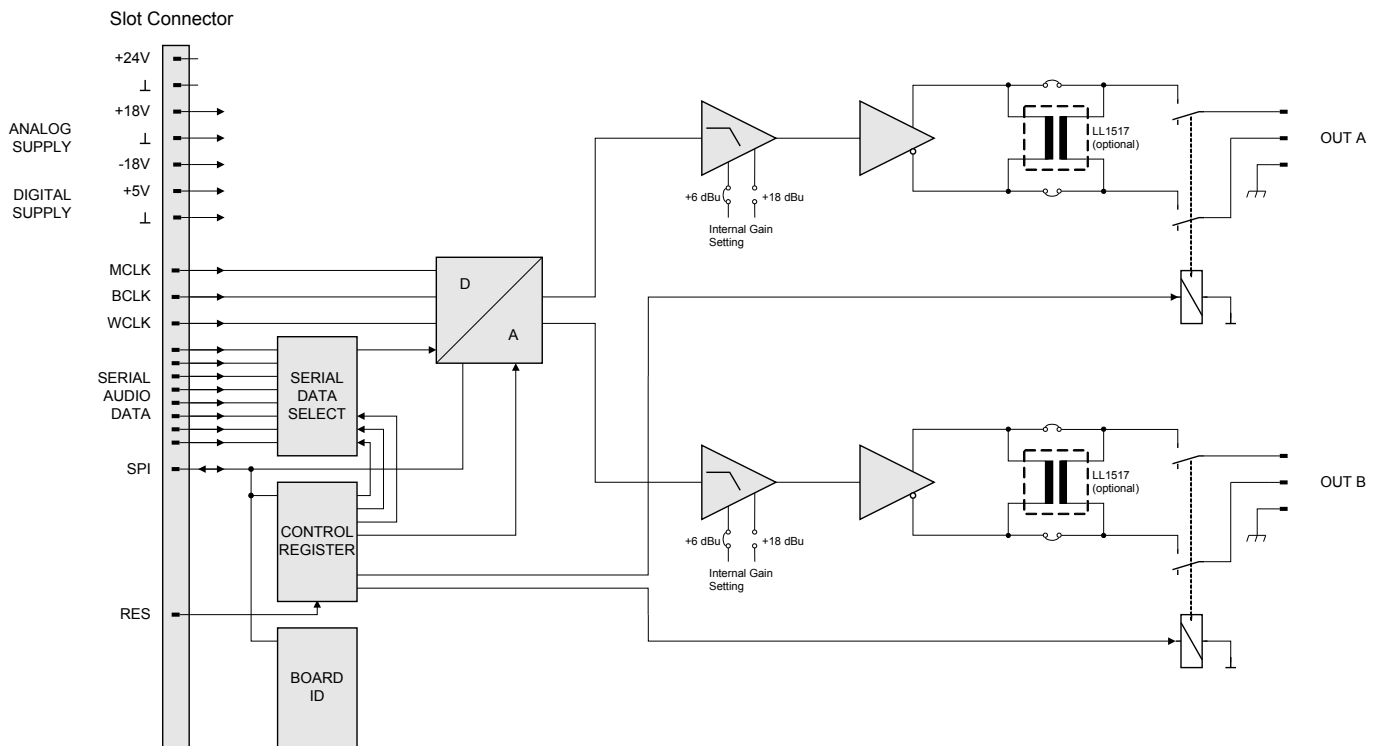
## Parts included

No.	Component
1	DPM AO-1
2	Plug, 3-pin (Phoenix MC 1.5/3-STF-3.81 – no. 18 27 716)
2	Combi-Torx screw M3x10
1	Technical information

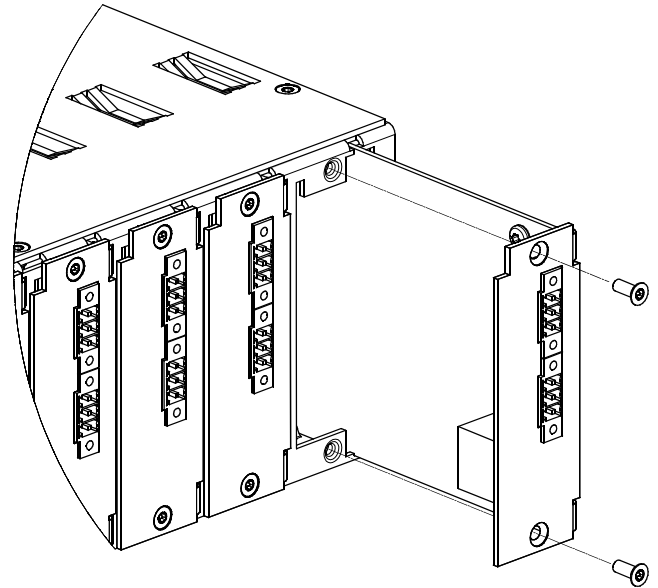
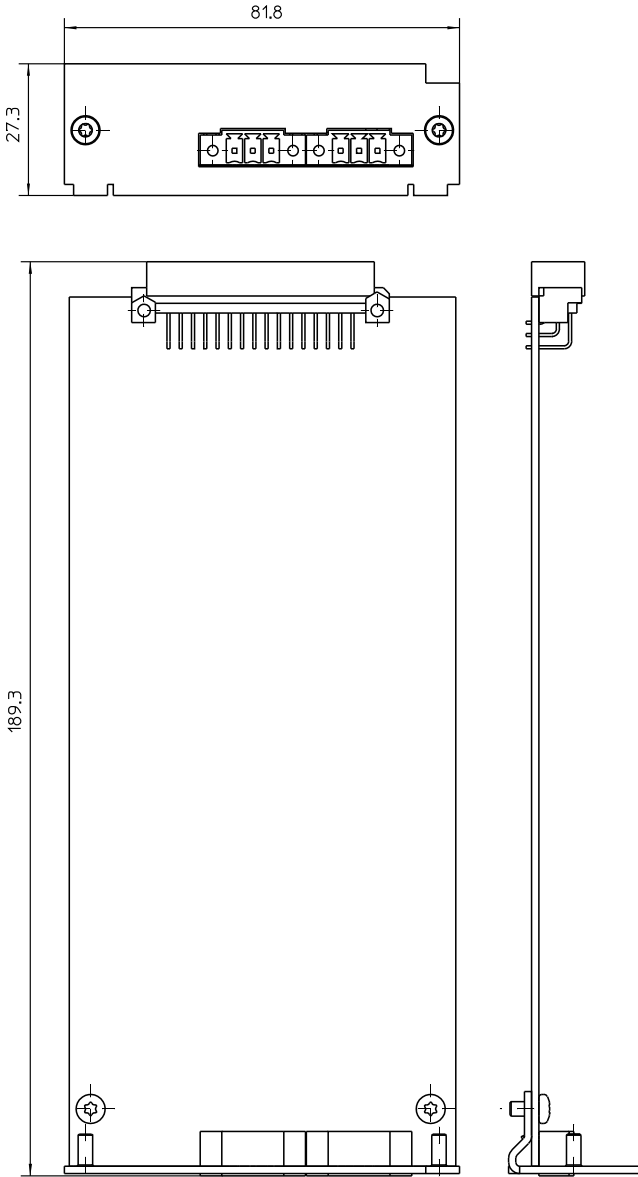
## Technical specifications

Supply voltage/current	+3.3 V DC, ± 0.3 V / 6 mA +5 V DC, ± 0.3 V / 55 mA +18 V DC, ± 0.5 V / 63 mA -18 V DC, ± 0.5 V / 30 mA
Audio outputs	2 x 3-pin Euroblock connectors, electronically symmetrical
• Output level (nominal)	+6 dBu/1.55 V (jumper closed)
• Output level (max. before clip)	+18 dBu/6.15 V (jumper open)
• Output impedance	100 Ω
• Min. load impedance	600 Ω

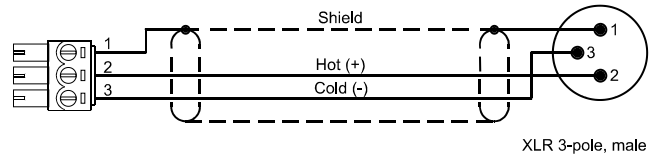
• D/A conversion	24 bit, sigma-delta, 128 times oversampling
Frequency response	20–20,000 Hz (-0.5 dB)
Signal-to-noise ratio (A-weighted)	109 dB typical
THD+N	< 0.003%
Output balance	> 40 dB
Crosstalk	< -110 dB
Sample rate	48 kHz
Data format	24-bit linear D/A conversion, 48-bit processing
Operating temperature	-5 °C to +45 °C
Product dimensions (Width by Height by Depth)	81.8 x 27.3 x 189.3 mm
Net weight	100 g
Optional accessories	
• Output transformer	Type LL1517, Lundahl Transformers, Sweden



Block diagram



*Mounting*



XLR 3-pole, male

*Euroblock connecting cable – XLR*

**Retrofitting output transformer in output A (or output B)**

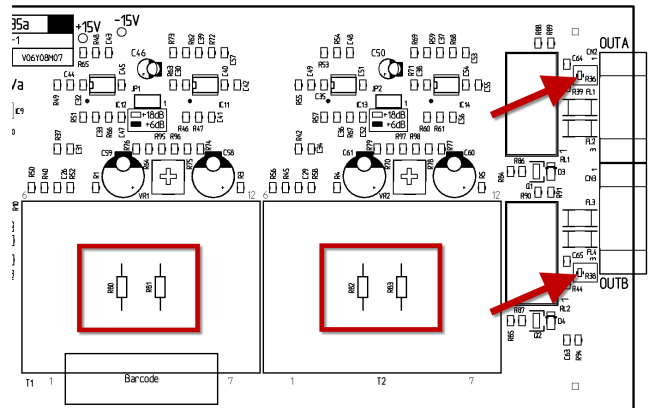
1. Remove R80 and R81 resistors (output B: R82 and R83)
2. If necessary, unsolder the eleven soldering points for the transformer on the circuit board
3. Bridge the two soldering points of R36 (output B: R38) (0 W). See arrow in the diagram
4. Solder the transformer (Lundahl LL1517) at position T1 (output B: T2)

*Dimensions*

**Installation/configuration notes**

**Mounting**

1. Switch off the DPM 8016 and disconnect it from the power supply
2. Unscrew the blank panel on the back panel (2 screws at the back)
3. Insert the DPM AO-1 module into the required slot and fix it to the back panel with 2 screws (see the diagram)
4. Connect the DPM 8016 to the mains and switch on
5. The DPM AO-1 module is automatically detected in the device.



*Retrofit the output transformer*

## Ordering information

### DPM AO-1

Order number **F01U121881**

---

### Represented by:

#### Germany:

EVI Audio GmbH  
Sachsenring 60  
94315 Straubing  
Germany

[www.dynacord.com](http://www.dynacord.com)