

# PMX-MM-2 Message Manager



- Two playback channels per module
- Up to 100 messages in CD quality with a total length of 85 minutes
- Two modules can be used per DPM 8016 – up to 4 simultaneous playback channels possible
- Integrated supervision
- Configuration via IRIS-Net, tool for swapping business messages in Online mode

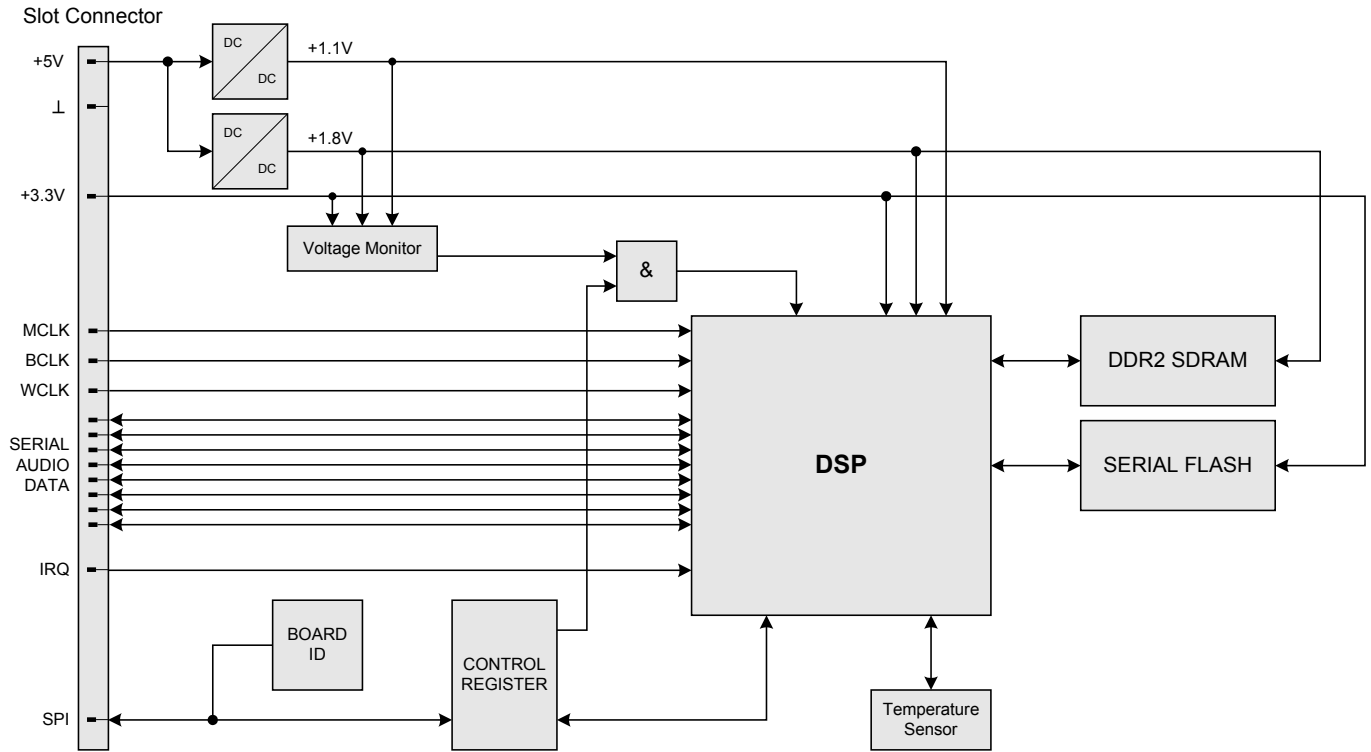
The PMX-MM-2 Message Manager is a fully integrated dual-channel message manager module, designed for the PROMATRIX 8000 system. The message manager is for EVAC messages and alarm signals, as well as commercial messages and chime/pre-chime signals. Up to two modules can be used per DPM 8016. That means that four audio signals can be played simultaneously, for example four messages can be used for a phased evacuation. The PMX-MM-2 allows easy configuration of EVAC and commercial messages, and other customized audio signals by using the IRIS-Net software. A software tool for swapping commercial messages by customers is available, also. Details on functions and features can be found in the corresponding IRIS-Net Help documentation.

## Parts included

Quantity	Component
1	PMX-MM-2 module
2	Screw TORX M3×10
1	Technical information

## Technical specifications

Frequency response	20–20000 Hz (-0.5 dB)
Stored message	16 bit, uncompressed
Message playback	24 bit
Sample rate	48 kHz
Supply current	
• Standby/Idle	25 mA
• Announcement/Alarm	30 mA
Operating temperature	-5 to +45 °C
Electromagnetic environment	E1, E2, E3
Product dimensions (Width × Height × Depth)	81.8 × 27.3 × 189.3 mm
Net weight	85 g

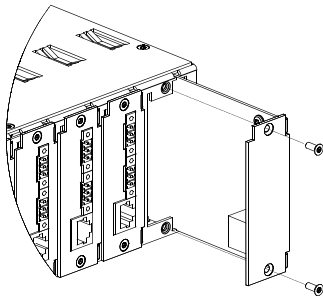


Circuit diagram

## Installation/configuration notes

### Installation

1. Switch off the DPM 8016 and disconnect it from the power supply
2. Remove the blind on the rear panel (2 screws)
3. Insert the module in the desired slot and secure it with 2 screws on the rear panel (see picture)
4. Connect the power supply and switch on the DPM 8016
5. The PMX-MM-2 is now ready to be configured in IRIS-Net, please refer to the IRIS-Net documentation for details.



Bosch Sicherheitssysteme GmbH  
 Robert-Bosch-Ring 5  
 85630 Grasbrunn  
 Germany

www.dynacord.com

© Bosch Sicherheitssysteme GmbH, 2014 | Data subject to change without notice  
 Document Number F01U270366 | Vs06 | 07. Oct 2014

## Certifications and approvals

The PMX-MM-2 meets the following standards:

- EN 55103-1
- EN 55103-2
- EN 60945
- EN 54-16

## Ordering information

### PMX-MM-2 Message Manager

Order number **F.01U.275.852**