

PMX-15CST Call station



- Call station with soft touch button for PROMATRIX 6000 system
- 15 freely programmable buttons
- Customization via built-in display and keys
- Provision for installing emergency button and key switch
- EN 54-16 and ISO 7240-16 system certification

The PMX-15CST is a call station for the PROMATRIX 6000 system.

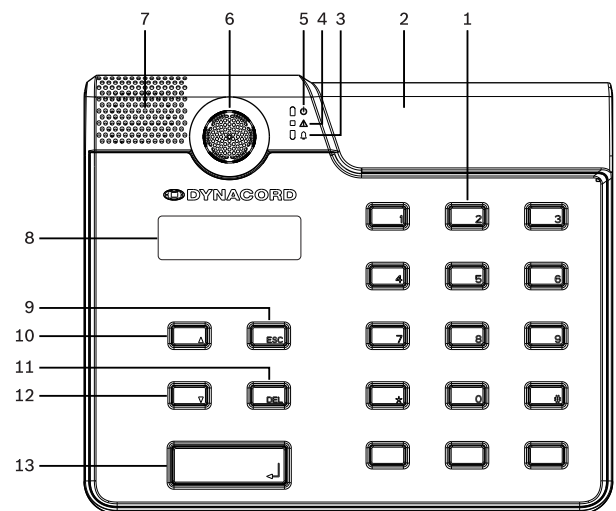
As standard, the call station has a gooseneck microphone with pop shield and permanent monitoring, a total of 20 buttons, an illuminated LC display, and an integrated loudspeaker.

The call station can be modified to suit the user's requirements by connecting up to five PMX-20CSE call station extensions, each with 20 customizable selection buttons.

Other properties:

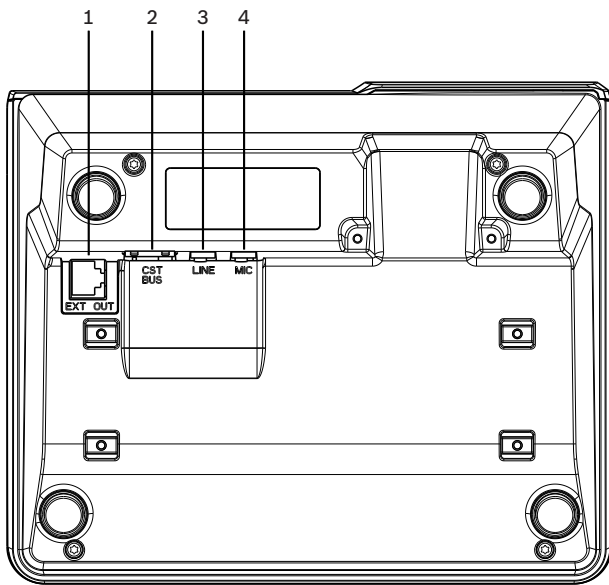
- Five menu/function keys (pre-programmed) - one green or one yellow indicator light per button
- 15 selection buttons (customizable) - two indicator lights (green/red) per button
- Numeric zone selection (can be activated during IRIS-Net configuration)
- Label with transparent covering - the label can be changed at any time
- Can be used as a standing or desk/rack flush-mounted device
- Internal monitoring with error logging - complies with all relevant national and international standards
- Easy configuration - use of the Configuration Wizard or IRIS-Net software

System overview



- 1 Selection buttons
- 2 Button installation slots
- 3 Voice alarm indicator light

- 4 Combined fault warning indicator light
- 5 Power indicator light
- 6 Microphone
- 7 Loudspeaker
- 8 Display
- 9 ESC button
- 10 ↑ button
- 11 DEL button
- 12 ↓ button
- 13 ↵ button



- 1 EXT OUT port
- 2 CST BUS port
- 3 LINE port
- 4 MIC port

Parts included

Quantity	Component
1	PMX-15CST
1	Patch cable (3 meters)
7	Blank paper strips
1	Strain relief (bracket)
2	Screws for strain relief
1	Cover release tool

Quantity	Component
1	Operation manual
1	Important safety instructions

Technical specifications

Electrical

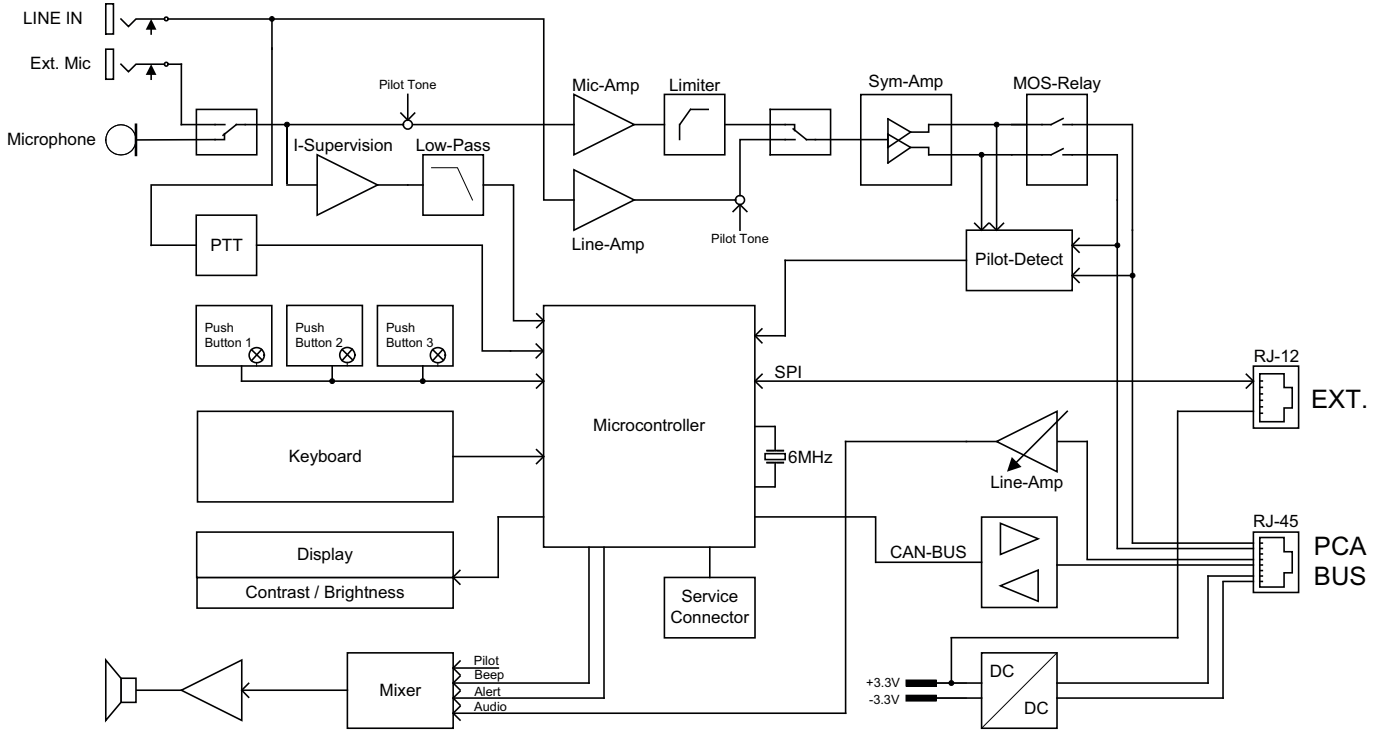
CAN BUS port	10, 20, or 62.5 kbit/s, 1 × RJ-45, max. length 1000 m
Maximum mic input level	-21 dBu
Maximum line input level	+4 dBu
Maximum NF output level	+12 dBu
Microphone:	<ul style="list-style-type: none"> • Nominal acoustic input level • Frequency response • Signal to noise ratio
	<ul style="list-style-type: none"> • 85 dB SPL • 250 Hz - 10 kHz (-6dB) • > 60dB
Buttons	5 pre-programmed, 15 programmable zone/function keys
Indicator lights	Power (green), Fault (yellow), Alarm (red) Green or yellow LED per pre-programmed menu button Green and red LED per programmable zone/function key
LC display	Back-lit LC display (122 × 32 pixel)
Ports	1 CST BUS port (Control data + Audio + Power supply, RJ-45) 1 audio source (line level, phone jack) 1 microphone port (phone jack) 1 EXT OUT port (call station extension, RJ-12)
DC power input	15-58 V
Maximum supply current (without call station extensions)	Standby/Idle/Announcement/Alert: 24 V / 80 mA / 1.92 W
Maximum supply current (with 5 call station extensions)	Standby/Idle/Announcement/Alert: 24 V / 190 mA / 4.56 W

Environmental

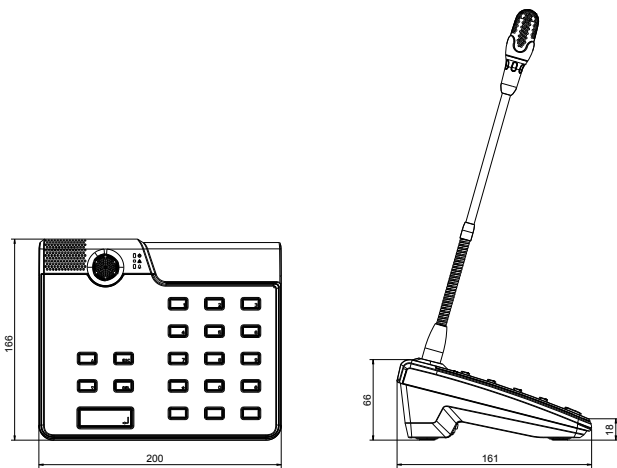
Operating temperature	-5 °C to +45 °C (+23 °F to +113 °F)
Storage temperature	-40°C to +70 °C (-40 °F to +158 °F)
Humidity (non-condensing)	5% to 90%
Altitude	Up to 2000 m

Mechanical

Dimensions (HxWxD)	166 mm x 200 mm x 66 mm (without microphone)
Weight (net)	0.6 kg
Mouting	Standalone; 19 in. rack
Color	Black



Circuit diagram



Dimensions of Call Station

Certifications and approvals

Emergency standard certifications

Europe	EN 54-16
International	ISO 7240-16

Environmental directive compliance

Safety	EN 60065
Immunity	EN 50130-4
Emissions	EN 61000-6-3
Environment	EN 50581
Maritime	EN 60945

Conformity

Europe	CE/CPR
Environment	RoHS

Ordering information

PMX-15CST Call station

Call station for the PROMATRIX system; has gooseneck microphone with pop shield and permanent monitoring.

Order number **PMX-15CST**

Accessories

PMX-20CSE Call station extension

Call station extension for the PROMATRIX system; has 20 customizable selection buttons.

Order number **PMX-20CSE**

PDC-121963 EB DPC BUILT IN ALARM SWITCH DPC 8000 SE

Optional emergency button that can be installed in the PMX-15CST call station.

Order number **PDC-121963**

PDC-121721 NRS90231 BUILT IN KEY SWITCH

Optional key switch that can be installed in the PMX-15CST Call station.

Order number **PDC-121721**
