



Technische Informationen

Engineering Data Sheet

PSD 215

15" Powered Subwoofer

Features:

- 15" Powered Subwoofer
- 128 dB max. SPL
- 2 x 1000 W RMS Class-D Amplifier
- 24 bit one-into-three DSP controller
- DSP presets for DYNACORD fullrange speakers
- Line In, Line Thru, TOP out, SUB out
- DSP out for delay lines, front fills,...
- Integrated Graphic EQ and signal generator



Wir weisen ausdrücklich darauf hin, dass bei gehängten Lautsprecherboxen die einschlägigen Sicherheitsbestimmungen zu beachten sind. Es muss unbedingt qualifizierte Fachberatung in Anspruch genommen werden!

We expressly point out that the relevant safety regulations must be observed for "flying" loudspeaker systems. It is imperative that qualified expert advice is sought.

WARNING:

**THIS LOUDSPEAKER SYSTEM CAN PERMANENTLY DAMAGE HEARING!
USE EXTREME CARE WHEN SETTING SOUND PRESSURE LEVELS!**

DANGER:

CONSULT A CERTIFIED STRUCTURAL ENGINEER BEFORE ANY ATTEMPT TO SUSPEND THIS LOUDSPEAKER! LOUDSPEAKER CAN FALL FROM IMPROPER SUSPENSION, RESULTING IN SEVERE INJURY AND DAMAGE OF PROPERTY. DO NOT SUSPEND OR MOUNT ANY OTHER PRODUCT OR DEVICE FROM THIS LOUDSPEAKER ENCLOSURE! USE GRADE 5 HARDWARE OR BETTER ONLY!

Property	PSD 215
Order No.	F01U215169
Cabinet	Powered Subwoofer 1 x 15" vented design
Maximum Amplifier Output Capability	3200 W
Amplifier Power RMS	2 x 1000 W
Amplifier Output TOP SPEAKER	1000 W @ 4 Ohm
Amplifier Output EXTERNAL SUB	500 W @ 8 Ohm
Output Stage Topology, amplifier	Class D
Signal/Noise-Ratio power amplifier, A-weighted	101 dB
DIM 30 power amplifier, 3.15 kHz, 15 kHz	< 0.05%
IMD-SMPTE power amplifier, 60 Hz, 7 kHz	< 0.15%
Max. SPL 1 m / calc.	128 dB
Frequency Range (-10 dB)	40 Hz to X-Over
Input Level	+8 dBu
Input Impedance	20 kOhm
Presets	20 factory presets, 5 user memories
Display	128 x 64 pixels, OLED
Sub Transducer	DVX-3159A
Power Requirement	100 to 240 V AC, 50 to 60 Hz, 5.2 to 2.7 A
Operating Temperature Range	0 °C to 40 °C
Protection	
Amplifier	Audio Limiters, High Temperature, DC, HF, Short Circuit, Peak Current Limiters, Turn-on Delay, Back EMF
Switching Mode Power Supply	Inrush Current Limiters, Mains Over/Undervoltage, Mains Overcurrent, High Temperature
Dimensions (W x H x D)	640 mm x 465 mm x 694 mm
Net Weight	39.6 kg
Shipping Weight	43.6kg
Enclosure material	15 mm Multi-ply wood
Finish	Black, scratch-proof
Grille	Steel, black finish
Wheels	4
Handles	2
Thread plate for distance piece	M20
Warranty	36 months
Recommended extensions	
TS 400 Vertical Array Cabinet	F01U215165
PSE 215 Passive Subwoofer Extension	F01U215171
Optional Accessories	
Dust Cover	SH-PSD-E 215: F01U215173

Beschreibung

Der DYNACORD PSD 215 ist ein Hochleistungs-Subwoofer mit integriertem 2-Kanal-Leistungsverstärker (Class D, 2 x 1000 Watt RMS an 4 Ohm) und einem 24 Bit 1-in-3 DSP-Controller mit interner 48 Bit Double-Precision Auflösung. Er eignet sich damit hervorragend zum sehr einfachen und komfortablen Aufbau von aktiven 2-Weg-Systemen ohne zusätzliche externe Endstufen und Controller.

Der PSD 215 realisiert den idealen Kompromiss zwischen kleinstmöglicher Gehäusegröße und höchster akustischer Leistung. Er ist mit einem 15" Electro-Voice DVX3159 Lautsprecher bestückt, der speziell zum Einsatz in kompakten Subwoofern entwickelt wurde und beeindruckt trotz seiner sehr geringen Abmessungen mit einem fundamentalen Tiefbass und hohem Schalldruck.

Der DYNACORD PSE 215 ist die passive Variante des PSD 215 ohne Verstärker-Modul und ohne DSP-Controller.

Description

The DYNACORD PSD 215 is equipped with an integrated two-channel Class D power amplifier (2 x 1000 watts RMS into 4 ohms) and 24-bit one-into-three DSP controller with 48-bit double precision internal resolution, eliminating the need for external controllers and power amplifiers.

The PSD 215 is equipped with a 15" Electro-Voice DVX3159 woofer specially developed for use in compact subwoofers. It sets a new standard for minimum size and maximum acoustic output while maintaining impressive deep bass high sound pressure levels.

The DYNACORD PSE 215 is the passive versions of the PSD sub sharing the same dimensions, transducer configuration, and acoustic characteristics as the PSD 215.

Illustration 1: Dimensions

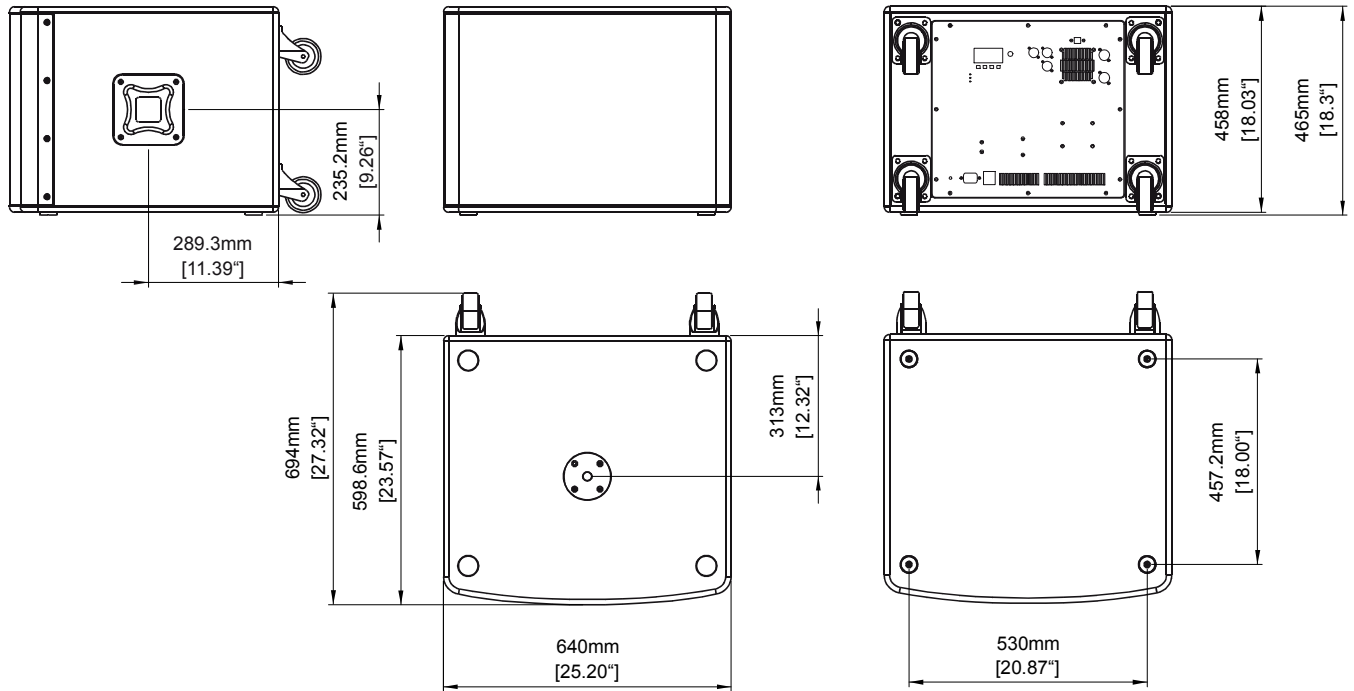


Illustration 2: Rear Panel

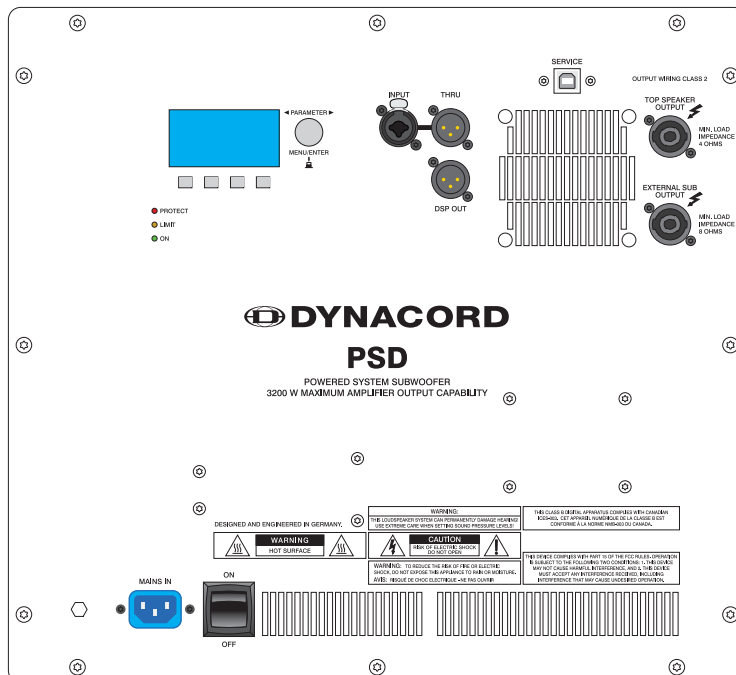


Illustration 3: Frequency Response

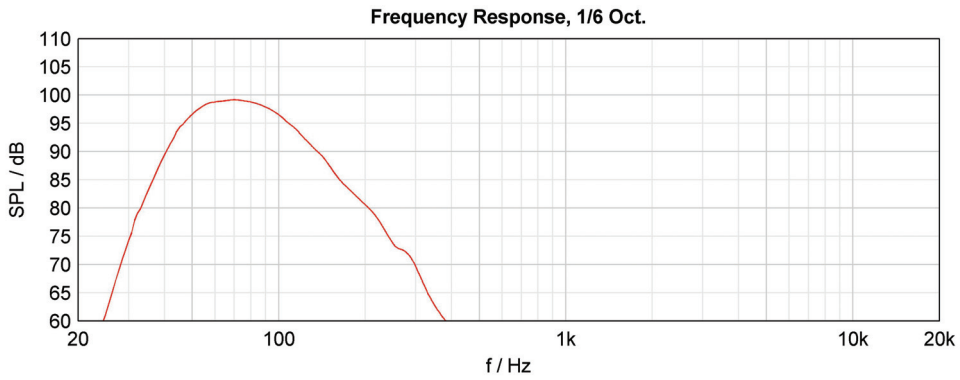
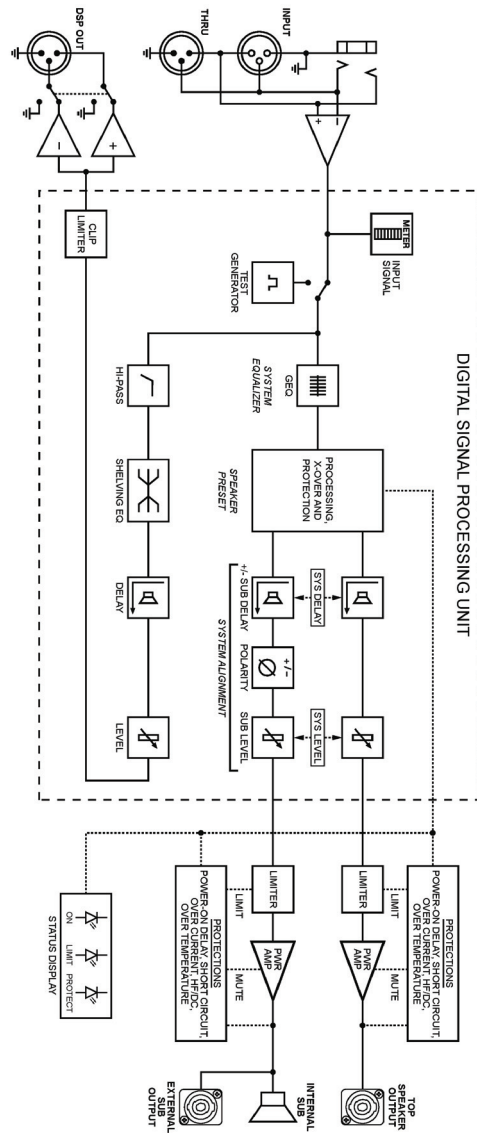


Illustration 4: Block diagram



12000 Portland Avenue South, Burnsville, MN 55337, USA
 Phone: +1 952/844-4051, Fax: +1 952/884-0043

www.dynacord.com

© Bosch Communications Systems 06/2012
Part Number F01U215169 Vs 03

Europe, Africa, and Middle East only. For customer orders, contact Customer Service at:
+49 9421-706 0 Fax: +49 9421-706 265

Asia & Pacific only. For customer orders, contact Customer Service at:
+65 6571 2534 Fax: +65 6571 2699

For technical assistance, contact Technical Support at: **+49 9421-706 0**

Specifications subject to change without notice.