

PMX-15ECS Emergency call station



- Call station with soft touch button
- Built-in alarm buttons and key switch for emergency use
- 15 freely programmable buttons
- Customization via built-in display and keys
- EN 54-16 and ISO 7240-16 system certification

The PMX-15ECS is a call station for the PROMATRIX system.

The emergency call station has a gooseneck microphone with pop shield and permanent monitoring, a total of 20 buttons, an illuminated display panel, and an integrated loudspeaker, like the standard call station PVA-15CST. In addition, two alarm buttons with protective covers and a key switch are factory fitted as standard.

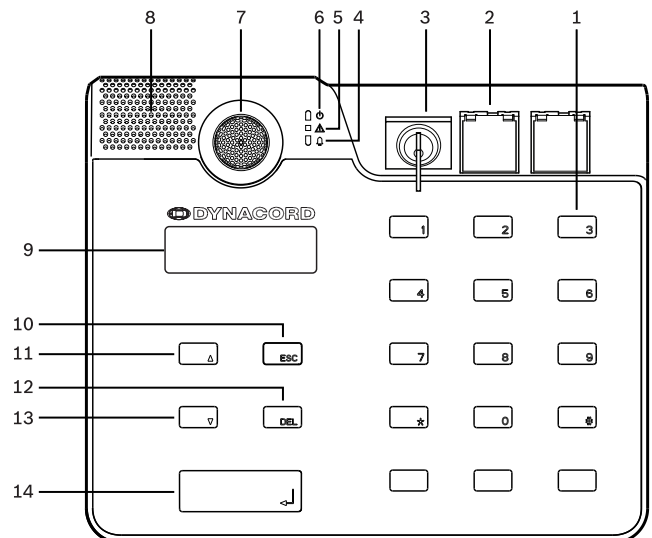
The call station can be modified to suit the user's requirements by connecting up to five PMX-20CSE call station extensions, each with 20 customizable selection buttons.

Other properties:

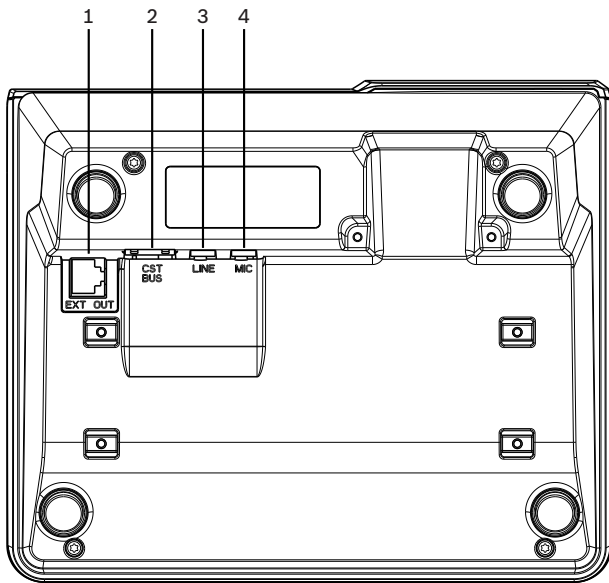
- Five menu/function keys (pre-programmed) - one green or one yellow indicator light per button
- 15 selection buttons (customizable) - two indicator lights (green/red) per button
- Numeric zone selection (can be activated during IRIS-Net configuration)
- Label with transparent covering - the label can be changed at any time
- Can be used as a standing or desk/rack flush-mounted device
- Internal monitoring with error logging - complies with all relevant national and international standards

- Easy configuration - use of the Configuration Wizard or IRIS-Net software

System overview



- 1 Selection buttons
- 2 Alarm buttons
- 3 Area for factory fitted key switch and alarm buttons
- 4 Voice alarm indicator light
- 5 Combined fault warning indicator light
- 6 Power indicator light
- 7 Microphone
- 8 Loudspeaker
- 9 Display
- 10 ESC button
- 11 ↑ button
- 12 DEL button
- 13 ↓ button
- 14 ↵ button



- 1 EXT OUT port
- 2 CST BUS port
- 3 LINE port
- 4 MIC port

Parts included

Quantity	Component
1	PVMX-15ECS
1	Patch cable (3 meters)

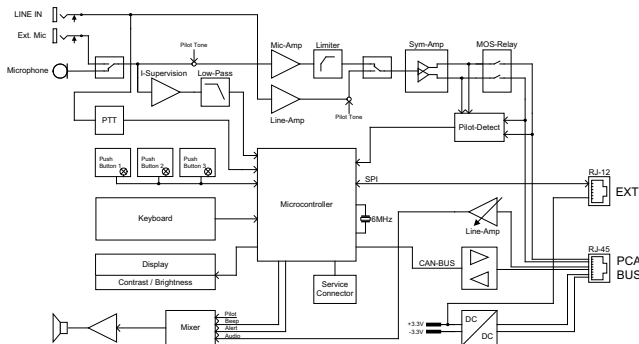
Quantity	Component
7	Blank paper strips
1	Strain relief (bracket)
2	Screws for strain relief
1	Cover release tool
1	Operation manual
1	Important safety instructions

Technical specifications

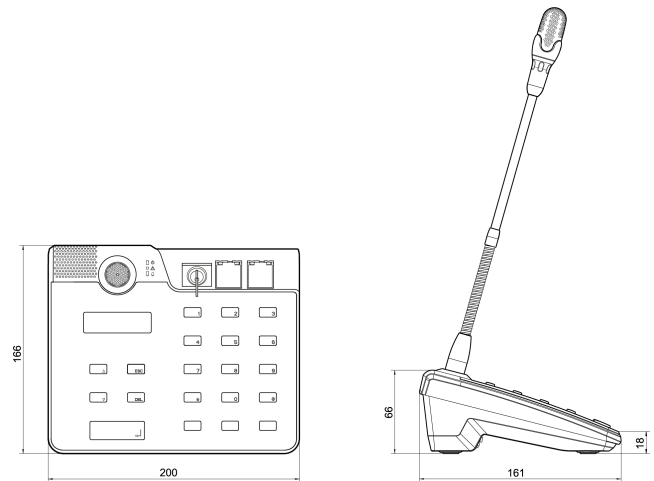
Electrical

CAN BUS port	10, 20, or 62.5 kbit/s, 1 × RJ-45, max. length 1000 m
Maximum mic input level	-21 dBu
Maximum line input level	+4 dBu
Maximum NF output level	+12 dBu
Microphone	
Nominal acoustic input level	85 dB SPL
Frequency response	250 Hz - 10 kHz (-10dB)
Signal to noise ratio	> 60dB
Buttons	5 pre-programmed, 15 programmable zone/function keys
Built-in alarm buttons	2 alarm buttons (with transparent cover) for broadcasting an alarm signal. The button feed lines are monitored by the call station.
Built-in key switch	Key switch for preventing unauthorized use of the call station. The key switch feed lines are monitored by the call station.
Indicator lights	Power (green), Fault (yellow), Alarm (red) Green or yellow LED per pre-programmed menu button Green and red LED per programmable zone/function key
LC display	Back-lit LC display (122 × 32 pixel)

Ports	1 CST BUS port (Control data + Audio + Power supply, RJ-45) 1 audio source (line level, phone jack) 1 microphone port (phone jack) 1 EXT OUT port (call station extension, RJ-12)
DC power input	15-58 V
Maximum supply current (without call station extensions)	Standby/Idle/Announcement/Alert: 24 V / 80 mA / 1.92 W
Maximum supply current (with 5 call station extensions)	Standby/Idle/Announcement/Alert: 24 V / 190 mA / 4.56 W
Environmental	
Operating temperature	-5 °C to +45 °C (+23 °F to +113 °F)
Storage and transport temperature	-25 °C to +70 °C (-13 °F to +158 °F)
Humidity (non-condensing)	5% to 90%
Altitude	Up to 2000 m
Mechanical	
Color	RAL 9017 (traffic black)
Product dimensions (Height x Width x Depth)	166 mm x 200 mm x 66 mm (without microphone)
Net weight	0.7 kg
Shipping weight	1.3 kg



Circuit diagram



Dimensions of Call Station

Certifications and approvals

Emergency standard certifications

Europe	EN 54-16
International	ISO 7240-16

Environmental directive compliance

Safety	EN 60065
Immunity	EN 50130-4
Emissions	EN 61000-6-3
Environment	EN 50581
Maritime	EN 60945

Conformity

Europe	CE/CPR
Environment	RoHS

Ordering information

PMX-15ECS Emergency call station

Emergency call station for PROMATRIX system with built-in alarm buttons and key switch.

Order number **PMX-15ECS**

Accessories

PMX-20CSE Call station extension

Call station extension for the PROMATRIX system; has 20 customizable selection buttons.

Order number **PMX-20CSE**

Bosch Security Systems B.V.
Torenallee 49
5617 BA Eindhoven
Netherlands

www.dynacord.com

© Bosch Sicherheitssysteme GmbH, 2020 | Data subject to change without notice
Document Number | Vs2 | 28. Apr 2020