



“The installation is neat and efficient and the quality maintains the standard of ambience we were aiming for.”

Richard Young, General Manager at Great Fosters

SOUND SYSTEM SOLUTIONS

FASHION STORE

Business that bounces back

An investment that lasts

The assurance of superior performance and reliability from two of the most trusted names in pro audio. We offer proven product solutions with the added value of the industry's best customer support.

Ambience is everything

Creating the right atmosphere is essential to your business's success, and quality sound is a key element of an enjoyable experience. Our systems can help set the mood across every part of your property, all while blending into the background.

Energy Saving Solutions

More and more companies are required to reduce their carbon footprints and overall building energy costs to meet strict environmental regulations. Dynacord amplifiers have a proven track record when it comes to supporting energy savings without sacrificing any performance. The overall power consumption can be significantly reduced thanks to ecoRail technology, both protecting the environment and significantly lowering the total cost of ownership.

Flexible options

Our extensive speaker portfolio includes ceiling, pendant, portable and Electro-Voice surface-mount models, giving you background and foreground music options to suit every space and every budget – always with best-in-class sound quality and reliability.

FASHION STORE

SYSTEM EXAMPLE FOR SMALL STORES & BOUTIQUES

System overview

EVID ceiling and pendant loudspeakers provide full-range coverage for the retail floor, office spaces and even outdoor areas. EVID subwoofers can be added to provide a warmer or fuller-sounding audio solution.

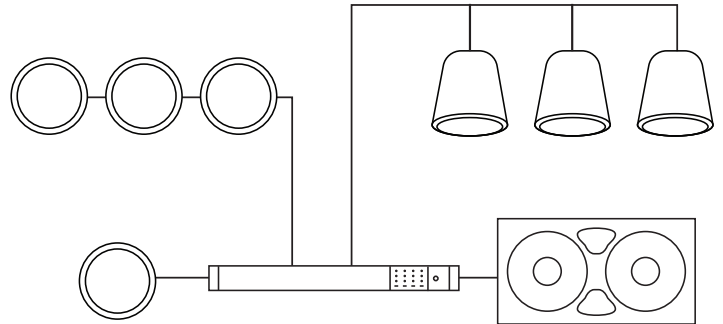
System benefits

The EVID loudspeaker family is designed to be mixed and matched depending on the installation environment, with low-profile designs that blend in to their surroundings.

Versatile four-channel V600:4 power amplifier at an attractive price point, recommended for background music and announcements in small to mid-sized commercial installations.

Unique Dynacord technologies like ecoRail and Variable Load Drive (VLD) for reduced cost of ownership, with low energy consumption and flexible power usage.

Easy handling and trouble-free amplifier operation – even under demanding power conditions – in a compact form factor.



DYNACORD | AMPLIFIERS

1x V600:4 (driving all loudspeakers)

ELECTRO-VOICE | LOUDSPEAKERS

3x EVID C6.2 (ceiling loudspeakers for drop-tile)

3x EVID-P6.2 (pendant loudspeakers for open ceilings)

1x EVID C10.1 (ceiling subwoofer for low-end support)

1x EVID-S10.1D (subwoofer for low-end support)



If you need it, we've got it

Electro-Voice offers the industry's most complete portfolio of installation-dedicated loudspeaker solutions, with acoustically and aesthetically matched surface-mount, ceiling-mount, pendant-mount and flush-mount models for spaces of every size and shape, indoors or outdoors.

Models from each series may be mixed and matched for consistent performance across any application, providing system designers with complementary building blocks to address the needs of a wide range of venues and acoustical challenges.