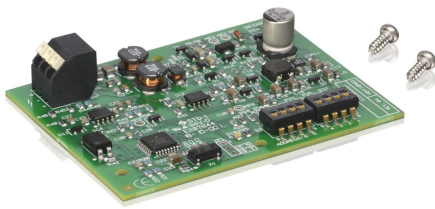


EOL 8001 End-of-line supervision module



- Compatible with 100 V, 70 V, or 50 V loudspeaker lines
- Module is powered via loudspeaker line (pilot tone)
- A single loudspeaker line can have multiple modules
- Up to 60 modules can be connected to one amplifier output channel
- EN 54-16 system certification

The End-of-line (EOL) supervision module monitors the integrity of a loudspeaker line and can be used in applications where continuous business music is requested.

In combination with the EOL master integrated in every Controller and Router of the PROMATRIX 6000 system, or in every Amplifier of the PROMATRIX 8000 system, the loudspeaker line can be monitored for short and open circuits.

The status LED on the module can be used to check the installation. For more information, refer to the user documentation for the IRIS-Net, Controller, Router, or Amplifier.

Parts included

Quantity	Component
1	End-of-line supervision module
1	Set of screws
1	User manual

Technical specifications

The following technical specifications are valid for EOL 8001 hardware version 1.2 and firmware version 1.3 in combination with PROMATRIX 6000 (PMX-4CR12 HW

02/00, PMX-4R24 HW 02/00) or PROMATRIX 8000 (DPA 8150, DPA 8225, DPA 8412). Previous hardware and software versions can be used in the same system; however, the lowest C_g must be taken as the maximum C_g for the system.

Electrical

Power supply	18-22 kHz, 8 V _{eff} , 20 mW
--------------	---------------------------------------

Wire limits PROMATRIX 6000

Minimum R_G	3 M Ω
Maximum C_g	2500 nF
Number of modules	60

Wire limits PROMATRIX 8000

Minimum R_G	6 M Ω
Maximum C_g	300 nF
Number of modules	30

Mechanical

Product dimensions (Height x Width x Depth) 15 mm x 78 mm x 60 mm

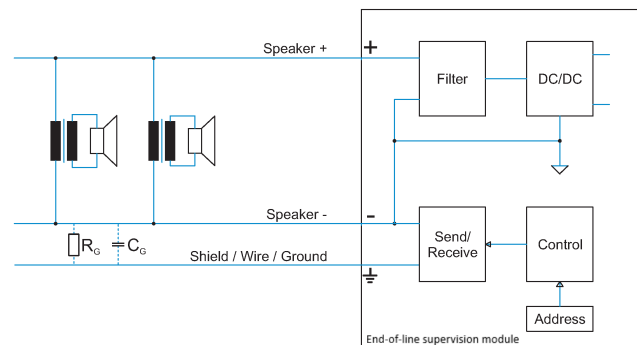
Net weight 30 g

Environmental

Operating temperature -5 °C to +45 °C
(+23 °F to +113 °F)

Humidity (non-condensing) 5% to 90%

Altitude Up to 2000 m



Circuit diagram

Certifications and approvals**Emergency standard certifications**

Europe EN 54-16

Environmental directive compliance

Safety EN 60065

Immunity EN 50130-4

Emissions EN 61000-6-3

Environment EN 50581

Maritime EN 60945

Conformity

Europe CE/CPR

Environment RoHS

Ordering information**EOL 8001 End-of-line supervision module**

Module for monitoring the loudspeaker line for short and open circuits.

Order number **EOL 8001**

Bosch Security Systems B.V.
Torenallee 49
5617 BA Eindhoven
Netherlands

www.dynacord.com

© Bosch Sicherheitssysteme GmbH, 2020 | Data subject to change without notice
Document Number F.01U.143.058 | Vs5 | 28. Apr 2020