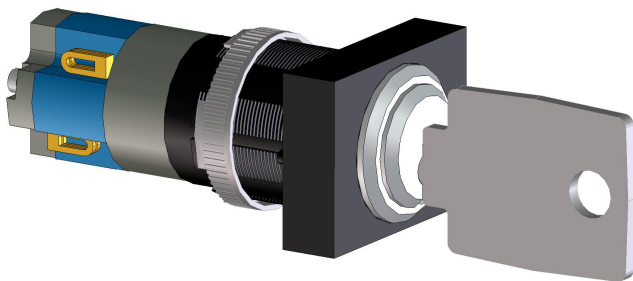


# PDC-121721 NRS90231 BUILT IN KEY SWITCH



- Key switch for call station
- EN 54-16 and ISO 7240-16 system certification

The NRS 90231 is an optional key switch that can be installed in the PMX-15CST Call station. The feed lines of the key switch are monitored for short-circuits and interruptions.

For more information, refer to the call station manual.

## Parts included

Quantity	Component
1	Key switch
1	Preconfigured 4-pin connecting cable
2	Resistor 10 kΩ
1	Installation note

## Technical specifications

### Mechanical

Product dimensions (Height x Width x Depth)	45 mm x 19 mm x 24 mm
Net weight	0.03 kg
Shipping weight	0.04 kg

### Environmental

Operating temperature	-5 °C to +45 °C (+23 °F to +113 °F)
Storage and transport temperature	-25 °C to +70 °C (-13 °F to +158 °F)
Humidity (non-condensing)	5% to 90%
Altitude	Up to 2000 m

## Installation/configuration notes

### Assembly in call station

1. Disconnect the call station from all connectors.
2. Unscrew the call station baseplate.
3. Unplug the connection cable from the CN1 plug connector.
4. Prepare the installation location. Use a sharp object (knife, scribe, or similar) to carefully punch through and cut out the pre-cut circle on the back housing. Perform any follow-up work that may be required to the installation location (e.g. filing, trimming).
5. Bore through the pre-cut side opening for the holding pin of the key switch cover.
6. Align the switch and screw tightly in place with the supplied knurled screw.

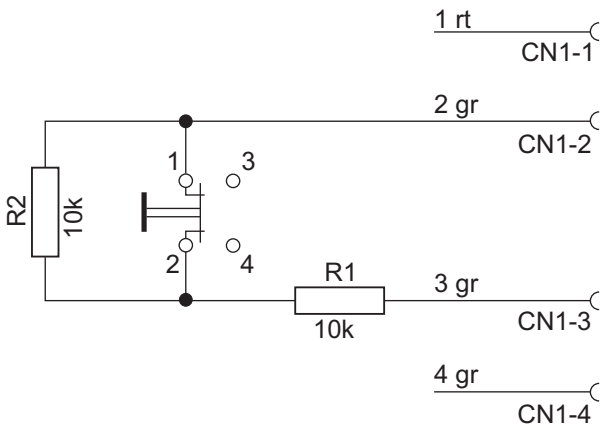
- The supplied 4-pin cable and the resistors must be connected as shown in the following figures, depending on the intended purpose of the key switch.

**Notice!**

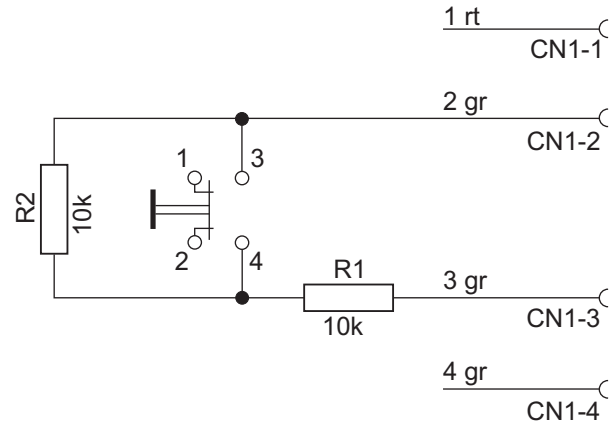


Connect the key switch as shown in the following figure (normally closed contact, NCC) to lock the call station via the key switch!

- Note the connection sequence of the ribbon cable. The two external cables 1 (red) and 4 (green) must be cut as close to the cut-off point as possible and isolated. The two internal cables 2 (green) and 3 (green) must be soldered to switch connections 3 and 4. The polarity is not important.
- Depending on whether the right/middle/left installation location will be used, plug the ribbon cable into plug connector CN201/CN202/CN203 on the circuit board.
- Plug the connecting cable into CN1 again.
- Re-attach the call station baseplate.
- Attach the connections.
- Configure the key switch in IRIS-Net.



Connecting the key switch as normally closed contact (NCC) for key lock function



Connecting the key switch as normally open contact (NOC) for special purposes

### Certifications and approvals

#### Emergency standard certifications

Europe	EN 54-16
International	ISO 7240-16

#### Environmental directive compliance

Immunity	EN 50130-4
Emissions	EN 61000-6-3
Environment	EN 50581
Maritime	EN 60945

#### Conformity

Europe	CE/CPR
Environment	RoHS

### Ordering information

**PDC-121721 NRS90231 BUILT IN KEY SWITCH**  
 Optional key switch that can be installed in the PMX-15CST Call station.  
 Order number **PDC-121721**