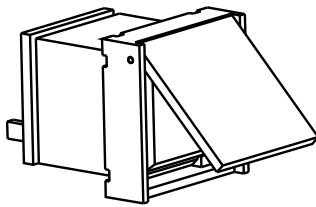


PDC-121963 EB DPC BUILT IN ALARM SWITCH DPC 8000 SE



- Alarm button for call station
- EN 54-16 and ISO 7240-16 system certification

The EB DPC is an optional emergency button for installation in the PROMATRIX call stations. For more information, refer to the call station manual.

Parts included

Quantity	Component
1	Button element with cover
1	Preconfigured 4-pin connecting cable
1	Installation note

Technical specifications

Mechanical

Product dimensions (Height x Width x Depth)	30 mm x 21 mm x 21 mm
Net weight	0.01 kg
Shipping weight	0.02 kg

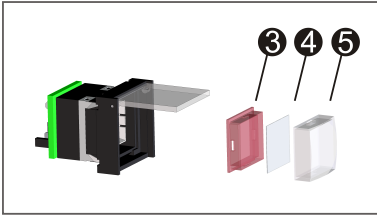
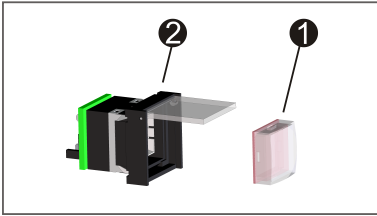
Environmental

Operating temperature	-5 °C to +45 °C (+23 °F to +113 °F)
Storage and transport temperature	-25 °C to +70 °C (-13 °F to +158 °F)
Humidity (non-condensing)	5% to 90%
Altitude	Up to 2000 m

Installation/configuration notes

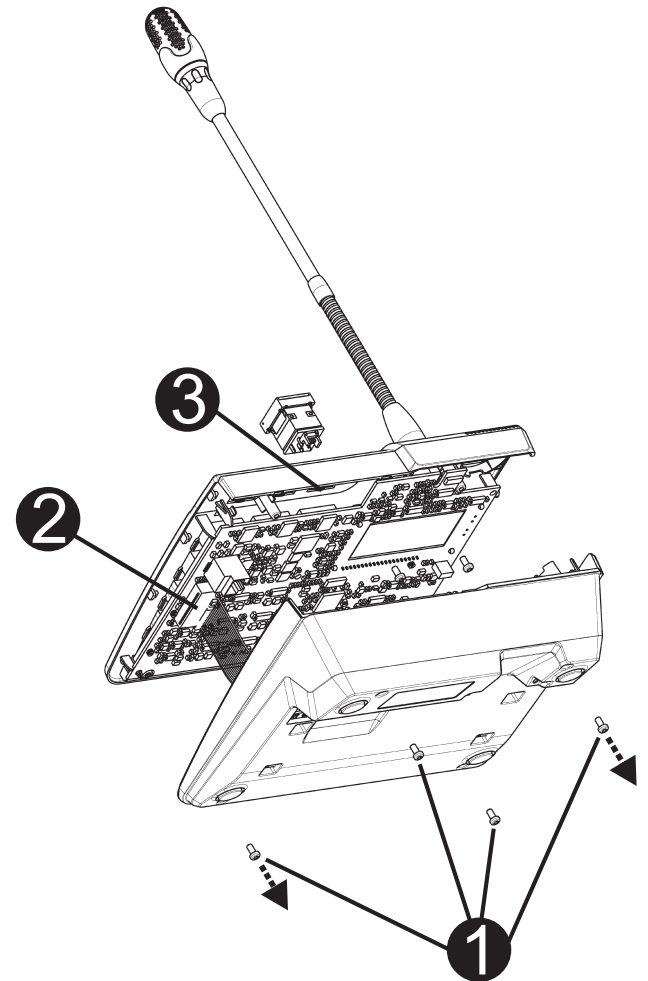
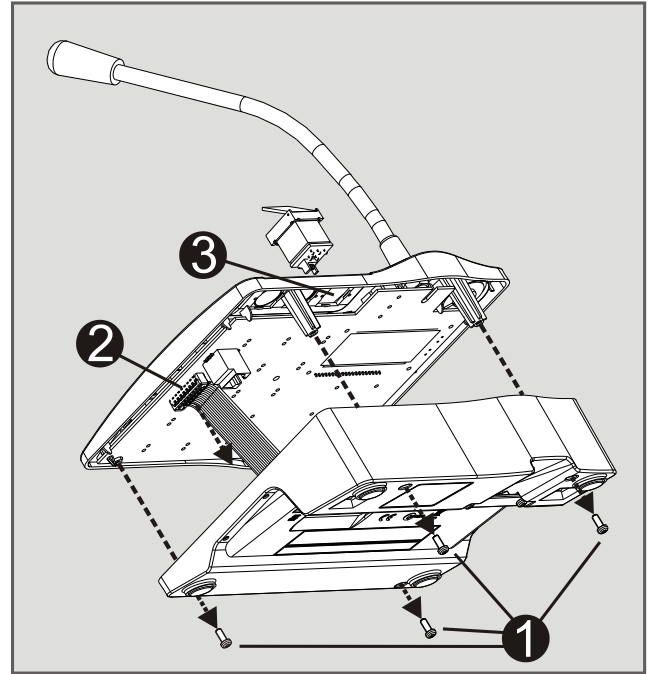
Labeling

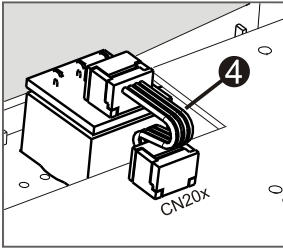
1. Remove button ❶ from housing ❷
2. Remove red diffusor ❸ from lens ❹ using a sharp tool (such as a knife)
3. Label the film insert ❺
4. Re-assemble the button including the film insert and mount into the housing ❷



Assembly in call station

1. Disconnect the call station from all connectors.
2. Unscrew the call station baseplate (4 screws ①).
3. Carefully remove the baseplate from the upper part, start on the top left corner of the call station.
4. Unplug the connecting cable from the CN1 plug connector ②.
5. Prepare installation location ③: Use a sharp object (scriber or similar) to carefully punch through and cut out the pre-cut rectangle on the inside of the housing. Perform any follow-up work that may be required to the installation location (e.g. filing, trimming).
6. Mount the button into the installation location, and press in evenly (it must be possible for the cover cap to open upward).
7. Depending on whether the right/middle/left installation location is used, plug the ribbon cable ④ into plug connector CN201/CN202/CN203 on the circuit board.
8. Plug the connecting cable into CN1 again.
9. Carefully re-attach the call station baseplate.
10. Re-connect the connections.
11. Configure the button using the software.





Certifications and approvals

Emergency standard certifications

Europe	EN 54-16
International	ISO 7240-16

Environmental directive compliance

Immunity	EN 50130-4
Emissions	EN 61000-6-3

Environmental directive compliance

Environment	EN 50581
Maritime	EN 60945

Conformity

Europe	CE/CPR
Environment	RoHS

Ordering information

PDC-121963 EB DPC BUILT IN ALARM SWITCH DPC 8000 SE

Optional emergency button that can be installed in the PMX-15CST call station.

Order number **PDC-121963**

Bosch Security Systems B.V.
Torenallee 49
5617 BA Eindhoven
Netherlands

www.dynacord.com

© Bosch Sicherheitssysteme GmbH, 2020 | Data subject to change without notice
Document Number | Vs5 | 28. Apr 2020