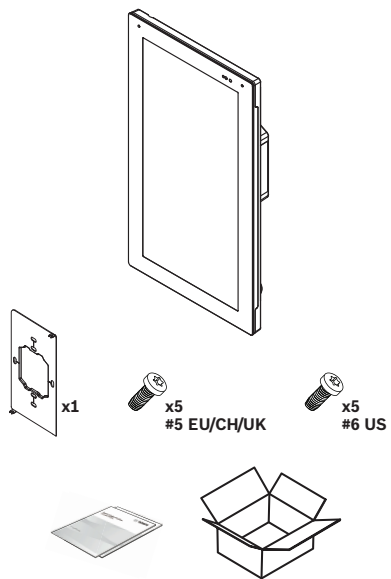
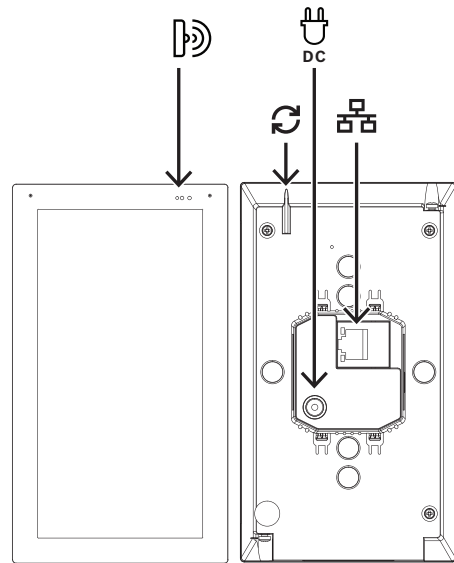


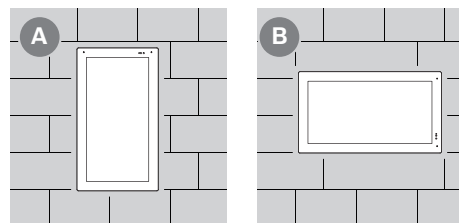
1 |



2 |



3 |



The device can be mounted in portrait, or in landscape.

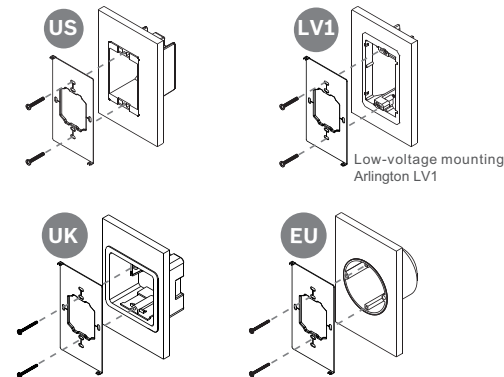
A: To install the device in portrait, install the 1-gang junction box or low-voltage bracket vertically.

B: To install the device in landscape, install the 1-gang junction box or low-voltage bracket horizontally.

4 |

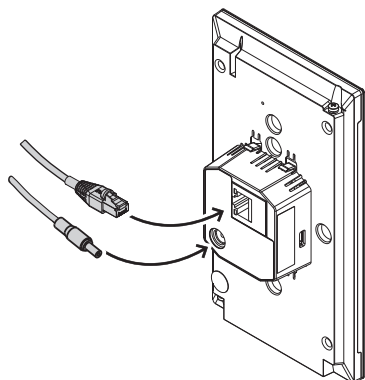
To install the device you will also need one of the following electrical junction boxes (not included) for the supplied mounting bracket.

Notice!
 ⓘ Make sure to remove the 2 original screws of the junction box before mounting the bracket.



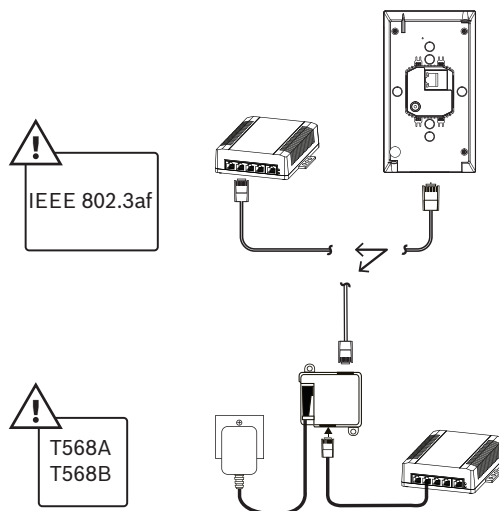
5 |

The device can be powered over the Ethernet connection (PoE) or by connecting a 24 V power supply (not included). If both are connected, the device will draw power from the 24 V power supply. The device will automatically power on when power is applied.

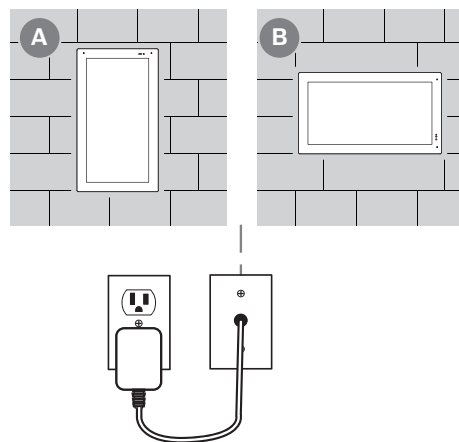


6 |

PoE connection requires IEEE 802.3af standard. Use a network switch or PoE injector that meets this standard. Connect the device using a standard T568A or T568B Ethernet cable.

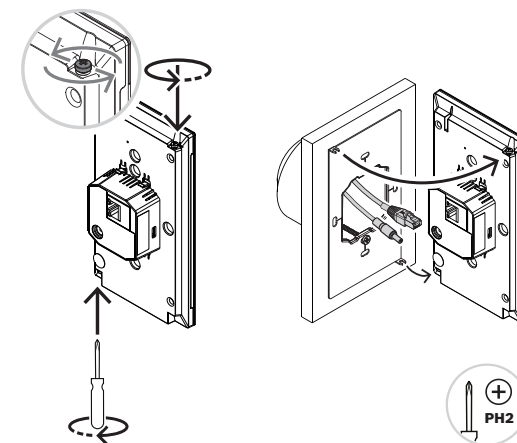


7 |



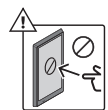
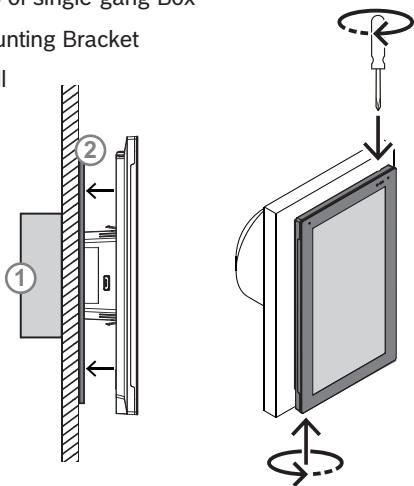
Notice!
 ⓘ The 24V DC power supply unit is not included.

8 |



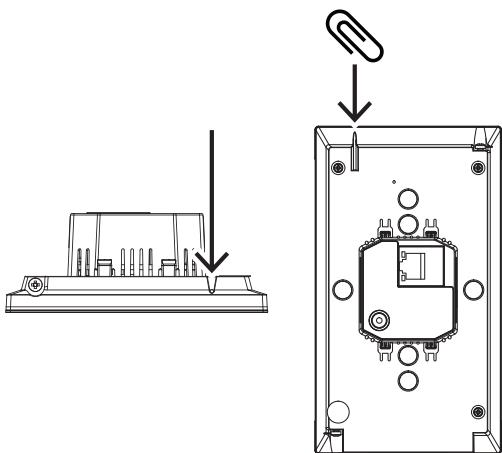
Notice!
 ⓘ Do not completely remove the screws from the device.

- ① Top of single-gang Box
- ② Mounting Bracket
- Wall

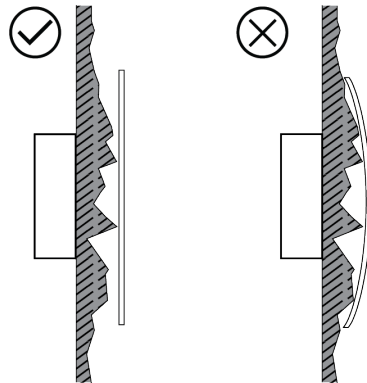
**Warning!**

Do not press directly on the screen to mount it in place.

To reset the device to factory default, use a paper clip and press the recessed event key after the device has booted up (approx. 1 min after powering).

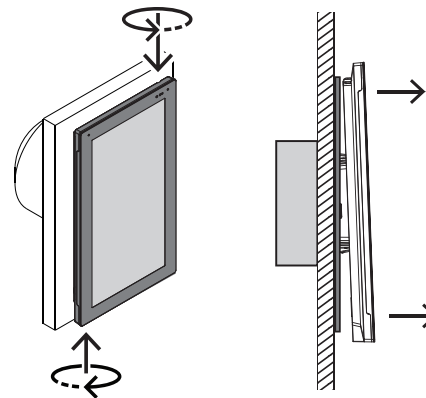


Do not bend the mounting bracket.

**Notice!**

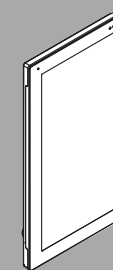
- ⓘ The following last 2 steps are for removal of the device and to reset the device, respectfully.

To remove the device, loosen the 2 screws and pull the device from the edges, one at a time.



Touch Panel Controller for MXE

TPC-1 Touch Panel Controller



en Quick installation guide

**Bosch Security Systems, LLC**

130 Perinton Parkway
Fairport, NY 14450
USA

www.boschsecurity.com

© Bosch Security Systems, LLC, 2024

EU importer:

Bosch Sicherheitssysteme GmbH

Robert-Bosch-Platz 1
70839 Gerlingen
Germany

© Bosch Sicherheitssysteme GmbH, 2024