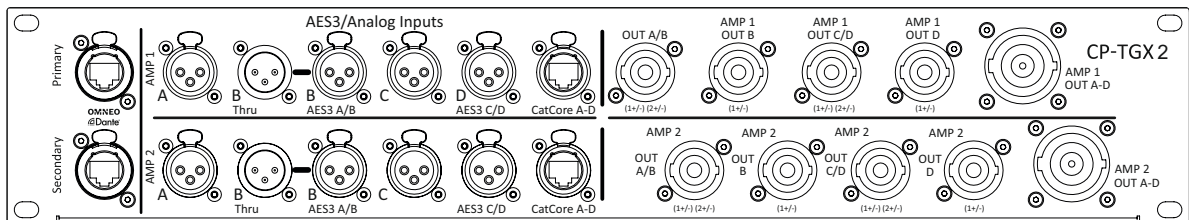


# Custom System Rack TGX-2 system rack 8x2500W/5000W



- 2 x 4-channel Dynacord TGX amplifier in 10U rack with connector panel for fullrange, 2-way, 3-way or 4-way speaker systems
  - 2 x 4 XLR inputs (line or AES3), 2 XLR through
  - 2 x 4 NL-4 outputs, configured in pairs for biamped systems, 2 NL8 (ch 1-4)
  - 2 Ethercon connectors for OMNEO (Dante/OCA) primary & secondary networks
  - Choice of TGX10: 4 x 2500 W/4Ohms or TGX20: 4 x 5000 W/4Ohms
- Optional: power distribution, network switch(es), blank panels  
only available in selected countries



## Parts included

Quantity	Component
2	TGX 4-channel amplifier
2	PCO32A16-EO power cord
1	10U 19" touring rack, double door*
1	AC232 power distribution 32A-6x16A*
1	CP-TGX2 connector panel
1	TGX manual and Safety instruction booklet

\* example, other rack options available

## Technical specifications

Dimensions\*  
(W x H x D), mm

585 x 715 x 758

Weight\* 2 TGX10

90,0 kg (200 lb)

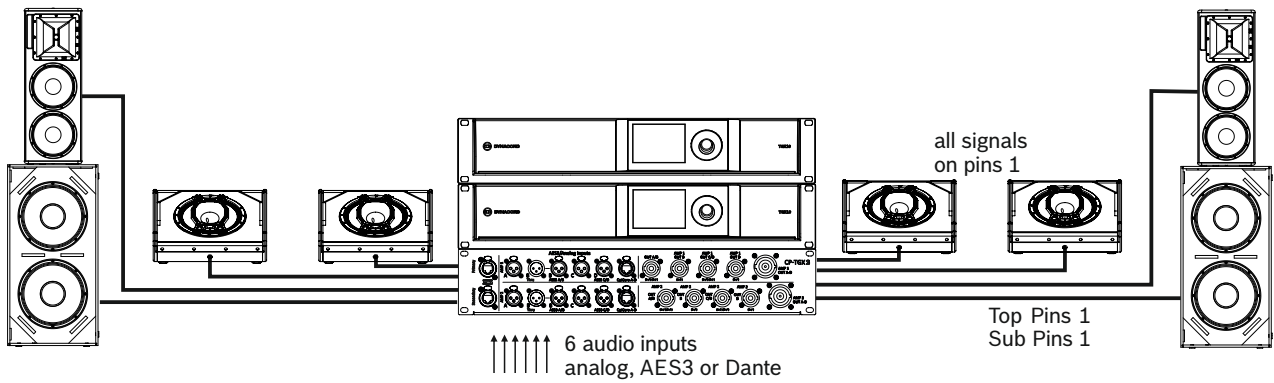
Shipping weight\* 2 TGX10

96,0 kg (212 lb)

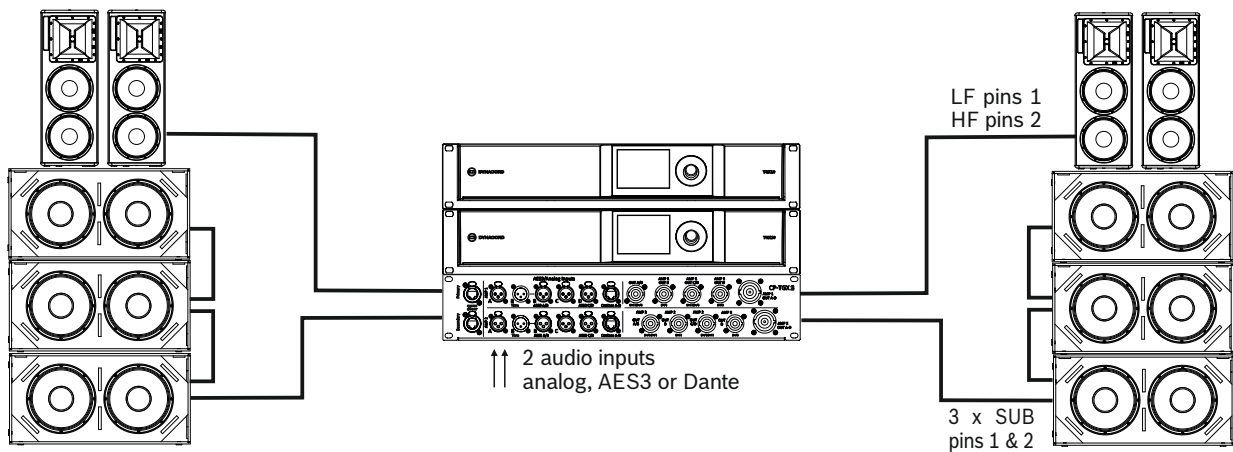
\* with 10U double door touring rack  
For technical specifications of TGX10 or TGX20 amplifier please see EDS.

## Application examples

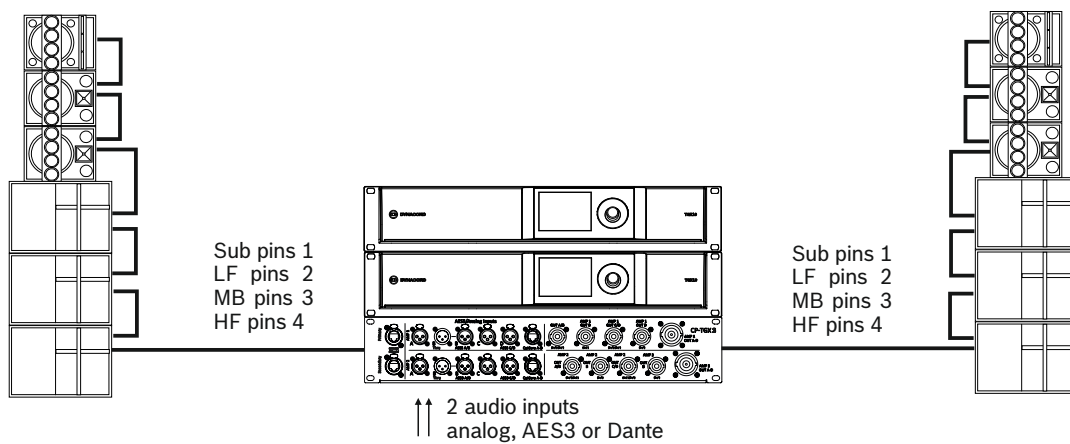
### 2-way stereo plus 4 fullrange speakers



### 3-way system, stereo, dual sub

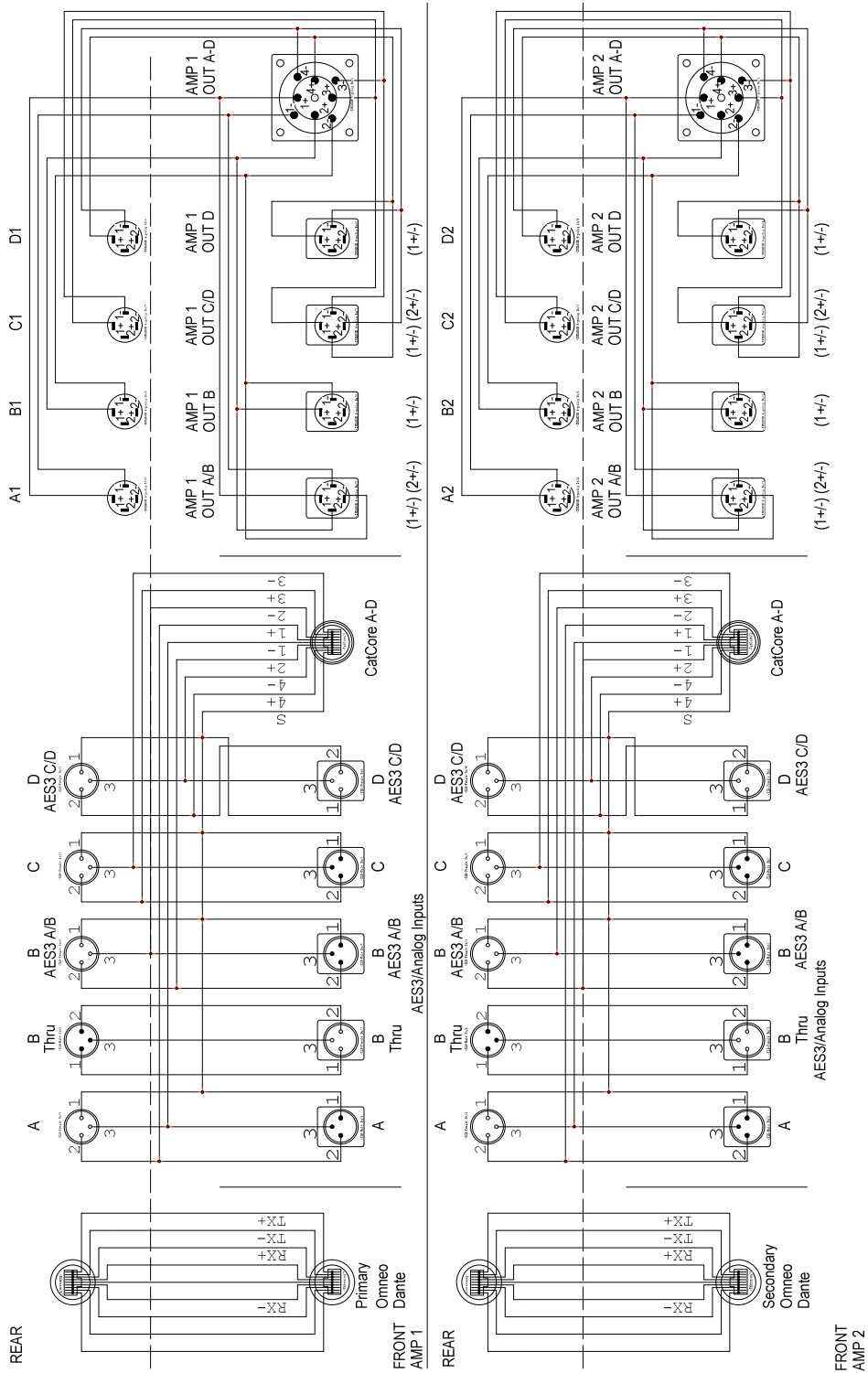


### 4-way system, stereo



# Schematics

## CP-TGX2



**Germany:**  
 Bosch Sicherheitssysteme GmbH  
 Robert-Bosch-Ring 5  
 85630 Grasbrunn  
 Germany

Bosch Security Systems, LLC  
 130 Perinton Parkway  
 Fairport, NY 14450  
 USA