

WPN1-US Wall panel controller networked, US



- Easy to read 1.77-inch color TFT display.
- Flexible configuration in SONICUE for system-wide control.
- Simple mounting in US single-gang NEMA-compliant wall-mount boxes
- Convenient powering via PoE.
- Interchangeable front panel (white/black).

The WPN1-US wall panel controller provides simplified operation and control within the SONICUE Sound System Software ecosystem. System-wide parameters can be controlled via a network connection to an MXE5 Matrix Mix Engine (or another SONICUE Control Server). The unit has a 1.77-inch color TFT display and is operated via a rotary encoder.

Flexible configuration in SONICUE allows the user interface to be designed with a very high level of customer- or project-specific detail, from a simple zone-volume control to multi-zone control, or even control of external devices via the MXE5's logic engine.

The WPN1-US ships with a white front and can be easily changed to a black front with the parts supplied. It mounts conveniently in a single-gang wall-mount box and is powered via PoE (Power over Ethernet).

Parts included

Quantity	Component
1	WPN1-US wall panel controller, networked, US
1	Interchangeable front panel & encoder knob, black
1	Quick installation guide
1	Safety information

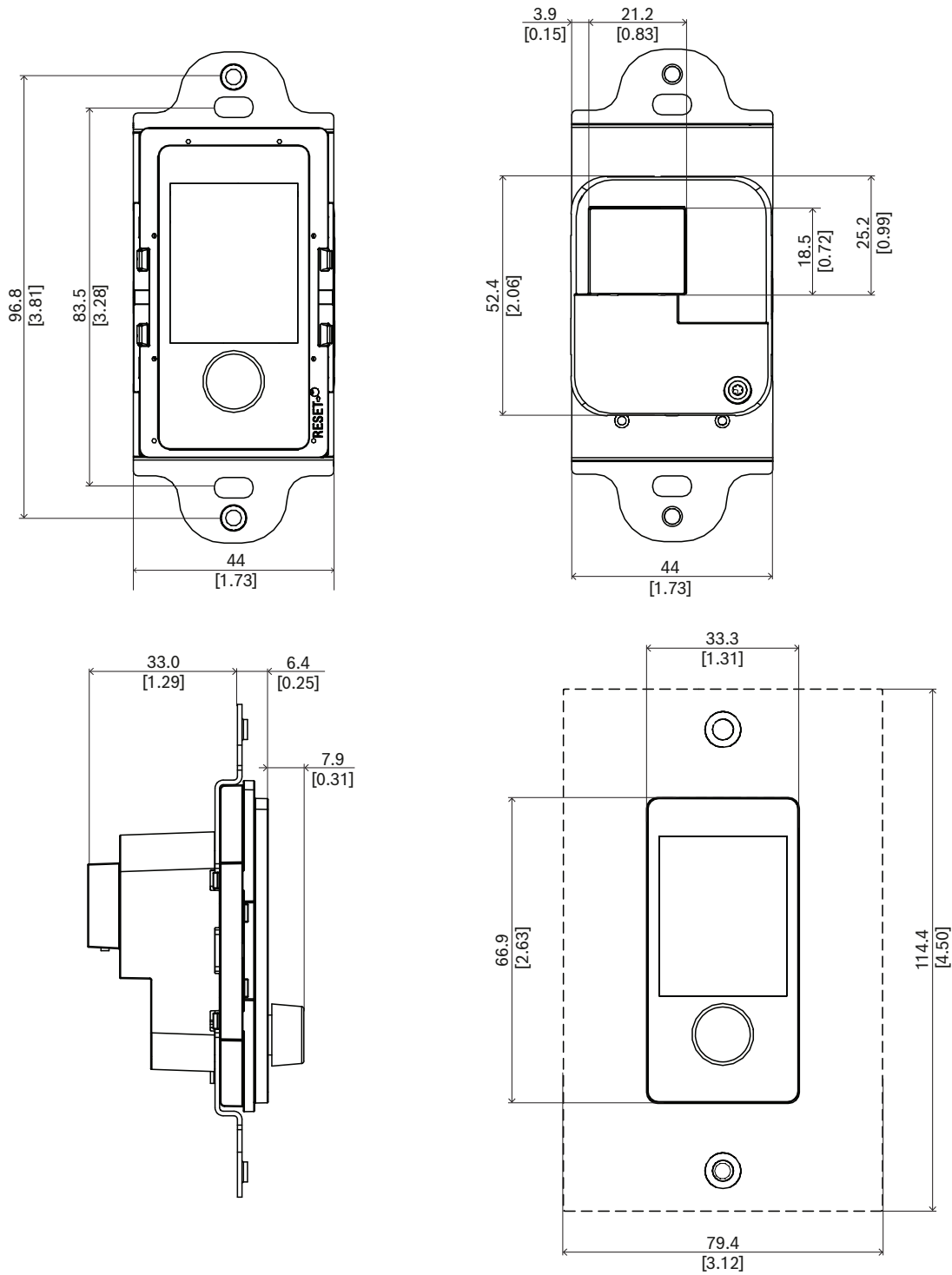
Technical specifications

Display type	Color TFT
--------------	-----------

Display size (in)	1.77 in
Display resolution (pixels)	160 x 128 pixels
Brightness	480 cd/m ²
Network	Ethernet 100BASE-TX, 1000BASE-T
PoE input	PoE IEEE 802.3af
PoE nominal voltage (VDC)	48 VDC
Mounting type	Wall-mounted
Required box size (mm)	62 mm wide, ≥60 mm deep
Required box size (in)	2.44 in wide, ≥2.36 in deep
Software compatibility	SONICUE (≥1.2.4)
SONICUE Control Server	MXE5 ¹
Color	White , changeable to black
Power consumption (W)	≤ 1.30 W
Operating temperature (°C)	0 °C – 45 °C
Operating temperature (°F)	32 °F – 113 °F
Operating relative humidity, non-condensing (%)	15% – 93%
Dimensions (H x W x D) (mm)	114.4 mm x 44 mm x 47.3 mm
Dimensions (H x W x D) (in)	4.50 in x 1.73 in x 1.85 in
Weight (g)	94 g
Weight (lb)	0.21 lb
Shipping weight (g)	212 g
Shipping weight (lb)	0.47 lb

¹ Or future SONICUE Control Server devices in SONICUE.

Dimensions



mm [in]

Ordering information

WPN1-US Wall panel controller networked, US

Wall panel controller with 1.77-inch display and encoder for use with SONICUE Control Server devices, PoE, ships with white and black front covers

Order number **WPN1-US | F.01U.394.578**

Represented by:

Germany:
Bosch Sicherheitssysteme GmbH
Robert-Bosch-Ring 5
85630 Grasbrunn
Germany
www.dynacord.com

Bosch Security Systems, LLC
130 Perinton Parkway
Fairport, NY 14450
USA