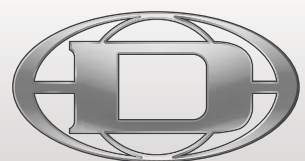




DSA 8405 | 8410 | 8805

DSA SERIES Amplifier

Owner's Manual | Bedienungsanleitung



DYNACORD
GERMAN ENGINEERING EXCELLENCE




CONTENTS

INTRODUCTION	4
Unpacking and Inspection	4
Scope of Delivery and Warranty	4
Responsibility of the User	4
INSTALLATION	5
Controls, Indicators and Connections	5
Operating Voltage	6
Mains Switch	6
Mounting	6
Ventilation	6
Selecting the Mode Of Operation (MODE)	7
Selecting the Mode of Output (OUTPUT)	8
Variable Load Drive (VLD)	10
Power on delay	11
Audio Cabling	11
OPERATION	13
Volume Control	13
Indications	13
Standby Mode (POWER REMOTE)	13
OPTIONS	14
RCM-810	14

INHALT

EINFÜHRUNG	20
Auspacken und Überprüfen	20
Lieferumfang und Garantie	20
Verantwortung des Betreibers	20
INSTALLATION	21
Bedienelemente, Anzeigen und Anschlüsse	21
Betriebsspannung	22
Netzschalter	22
Einbau	22
Kühlung	23
Wahl der Betriebsart (MODE)	23
Wahl des Ausgangs-Modus (OUTPUT)	25
Variable Load Drive (VLD)	27
Einschaltverzögerung	27
Audio Verkabelung	28
BETRIEB	29
Eingangsspegel-Regler	29
Anzeigen	29
Standby-Modus (POWER REMOTE)	29
OPTIONEN	30
RCM-810	30
SPECIFICATIONS/TECHNISCHE DATEN	33
DSA 8405	33
DSA 8410	34
DSA 8805	35
Mains Operation & Resulting Temperature	36
Block Diagram / Blockschaltbild	38
Dimensions / Abmessungen	39

IMPORTANT SAFETY INSTRUCTIONS

	CAUTION RISK OF ELECTRIC SHOCK DO NOT OPEN	
WARNING: TO REDUCE THE RISK OF FIRE OR ELECTRIC SHOCK, DO NOT EXPOSE THIS APPLIANCE TO RAIN OR MOISTURE.		
AVIS: RISQUÉ DE CHOC ELECTRIQUE - NE PAS OUVRIR		
CAUTION: TO REDUCE THE RISK OF ELECTRIC SHOCK, GROUNDING OF THE CENTRE PIN OF THIS PLUG MUST BE MAINTAINED.		
THIS DEVICE COMPLIES WITH PART 15 OF THE FCC RULES. OPERATION IS SUBJECT TO THE FOLLOWING TWO CONDITIONS: (1) THIS DEVICE MAY NOT CAUSE HARMFUL INTERFERENCE, AND (2) THIS DEVICE MUST ACCEPT ANY INTERFERENCE RECEIVED, INCLUDING INTERFERENCE THAT MAY CAUSE UNDESIRABLE OPERATION.		 FOR RECYCLING INFORMATION CONTACT YOUR DISTRIBUTOR OR VISIT OUR WEBSITE WWW.EVIAUDIO.COM



The lightning flash with arrowhead symbol, within an equilateral triangle is intended to alert the user to the presence of uninsulated "dangerous voltage" within the product's enclosure that may be of sufficient magnitude to constitute a risk of electric shock to persons.



The exclamation point within an equilateral triangle is intended to alert the user to the presence of important operating and maintenance (servicing) instructions in the literature accompanying the appliance.

1. Read these instructions.
2. Keep these instructions.
3. Heed all warnings.
4. Follow all instructions.
5. Do not use this apparatus near water.
6. Clean only with a dry cloth.
7. Do not cover any ventilation openings. Install in accordance with the manufacturer's instructions.
8. Do not install near heat sources such as radiators, heat registers, stoves, or other apparatus (including amplifiers) that produce heat.
9. Do not defeat the safety purpose of the polarized or the grounding-type plug. A polarized plug has two blades with one wider than the other. A grounding type plug has two blades and a third grounding prong. The wide blade or the third prong are provided for your safety. If the provided plug does not fit into your outlet, consult an electrician for replacement of the obsolete outlet.
10. Protect the power cord from being walked on or pinched particularly at plugs, convenience receptacles, and the point where they exit from the apparatus.
11. Only use attachments/accessories specified by the manufacturer.
12. Use only with the cart, tripod, bracket, or table specified by the manufacturer, or sold with the apparatus. When a cart is used, use caution when moving the cart/apparatus combination to avoid injury from tip-over.
13. Unplug this apparatus during lightning storms or when unused for a long period of time.
14. Refer all servicing to qualified service personnel. Servicing is required when the apparatus has been damaged in any way, such as power-supply cord or plug is damaged, liquid has been spilled or objects have fallen into the apparatus, the apparatus has been exposed to rain or moisture, does not operate normally, or has been dropped.
15. Do not expose this equipment to dripping or splashing and ensure that no objects filled with liquids, such as vases, are placed on the equipment.
16. To completely disconnect this equipment from the AC Mains, disconnect the power supply cord plug from the AC receptacle.
17. The mains plug of the power supply cord shall remain readily operable.
18. No naked flame sources, such as lighted candles, should be placed on the apparatus.
19. The product should be connected to a mains socket outlet with a protective earthing connection.



IMPORTANT SERVICE INSTRUCTIONS

CAUTION: These servicing instructions are for use by qualified personnel only. To reduce the risk of electric shock, do not perform any servicing other than that contained in the Operating Instructions unless you are qualified to do so. Refer all servicing to qualified service personnel.

1. Security regulations as stated in the EN 60065 (VDE 0860 / IEC 65) and the CSA E65 - 94 have to be obeyed when servicing the appliance.
2. Use of a mains separator transformer is mandatory during maintenance while the appliance is opened, needs to be operated and is connected to the mains.
3. Switch off the power before retrofitting any extensions, changing the mains voltage or the output voltage.
4. The minimum distance between parts carrying mains voltage and any accessible metal piece (metal enclosure), respectively between the mains poles has to be 3 mm and needs to be minded at all times. The minimum distance between parts carrying mains voltage and any switches or breakers that are not connected to the mains (secondary parts) has to be 6 mm and needs to be minded at all times.
5. Replacing special components that are marked in the circuit diagram using the security symbol (Note) is only permissible when using original parts.
6. Altering the circuitry without prior consent or advice is not legitimate.
7. Any work security regulations that are applicable at the locations where the appliance is being serviced have to be strictly obeyed. This applies also to any regulations about the work place itself.
8. All instructions concerning the handling of MOS-circuits have to be observed.

NOTE:



SAFETY COMPONENT (MUST BE REPLACED BY ORIGINAL PART)

WEEE RECYCLING/DISPOSAL INSTRUCTIONS

The Wheelie Bin symbol found on the product or in the manual indicates that this product must not be disposed of with other waste. It is in our category the manufacturer's responsibility to properly dispose of their waste electrical and electronic equipment (WEEE) at the end of its life. Due to the differences in each EU country's management of WEEE, please contact your local distributor. We are committed to facilitate our own electronic-waste-management-system, for the free of charge return of all EVI Audio GmbH products: Telex, DYNACORD, Electro-Voice and RTS. Arrangements are made with the dealer where you purchased the equipment from, for the returning of all unusable equipment *at no cost*, to the factory in Straubing, for environmental protective disposal.

Due to line current harmonics, we recommend that you contact your supply authority before connection.

1 Introduction

DYNACORD's new high efficiency DIGITAL SYSTEM AMPLIFIER power amps combine uncompromising audio performance with the highest reliability.

1.1 Unpacking and Inspection

Carefully open the packaging and take out the power amplifier. Inspect the power amp's enclosure for damages that might have occurred during transportation. Each amplifier is examined and tested in detail before leaving the manufacturing site to ensure that it arrives in perfect condition at your place. Please inform the transport company immediately if the power amplifier shows any damage. Being the addressee, you are the only person who can claim damages in transit. Keep the cardboard box and all packaging materials for inspection by the transport company.

Keeping the cardboard box including all packing materials is also recommended, if the power amplifier shows no external damages.

CAUTION: Do not ship the power amp in any other than its original packaging.

When shipping the power amp, make sure to always use its original box and packaging materials. Packing the power amplifier like it was packed by the manufacturer guarantees optimum protection from transport damage.

1.2 Scope of Delivery and Warranty

- 1 Power Amplifier
- 1 Owner's Manual (this document)
- 1 Mains Cord
- 1 (DSA 8405 / 8410) or 2 (DSA 8805) Output connectors, 8 pole
- 2 (DSA 8405 / 8410) or 4 (DSA 8805) Input connectors, 6 pole
- 1 Power Remote connector, 2 pole
- 1 Warranty Certificate

Keep the original invoice that states the purchase/delivery date together with the warranty certificate at a safe place. The manufacturer's warranty covers all substantial defects in materials and workmanship for a period of 36 months from the date of purchase. Liability claims are accepted solely, when a valid - correctly and completely filled out - Warranty Registration Form is presented by the original owner of the product. The warranty does not cover damage that results from improper or inadequate treatment or maintenance. In case of alteration or unauthorized repairs, the warranty is automatically terminated.

1.3 Responsibility of the User


SPEAKER SYSTEM DAMAGE

DSA power amps provide extremely high power output that might be dangerous for human beings as well as for the connected speaker systems. High output voltages can

damage or even destroy the connected speaker systems, especially, when the DSA amplifier is operated in bridged mode. Prior to connecting any loudspeakers, make sure to check the speaker system's specifications for continuous and peak power handling capacities. Even if amplification has been reduced through lowering the input level controls on the amplifier's front panel, it is still possible to achieve full power output with a sufficiently high input signal.

DANGER AT THE LOUDSPEAKER/POWER OUTPUTS

DSA amplifiers are capable of producing dangerously high voltage output that is present at the output connectors. To protect yourself from electric shock, do not touch any blank speaker cables during operation of the power amp.

CAUTION: The terminals marked with  are hazardous live and the external wiring connected to these terminals requires installation by an instructed person or the use of ready-made leads of cords.

HF-INTERFERENCE (FCC INFORMATION USA)

1. IMPORTANT: Do not modify this unit! Changes or modifications not expressly approved by the manufacturer could void the user's authority, granted by the FCC, to operate the equipment.

2. NOTE: This equipment has been tested and found to comply with the limits for a Class A digital device, pursuant to Part 15 of the FCC Rules. These limits are designed to provide reasonable protection against harmful interference in a residential installation. This equipment generates, uses and can radiate radio frequency energy and, if not installed and used in accordance with the instructions, may cause harmful interference to radio communications. However, there is no guarantee that interference will not occur in a particular installation. If this equipment does cause harmful interference to radio or television reception, which can be determined by turning the equipment off and on, the user is encouraged to try to correct the interference by one or more of the following measures:

- Reorient or relocate the receiving antenna
- Increase the separation between the equipment and receiver
- Connect the equipment into an outlet on a circuit different from that to which the receiver is connected
- Consult the dealer or an experienced radio/TV technician for help

HINT: This is a Class A product. In a domestic environment this product may cause radio interferences in which case the user may be required to take adequate measures.

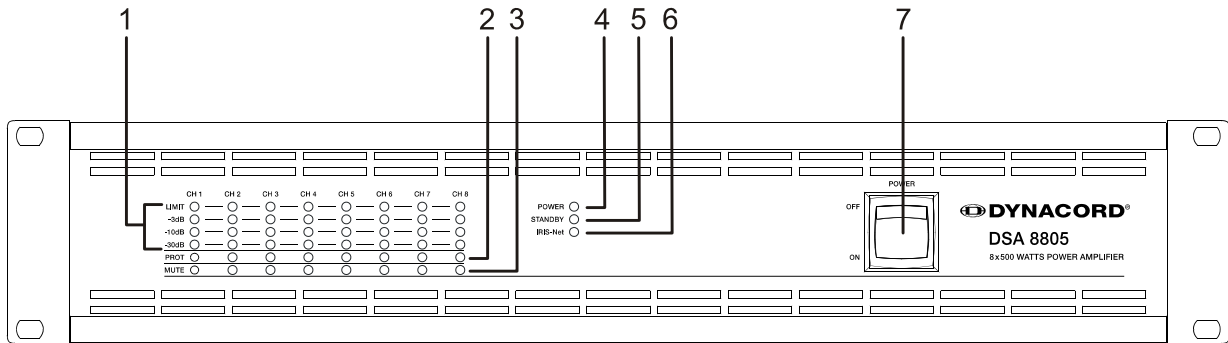
This Class A digital apparatus complies with Canadian ICES-003.

Cat appareil numérique de la classe A est conforme à la norme NMB-003 du Canada.

2 Installation

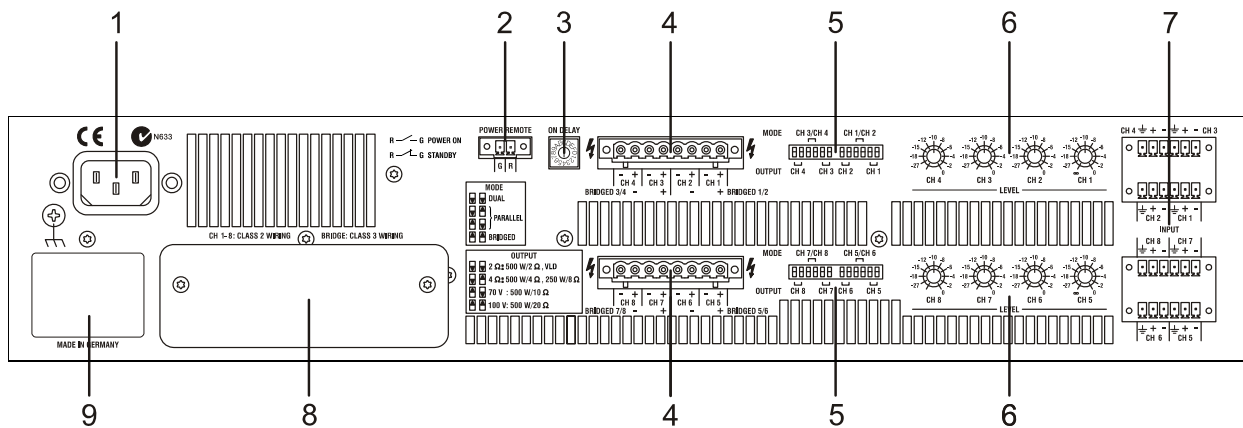
2.1 Controls, Indicators and Connections

FRONT VIEW



Number	Description
1	Level Indicators for each channel
2	Protection Indicator (PROT) for each channel
3	Muting Indicator (MUTE) for each channel
4	Power On/Off Indicator (POWER)
5	Standby Indicator (STANDBY)
6	Remote Amplifier Indicator (IRIS-Net)
7	Mains Switch

REAR VIEW



Number	Description
1	Mains Input
2	POWER REMOTE connector (POWER REMOTE)
3	Power On Delay selection switch (ON DELAY)
4	Power Amps Outputs (CH 1...4 / 5...8, BRIDGED)
5	Power Amp Outputs Mode Switch (MODE) and Outputs Load Switch (OUTPUT)
6	Input Level Control (LEVEL) for each channel
7	Audio Inputs (INPUT) for each channel
8	Expansion Slot (e.g. Remote Control Module RCM-810)
9	Type Plate

2.2 Operating Voltage

The power amplifier receives its power supply via the mains input. During installation, always separate the power amplifier from the mains. Connect the power amplifier only to a mains network, which corresponds to the requirements indicated on the type plate.

Device	Voltage	Frequency	Power Consumption
DSA 8405	220-240 V AC / 120 V AC / 100 V AC	50-60 Hz	490 W
DSA 8405	220-240 V AC / 120 V AC / 100 V AC	50-60 Hz	840 W
DSA 8805	220-240 V AC / 120 V AC / 100 V AC	50-60 Hz	930 W

Table 2-1: Operating Voltage

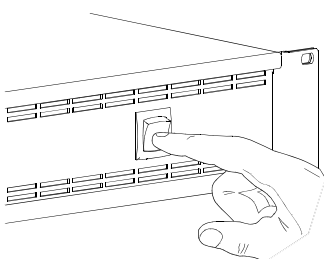
MAINS OPERATION AND RESULTING TEMPERATURE

The power drawn from the mains network is converted into output power to feed the connected loudspeaker systems and into heat. The difference between power consumption and dispensed power is called power dissipation (P_d). The amount of heat resulting from power dissipation might remain inside of a rack-shelf and needs to be diverted using appropriate measures. The tables on page 36 allow the determination of power supply and cabling requirements. The tables are meant as auxiliary means for calculating temperatures inside of a rack-shelf system/cabinet and the ventilation efforts necessary. The column P_d lists the leakage power in relation to different operational states. The column BTU/hr lists the dispensed heat amount per hour. The following factors allow direct proportional calculation of the mains current I_{mains} for different mains supply voltages: 100 V = 2.3, 120 V = 1.9, 220 V = 1.05, 240 V = 0.97.

2.3 Mains Switch

The Mains Switch on the front panel separates the power amp from the mains. Turning the Mains Switch to ON starts booting up the power amp. A soft start circuit compensates mains inrush current peaks and thus prevents the automatic cutout of the mains from reacting when switching on the power amplifier. Speaker system switch-on is delayed by approximately 4 seconds, effectively suppressing any possible power-on noise, which otherwise might be heard through the loudspeakers.

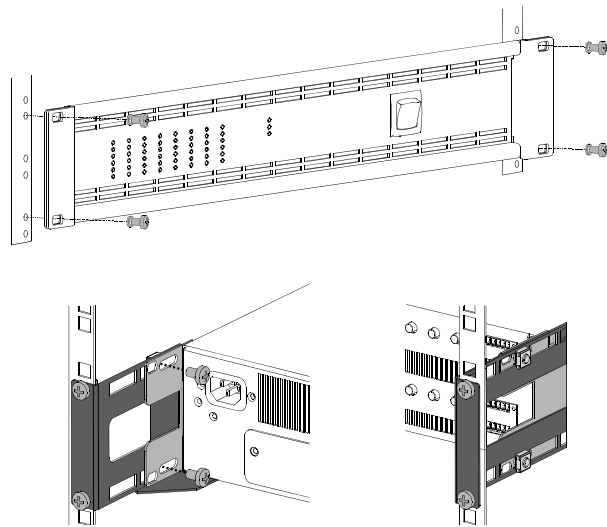
Illustration 2-2: Mains Switch



2.4 Mounting

DSA amplifiers have been designed for installation in a conventional 19-inch rack case. Attach the power amp with its frontal rack mount ears using 4 screws and washers as shown in following illustration. Additionally securing the amplifier at the rear becomes necessary, if the rack case in which the power amplifier has been installed will be transported. Failure to do so may result in damage to the power amplifier as well as to the rack case. Attach the power amp as shown in the illustration using 4 case nuts and screws. RMK-15 brackets for securing the power amplifier are available as accessories.

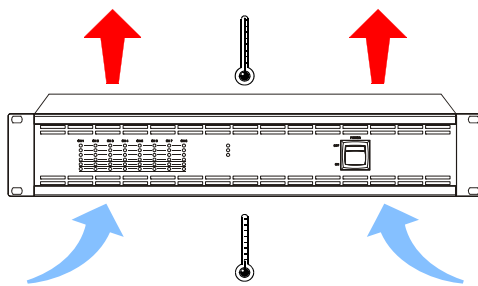
Illustration 2-3: Mounting



2.5 Ventilation

As with all Dynacord power amps with fan cooling, the airflow direction is front-to-rear, obviously because there is more cold air outside of the rack case than inside. The power amplifier remains cooler and dissipating the developing waste heat in a specific direction gets easier. In general, setting up or mounting the power amplifier has to be done in a way that fresh air can enter unhindered at the front and exhausted air can exit at the rear. When installing the power amp in a case or rack system, attention should be paid to these details to provide sufficient ventilation. Allow for an air duct of at least 60 mm x 330 mm between the rear panel of the power amplifier and the inner wall of the cabinet/rack case. Make sure that the duct reaches up to the cabinet's or the rack case's top ventilation louvers. Leave room of at least 100 mm above the cabinet/rack case for ventilation. Since temperatures inside of the cabinet/rack case can easily rise up to 40 °C during operation of the power amp, it is mandatory to bear in mind the maximum allowable ambient temperature for all other appliances installed in the same cabinet/rack case.

Illustration 2-4: Ventilation



CAUTION: Blocking/closing the power amp's ventilation louvers is not permissible. Without sufficient cooling/ventilation, the power amplifier may automatically enter protect mode. Keep ventilation louvers free from dust to ensure unhindered airflow. Do not use the power amplifier near heat sources, like heater blowers, stoves or any other heat radiating devices. To ensure trouble-free operation, make certain that the maximum allowable ambient temperature of +40°C is not exceeded.

For fixed amplifier installations in a device control room that incorporates a central air-cooling system or air conditioners, calculating the maximum heat emission may be necessary. Please also take notice of the information on page 6.

FAN COOLING

The power amplifier has two fans. The fans are temperature controlled, i.e. they are not running permanently but the running speed of the fans is controlled continuously depending on the ambient temperature. That in return ensures very silent running during idle state. The temperatures of the power amp's channels are registered and monitored separately.

2.6 Selecting the Mode Of Operation (MODE)

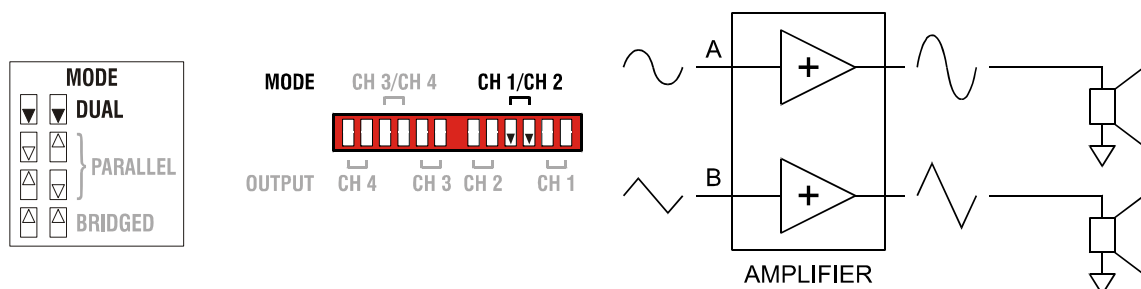
The MODE switch on the power amp's rear panel defines how the audio inputs handle the input signals. The amplifier types DSA 8405 and DSA 8410 allow the configuration of audio inputs CH 1/CH 2 or CH 3/CH 4, the amplifier type DSA 8805 additionally allows configuration of audio CH 5/CH 6 or CH 7/CH 8.

In the following description of the modes DUAL, PARALLEL or BRIDGED the generic letters A and B are used for the two audio inputs of a MODE switch (e.g. for switch CH 1/CH 2 input A corresponds to CH 1 and input B corresponds to CH 2).

DUAL

In DUAL mode, the two channels of the power amplifier work independent from each other. This mode of operation is being used for all 2-channel applications, like stereo or Bi-Amp (active) operation. Using the input level controls on the power amp's rear panel allows independently adjusting the channels' amplification.

Illustration 2-5: Audio signal applied to both input connectors in DUAL mode

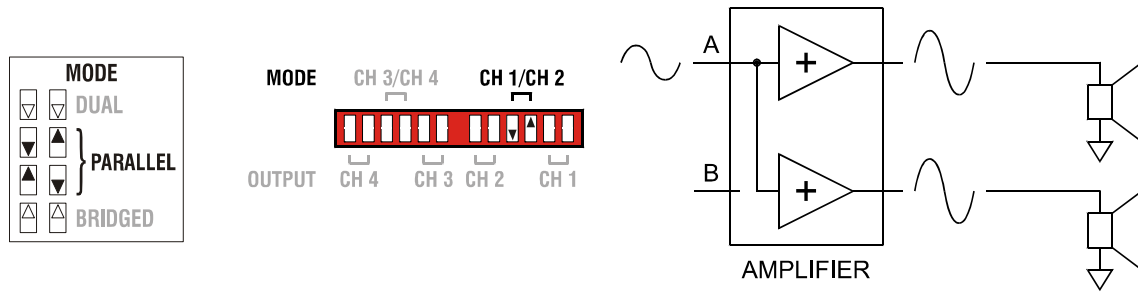


PARALLEL

In PARALLEL mode, the inputs of channel A and channel B are directly electrically linked. The audio signal has to be applied to the input connectors of channel A. Using the input level controls to independently control the amplification of the two channels is still possible because only the channels' inputs are linked. PARALLEL operation is the mode of choice, whenever the same input signal drives multiple power amp channels of a large system installation, e.g. when driving massive bass arrays.

CAUTION: In PARALLEL mode, the input signal has to be fed to input channel A only.

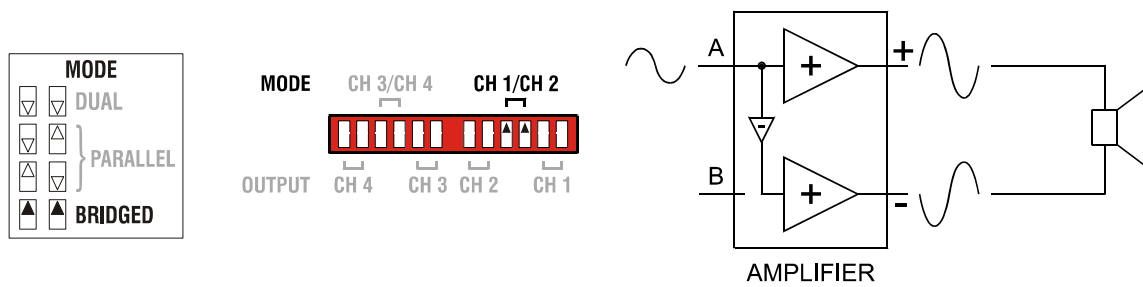
Illustration 2-6: Audio signal applied to input A connector in PARALLEL mode



BRIDGED

In BRIDGED mode both amp channels work in push-pull operation to provide doubled output voltage. The audio signal has to be applied to the input connectors of channel A, amplification is set via input level control of channel A only. BRIDGED operation is the mode of choice, whenever high power speakers are used. As the gain of the bridged amplifier channels will be increased by 6 dB this will also result in a doubling of the output voltage. If an external limiter is being used careful consideration should be given to its threshold setting. When using BRIDGED mode the recommended threshold setting of the external limiter must be reduced by 6 dB to ensure the same maximum voltage is delivered to the speakers as when using DUAL/PARALLEL mode.

Illustration 2-7: Audio signal applied to input A connector in BRIDGED mode



CAUTION: In BRIDGED mode operation, it is not allowable for the load connected to fall below a value of 4 ohms. Extremely high voltages can be present at the output. The connected speaker systems must be able to handle such voltages. Make sure to completely read and fully observe power rating specifications of the speaker systems to be used and to check them against the output power capacity of the power amp.

OUTPUT	2 Ω	4 Ω	70 V	100 V
DSA 8405	4 Ω	8 Ω	1000 W at 140 V (≈20 Ω)	1000 W at 200 V (≈40 Ω)
DSA 8410	4 Ω	8 Ω	2000 W at 140 V (≈10 Ω)	2000 W at 200 V (≈20 Ω)
DSA 8805	4 Ω	8 Ω	1000 W at 140 V (≈20 Ω)	1000 W at 200 V (≈40 Ω)

Table 2-8: Minimum load in BRIDGED mode

2.7 Selecting the Mode of Output (OUTPUT)

Different output modes are available for the amplifier’s output channels. Each channel can be switched to high impedance mode (HZ) for driving 70 V or 100 V loudspeakers without output transformers (Direct Drive).

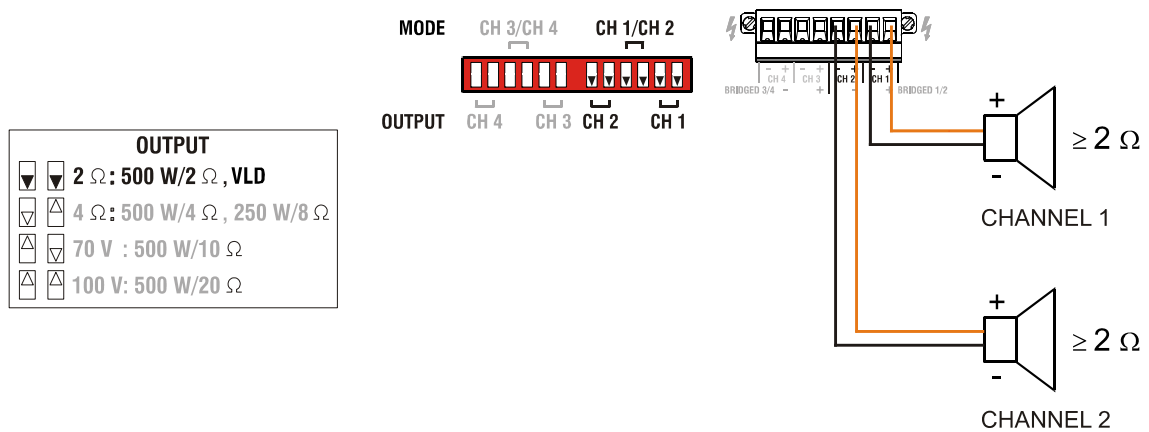
In DUAL or PARALLEL mode each output channel’s OUTPUT setting can be independently set. In BRIDGED mode for each pair of outputs only the OUTPUT setting of the channel with odd number (1, 3, 5 or 7) matters, the OUTPUT setting of the channel with even number (2, 4, 6 or 8) is ignored.

Following section describes the four different OUTPUT settings of DSA amplifiers.

2 OHM MODE / VLD MODE

In 2 Ohm mode the power amplifier reaches maximum output power having a load of 2 Ω connected. Up to 4 cabinetts having a nominal impedance of 8 Ω each can be driven by each amplifier channel. This mode should be used if a high number of speaker with medium or low power rating should be driven in low impedance mode (LZ). The VLD mode (Remote Control Module required) allows adjusting the output power of the amplifier channel. Please see page 10 for details about VLD mode.

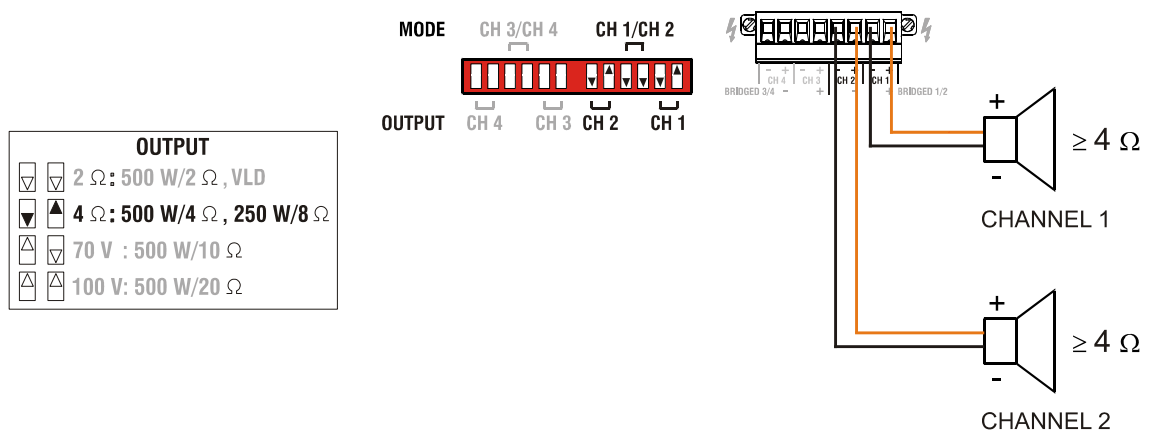
Illustration 2-9: DUAL mode of CH 1 and CH 2 in 2 Ohm Mode



4 OHM MODE

In 4 Ohm mode the power amplifier reaches maximum output power having a load of 4 Ω connected. Up to 2 cabinetts having an impedance of 8 Ω each can be driven by each amplifier channel. This mode should be used if speakers with high power rating (e.g. Subwoofers) should be driven in low impedance mode (LZ).

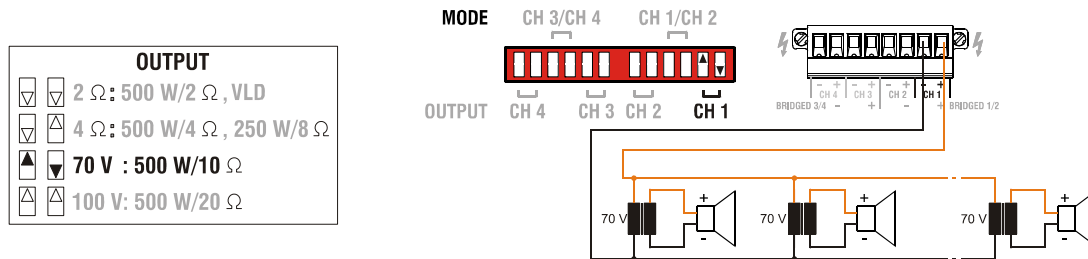
Illustration 2-10: DUAL mode of CH 1 and CH 2 in 4 Ohm Mode



70 V MODE

The 70 V mode allows connection of 70 V loudspeaker lines (Direct Drive) in high impedance mode (HZ) without using output transformers. In this case the maximum number of loudspeakers connected to an output channel is only limited by the amplifier's output power (500 W for DSA 8405/8805 or 1000 W for DSA 8410). This mode should be used if the distance between amplifier and speaker is larger than 50 metres (approx. 150 feet) and/or a high number of small speakers with transformer (e.g. ceiling speakers) is used.

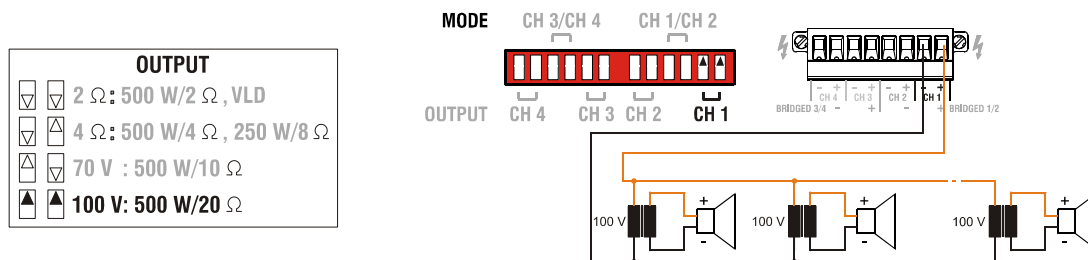
Illustration 2-11: CH 1 in 70 V mode



100 V MODE

The 100 V mode allows connection of 100 V loudspeaker lines (Direct Drive) in high impedance mode (HZ) without using output transformers. In this case the maximum number of loudspeakers connected to an output channel is only limited by the amplifier's output power (500 W for DSA 8405/8805 or 1000 W for DSA 8410). This mode should be used if the distance between amplifier and speaker is larger than 50 metres (approx. 150 feet) and/or a high number of small speakers with transformer (e.g. ceiling speakers) is used.

Illustration 2-12: CH 1 in 100 V mode



2.8 Variable Load Drive (VLD)

Selecting an output mode, as described in the previous chapter, provides an extremely practical way of matching amplifiers and connected loudspeaker systems. Table 2.3 shows all possible combinations of output power and connected load for power amps operated in low-impedance mode. Retrofitting an optionally available Remote Control Module (e.g. RCM-810) allows freely programming individual amplifier channels via Variable Load Drive (VLD). For power amplifier models DSA 8405 and DSA 8805 it is possible to freely select the output power in a range between 100 watts to 500 watts for loads ranging from 2 ohms to 10 ohms per channel. For the power amplifier model DSA 8410 it is possible to freely select the output power in a range between 100 watts to 1000 watts for loads ranging from 2 ohms to 10 ohms per channel. Additionally, the Remote Control Module RCM-810 allows switching a 50 Hz High-Pass filter on per channel. This may be advantageous when driving small or medium sized full-range cabinets to eliminate unwanted sub-frequency content in the audio signal.

For using VLD in a power amplifier with a Remote Control Module installed, please proceed as follows:

- Set the DIP-switch MODE (see page 7) to „2 Ω/VLD“ for power amplifier channels to be operated in VLD mode.
- Use the DIP-switch OUTPUT (see page 8) to select DUAL or PARALLEL output mode for power amplifier channels to be operated in VLD mode. VLD is not available in the BRIDGED output mode.
- Use IRIS-Net (see page 14) to configure output power, impedance and High-Pass filters of individual channels. Detailed information on the configuration, control and monitoring of amplifiers with Remote Control Modules installed can be found in the documentation that comes with the IRIS-Net software application.

The configuration of power amplifier channels is stored nonvolatile in the Remote Control Module. Please keep in mind that the VLD configuration in IRIS-Net only affects channels set to „2 Ω/VLD“ mode. Operation modes 4 ohms, 70 V and 100 V are not affected by VLD. Power amplifier channels behave as described in chapter 2.7. The use of VLD considerably expands the adaptability of a power amplifier. Following table lists some application examples of VLD.

	2 Ω	4 Ω	8 Ω
125 W			2 Ω Mode DSA 8x05
250 W		2 Ω Mode DSA 8x05	4 Ω Mode DSA 8x05 or 2 Ω Mode DSA 8410
500 W	2 Ω Mode DSA 8x05	4 Ω Mode DSA 8x05 or 2 Ω Mode DSA 8410	4 Ω Mode DSA 8410 or Bridge 2 Ω DSA 8x05
1000 W	2 Ω Mode DSA 8410	4 Ω Mode DSA 8410 or Bridge 2 Ω DSA 8x05	Bridge 4 Ω DSA 8x05 or Bridge 2 Ω DSA 8410
2000 W		Bridge 2 Ω DSA 8410	Bridge 4 Ω DSA 8410

Table 2-13: Maximum Output Power (VLD deactivated)

	2 Ω	4 Ω	8 Ω
125 W	VLD, all types	VLD, all types	2 Ω Mode DSA 8x05 or VLD DSA 8410
250 W	VLD, all types	2 Ω Mode DSA 8x05 or VLD DSA 8410	4 Ω Mode DSA 8x05 or 2 Ω Mode DSA 8410
500 W	VLD DSA 8410 or 2 Ω Mode DSA 8x05	4 Ω Mode DSA 8x05 or 2 Ω Mode DSA 8410	VLD DSA 8x05 or 4 Ω Mode DSA 8410 or Bridge 2 Ω DSA 8x05
1000 W	2 Ω Mode DSA 8410	4 Ω Mode DSA 8410 or Bridge 2 Ω DSA 8x05	VLD DSA 8410 or Bridge 4 Ω DSA 8x05 or Bridge 2 Ω DSA 8410
2000 W		Bridge 2 Ω DSA 8410	Bridge 4 Ω DSA 8410

Table 2-14: Maximum Output Power (VLD activated)

2.9 Power on delay

The ON DELAY switch on the amplifier rear panel allows selection of the power on delay time. Following table shows possible switch settings and corresponding delay times in seconds.

ON DELAY	0	1	2	3	4	5	6	7	8	9	A	B	C	D	E	F
Delay time (in s)	0	0.15	0.3	0.45	0.6	0.75	0.9	1.05	1.2	1.35	1.5	1.65	1.8	1.95	2.1	2.25

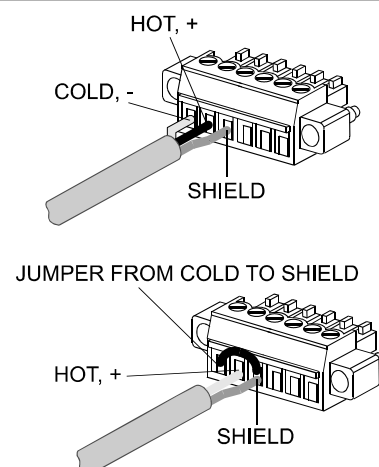
CAUTION: The setting of ON DELAY is ignored if a Remote Control Module is assembled.

2.10 Audio Cabling

INPUT

Inputs are electronically balanced. Whenever possible, using balanced audio signal feeds at the input of the power amplifier is always preferred. Unbalanced connections should only be used if the cables are very short and no interfering signals are to be expected in the vicinity of the power amplifier. In this case, bridging the screen (shielding) and the pin of the inverting input inside of the connector is mandatory. Otherwise, a 6 dB drop in level could result. Please also see following illustration. Due to their immunity against external interference sources, such as dimmers, mains connections, HF-control lines, etc., using balanced cabling and connections is always preferable.

Illustration 2-15: Balanced and unbalanced connection of input

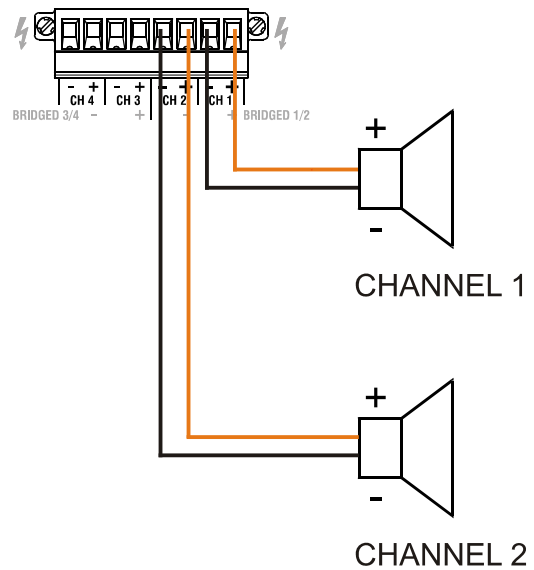


OUTPUT IN DUAL MODE OR PARALLEL MODE

See illustration right for connecting speakers in DUAL or PARALLEL mode. Only connection of CH 1 and CH 2 is shown, the other channels have to be connected identically.

The correct connection is also indicated at the amplifiers rear panel.

Illustration 2-16: Output in DUAL mode or PARALLEL mode



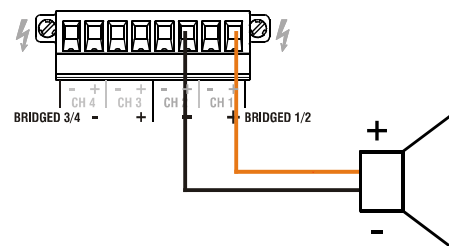
OUTPUT IN BRIDGED MODE

See illustration right for connecting speakers in BRIDGED mode. Only connection at CH 1/CH 2 is shown, the other channels have to be connected identically.

The correct connection is also indicated at the amplifiers rear panel.

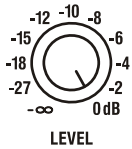
CAUTION: In BRIDGED mode operation, it is not allowable for the load connected to fall below the values given in table 2.2 on page 9. Extremely high voltages can be present at the output. The connected speaker systems must be able to handle such voltages. Make sure to completely read and fully observe power rating specifications of the speaker systems to be used and to check them against the output power capacity of the power amp.

Illustration 2-17: Output in BRIDGED mode



3 Operation

3.1 Volume Control



In DUAL and PARALLEL mode, the level controls LEVEL on the power amp's rear panel are used to control the amplification of the corresponding channel. The scale values are given in dB. Turning the control to the right increases and turning it to the left decreases the volume. In BRIDGED mode operation, the output volume for a pair of outputs is only controlled by the level control of the channel with odd number (1, 3, 5 or 7), the setting of the channel with even number (2, 4, 6 or 8) is ignored.

3.2 Indications

PROTECT

PROT The PROT LED lights indicating that one of the internal protection circuits against thermal overload, short-circuit, Back-EMF, HF-occurrence at the output, etc., has been activated. In that case, the connected load is separated from the power amps to prevent the connected loudspeaker systems and the power amplifiers as well from being damaged. Whatever caused the fault – e.g. a short-circuited speaker cable – needs to be remedied. In case of thermal overload you have to wait until the power amplifier automatically regains normal operation.

MUTE

MUTE The MUTE LED lights red whenever the power amp's output signal is being muted, which happens when manually muting the output signal via IRIS-Net.

-30dB...LIMIT

LIMIT Level indication is realized via vertical LED chains on the power amp's front panel that individually indicate the actual levels of each channel at -30dB, -10dB and -3dB below full modulation. The LIMIT LED lights as soon as the integrated dynamic audio limiter is activated and the power amplifier is driven at the clipping limit or generally at its maximum capacity. Short-term blinking is not a problem, because the internal limiter controls input levels of up to +21 dBu down to a THD of approximately 1%. If, on the other hand, the LIMIT LED light constantly, reducing the volume is recommended to prevent the loudspeaker systems connected from being damaged by probable overload.

POWER

POWER The POWER LED lights green when the power amplifier is on. If the POWER LED does not light, despite the fact that the amplifier has been switched on, this indicates that the power amp is not connected to the mains or the primary fuse has blown.

STANDBY

STANDBY The STANDBY LED lights yellow when the power amp is in standby mode. Standby mode reduces the amp's power consumption to an absolute minimum. Activating the standby mode is possible via IRISNet or the POWER REMOTE port at the amp's rear panel.

IRIS-NET

IRIS-Net The IRIS-Net LED lights blue if an IRIS-Net compatible remote control module has been installed in the power amp's extension slot and successful data communication has been established. The IRIS-Net LED blink slowly whenever the "Find" function in IRIS-Net is being used to locate a power amplifier in the rack.

3.3 Standby Mode (POWER REMOTE)

R — G POWER ON
R — G STANDBY



POWER REMOTE provides a simple way to remotely power-on/off the power amplifier. The POWER REMOTE

function is only useful for appliances not employing a Remote Control Modul. Controlling appliances with Remote Control Module installed per REMOTE CONTROL is practically pointless. Leaving the pins of POWER REMOTE socket open the appliance power is switched on. When connecting the pins the appliance enters standby mode.

4 Options

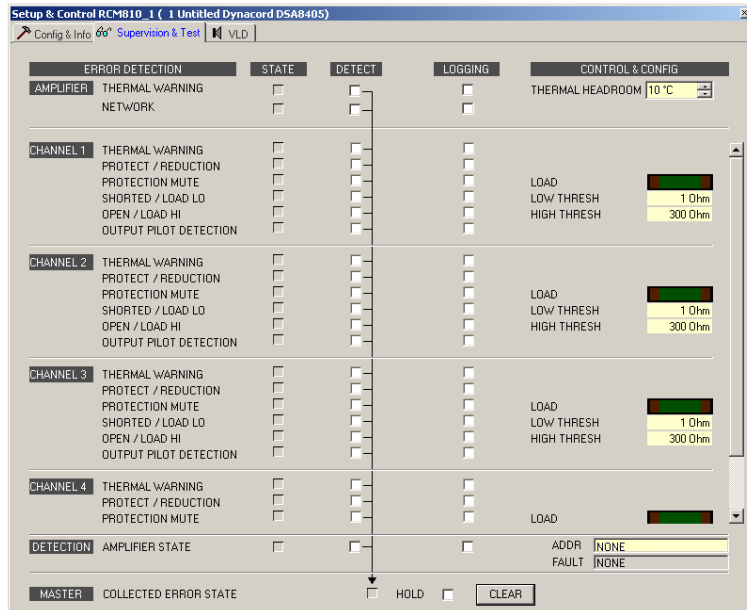
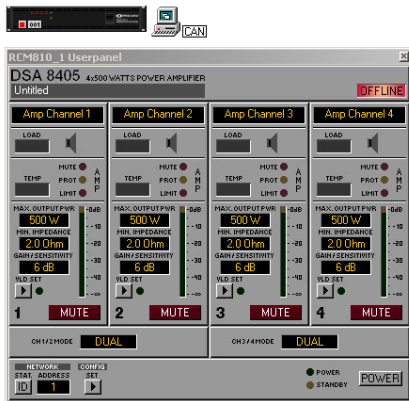
Installing one of the optionally available extension modules in the extension slot on the rear panel lets you expand the power amp's functional range. As an example, the following paragraphs describe the RCM-810 Remote Control Module. Please read and follow the instructions provided in the documentation that you have received together with each extension module.

4.1 RCM-810

SYSTEM DESCRIPTION AND FEATURES

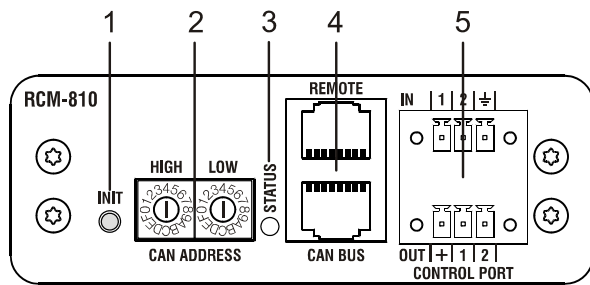
The RCM-810 Remote Control Module is a digital controller module for live sound reinforcement, PA and fixed installation applications. Installing the RCM-810 turns a conventional amp into a remote amplifier, which, at any time, provides complete overview of the overall system status and control of system parameters. RCM-810 modules allow the integration of amplifiers into a remote control network with up to 100 devices. By using multiple networks within an IRIS-Net project up to 250 amplifiers can be used in total. This offers the possi-

bility to control and monitor an entire PA system from one or more PCs using the IRIS-Net - Intelligent Remote & Integrated Supervision - software package. All operational states, e.g. power-on status, temperature, activation of protections, load impedance, etc., are centrally registered and displayed in IRIS-Net. This provides the possibility to react and to selectively intervene even before critical operational states arise. Programming an automatic reaction, when specific thresholds are being exceeded or fallen below, is also possible. Parameters, like power on/off, muting, etc. can be controlled in real-time and stored in the amplifier. In the event of network failure or loss of power, all settings stay intact, independent of the control by the network. Furthermore, the RCM-810 provides a control port with freely programmable control inputs and control outputs. Control inputs (GPI's) allow the connection of switches. IRIS-Net offers the possibility to program a variety of logic functions for the inputs. Control outputs (GPO's) allow the connection of external components, which, for example, are used to signal specific states to peripheral equipment. For further details about configuration, control and monitoring of amps with installed RCM-810 modules, please refer to the documentation of IRIS-Net. The latest version of IRIS-Net is available at www.dynacord.com.




CONTROLS AND CONNECTIONS

Illustration 4-1: Controls and Connections of the RCM-810



1 INIT button

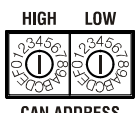
INIT
 The INIT button allows resetting the RCM-810 to factory settings. Press the button for at least 3 seconds using e.g. a small screwdriver. Following table lists the factory settings of the RCM-810 module.

CAUTION: All RCM-810 parameters configured via IRIS-Net are discarded when pressing the INIT button.

Parameter	Value
CAN-Bus data rate	10 kbit/s
Power-On-Delay	0 ms
Amplifier & Channel Labels	RCM-810 Module, RCM-810 Input, RCM-810 Output
Supervision	not configured
Control Ports and Job Numbers	not configured
VLD	deactivated

Table 4-2: Factory settings of RCM-810

2 CAN ADDRESS Selector Switch

HIGH LOW
 **CAN ADDRESS**
 The two address selector switches are for setting the network address of the RCM-810. CAN networks support addresses in the range of 01 to 250 (FA hex). Addressing has to be carried out in the hexadecimal number system. The LOW selector switch sets the lower digit, while HIGH sets the higher digit.

CAUTION: Each address may exist only once in a system. Otherwise, network conflicts may arise.

HIGH	LOW	Address
0	0	Stand-alone
0	1...F	1...15
1	0...F	16...31
2	0...F	32...47
3	0...F	48...63
4	0...F	64...79
5	0...F	80...95
6	0...F	96...111
7	0...F	112...127


Table 4-3: CAN addresses

HIGH	LOW	Address
8	0...F	128...143
9	0...F	144...159
A	0...F	160...175
B	0...F	176...191
C	0...F	192...207
D	0...F	208...223
E	0...F	224...239
F	0...A	240...250
F	B...F	reserved

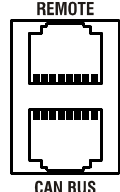
Table 4-3: CAN addresses

Address 0 (00 hex, delivery status) disables remote communication between the RCM-810 and the bus. The module does not appear in the system, even though it is physically connected to the CAN-bus.

3 STATUS LED

STATUS
 The STATUS LED is for monitoring the communication on the CAN bus. The LED blinks rhythmically every 3 seconds, when the module's address is set to "00", which means that it is disconnected from the CAN bus and software control. The LED blinks rhythmically in intervals of one second, when an address in the range of 01 to 250 has been assigned to the module and there has not yet been any activity on the CAN bus. As soon as communication on the CAN bus is recognized, the LED lights for at least 100 ms, when the power amplifier sends data on the CAN bus.

4 REMOTE CAN BUS Connection

REMOTE
 **CAN BUS**
 The RCM-810 module provides two RJ-45 sockets for connecting to the REMOTE CAN BUS. These sockets are connected in parallel and serve as inputs as well as for daisy-chaining the devices on the remote network. Cabling in a rack system can be established using commercially available RJ-45 network cables. However, CAN guidelines have to be observed

for longer cable lengths. Both ends of the CAN bus must be terminated using 120 Ω terminating plugs.

The CAN bus allows using different data rates, whereas the data rate is inversely proportional to the bus length. For smaller network setups, data rates can be as high as 500 kbit/s. For broader networks, reducing the data rate becomes necessary (down to the minimum data rate of 10 kbit/s).

HINT: The data rate of the CAN bus is preset to 10 kbit/s.

The following table illustrates the relation between data rate and bus length or network size. The use of CAN repeaters is strongly recommended for busses that exceed 1000 meters in length.

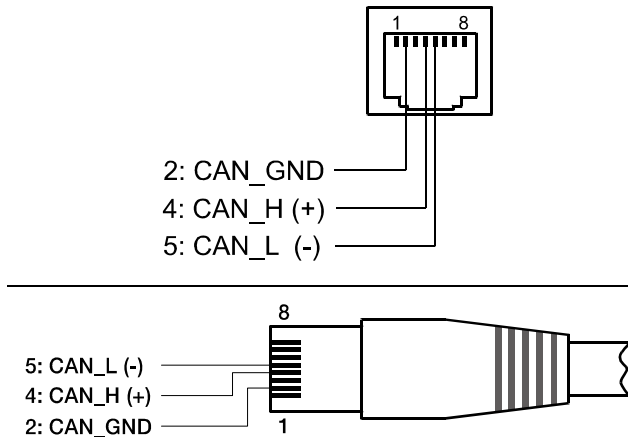
Transfer rate (in kbit/s)	Bus length (in m)
500	100
250	250
125	500

Table 4-4: Transfer rate and bus length

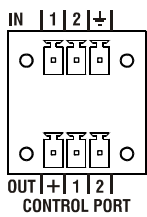
Transfer rate (in kbit/s)	Bus length (in m)
62,5	1000
20	2500
10	5000

Table 4-4: Transfer rate and bus length

Illustration 4-5: Pin-assignment of CAN jack and CAN plug



5 CONTROL PORT



The CONTROL PORT of the RCM-810 provides two control inputs, two control outputs and reference connections for +5V and ground. The control inputs are configurable via IRIS-Net. They can be used for example for switching between power on / standby modes. The two control contacts IN 1 and IN 2 are internally connected via pull-up resistors and carry




+5V (open). The control inputs can be activated using external switches, pushbuttons or relays to connect them to ground potential. The two control outputs OUT 1 and OUT 2 are open collector outputs, which are highly resistive in the non-active state (off). In active state (on) the outputs are connected to ground. The control outputs are configurable via IRIS-Net and are used to signal internal states. LEDs, indicators or relays can be driven directly. The +5V reference connector provides voltage supply for connected components.

CAUTION: The maximally allowable current at the +5V output is 200 mA.

INHALT

EINFÜHRUNG20
Auspacken und Überprüfen20
Lieferumfang und Garantie20
Verantwortung des Betreibers20
INSTALLATION21
Bedienelemente, Anzeigen und Anschlüsse21
Betriebsspannung22
Netzschalter22
Einbau22
Kühlung23
Wahl der Betriebsart (MODE)23
Wahl des Ausgangs-Modus (OUTPUT)25
Variable Load Drive (VLD)27
Einschaltverzögerung27
Audio Verkabelung28
BETRIEB29
Eingangspiegel-Regler29
Anzeigen29
Standby-Modus (POWER REMOTE)29
OPTIONEN30
RCM-81030
SPECIFICATIONS/TECHNISCHE DATEN33
DSA 840533
DSA 841034
DSA 880535
Mains Operation & Resulting Temperature36
Block Diagram / Blockschaltbild38
Dimensions / Abmessungen39

WICHTIGE SICHERHEITSHINWEISE

	CAUTION RISK OF ELECTRIC SHOCK DO NOT OPEN	
WARNING: TO REDUCE THE RISK OF FIRE OR ELECTRIC SHOCK, DO NOT EXPOSE THIS APPLIANCE TO RAIN OR MOISTURE. AVIS: RISQUÉ DE CHOC ELECTRIQUE - NE PAS OUVRIR		
CAUTION: TO REDUCE THE RISK OF ELECTRIC SHOCK, GROUNDING OF THE CENTRE PIN OF THIS PLUG MUST BE MAINTAINED.		
THIS DEVICE COMPLIES WITH PART 15 OF THE FCC RULES. OPERATION IS SUBJECT TO THE FOLLOWING TWO CONDITIONS: (1) THIS DEVICE MAY NOT CAUSE HARMFUL INTERFERENCE, AND (2) THIS DEVICE MUST ACCEPT ANY INTERFERENCE RECEIVED, INCLUDING INTERFERENCE THAT MAY CAUSE UNDESIRED OPERATION.		 FOR RECYCLING INFORMATION CONTACT YOUR DISTRIBUTOR OR VISIT OUR WEBSITE WWW.EVIAUDIO.COM



Das Blitzsymbol innerhalb eines gleichseitigen Dreiecks soll den Anwender auf nicht isolierte Leitungen und Kontakte im Geräteinneren hinweisen, an denen hohe Spannungen anliegen, die im Fall einer Berührung zu lebensgefährlichen Stromschlägen führen können.



Das Ausrufezeichen innerhalb eines gleichseitigen Dreiecks soll den Anwender auf wichtige Bedienungs- sowie Servicehinweise in der zum Gerät gehörenden Literatur aufmerksam machen.

1. Lesen Sie diese Hinweise.
2. Heben Sie diese Hinweise auf.
3. Beachten Sie alle Warnungen.
4. Richten Sie sich nach den Anweisungen.
5. Betreiben Sie das Gerät nicht in unmittelbarer Nähe von Wasser.
6. Verwenden Sie zum Reinigen des Gerätes ausschließlich ein trockenes Tuch.
7. Verdecken Sie keine Lüftungsschlitze. Beachten Sie bei der Installation des Gerätes stets die entsprechenden Hinweise des Herstellers.
8. Vermeiden Sie die Installation des Gerätes in der Nähe von Heizkörpern, Wärmespeichern, Öfen oder anderer Wärmequellen.
9. Achtung: Gerät nur an Netzsteckdose mit Schutzleiteranschluss betreiben. Setzen Sie die Funktion des Schutzleiteranschlusses des mitgelieferten Netzanschlusskabels nicht außer Kraft. Sollte der Stecker des mitgelieferten Kabels nicht in Ihre Netzsteckdose passen, setzen Sie sich mit Ihrem Elektriker in Verbindung.
10. Sorgen Sie dafür, dass das Netzkabel nicht betreten wird. Schützen Sie das Netzkabel vor Quetschungen insbesondere am Gerätestecker und am Netzstecker.
11. Verwenden Sie mit dem Gerät ausschließlich Zubehör/Erweiterungen, die vom Hersteller hierzu vorgesehen sind.
12. Verwenden Sie zusammen mit dieser Komponente nur vom Hersteller dazu vorgesehene oder andere geeignete Lastkarren, Stative, Befestigungsklammern oder Tische, die Sie zusammen mit dem Gerät erworben haben. Achten Sie beim Transport mittels Lastkarren darauf, dass das transportierte Equipment und der Karren nicht umfallen und möglicherweise Personen- und/oder Sachschäden verursachen können.
13. Ziehen Sie bei Blitzschlaggefahr oder bei längerem Nichtgebrauch den Netzstecker.
14. Überlassen Sie sämtliche Servicearbeiten und Reparaturen einem ausgebildeten Kundendiensttechniker. Servicearbeiten sind notwendig, sobald das Gerät auf irgendeine Weise beschädigt wurde, wie z.B. eine Beschädigung des Netzkabels oder des Netzsteckers, wenn eine Flüssigkeit in das Gerät geschüttet wurde oder ein Gegenstand in das Gerät gefallen ist, wenn das Gerät Regen oder Feuchtigkeit ausgesetzt wurde, oder wenn es nicht normal arbeitet oder fallengelassen wurde.
15. Stellen Sie bitte sicher, dass kein Tropf- oder Spritzwasser ins Geräteinnere eindringen kann. Platzieren Sie keine mit Flüssigkeiten gefüllten Objekte, wie Vasen oder Trinkgefäße, auf dem Gerät.
16. Um das Gerät komplett spannungsfrei zu schalten, muss der Netzstecker gezogen werden.
17. Beim Einbau des Gerätes ist zu beachten, dass der Netzstecker leicht zugänglich bleibt.
18. Stellen Sie keine offenen Brandquellen, wie z.B. brennende Kerzen auf das Gerät.
19. Dieses SCHUTZKLASSE I Gerät muss an eine NETZ-Steckdose mit Schutzleiter-Anschluss angeschlossen werden.



WICHTIGE SERVICEHINWEISE

ACHTUNG: Diese Servicehinweise sind ausschließlich zur Verwendung durch qualifiziertes Servicepersonal. Um die Gefahr eines elektrischen Schlages zu vermeiden, führen Sie keine Wartungsarbeiten durch, die nicht in der Bedienungsanleitung beschrieben sind, außer Sie sind hierfür qualifiziert. Überlassen Sie sämtliche Servicearbeiten und Reparaturen einem ausgebildeten Kundendiensttechniker.

1. Bei Reparaturarbeiten im Gerät sind die Sicherheitsbestimmungen nach EN 60065 (VDE 0860) einzuhalten.
2. Bei allen Arbeiten, bei denen das geöffnete Gerät mit Netzspannung verbunden ist und betrieben wird, ist ein Netz-Trenntransformator zu verwenden.
3. Vor einem Umbau mit Nachrüstsätzen, Umschaltung der Netzspannung oder sonstigen Modifikationen ist das Gerät stromlos zu schalten.
4. Die Mindestabstände zwischen netzspannungsführenden Teilen und berührbaren Metallteilen (Metallgehäuse) bzw. zwischen den Netzpole betragen 3 mm und sind unbedingt einzuhalten.
5. Die Mindestabstände zwischen netzspannungsführenden Teilen und Schaltungsteilen, die nicht mit dem Netz verbunden sind (sekundär), betragen 6 mm und sind unbedingt einzuhalten.
6. Spezielle Bauteile, die im Stromlaufplan mit dem Sicherheitssymbol gekennzeichnet sind, (Note) dürfen nur durch Originalteile ersetzt werden.
7. Eigenmächtige Schaltungsänderungen dürfen nicht vorgenommen werden.
8. Die am Reparaturort gültigen Schutzbestimmungen der Berufsgenossenschaften sind einzuhalten. Hierzu gehört auch die Beschaffenheit des Arbeitsplatzes.
9. Die Vorschriften im Umgang mit MOS-Bauteilen sind zu beachten.

NOTE:



SAFETY COMPONENT (MUST BE REPLACED BY ORIGINAL PART)

Hinweise zur Entsorgung/Wiederverwendung gemäß WEEE

Das auf unserem Produkt und im Handbuch abgedruckte Mülltonnensymbol weist daraufhin, dass dieses Produkt nicht gemeinsam mit dem Haushaltsmüll entsorgt werden darf. Für die korrekte Entsorgung der Elektro- und Elektronik-Altgeräte (WEEE) am Ende ihrer Nutzungsdauer ist in unserer Kategorie der Hersteller verantwortlich. Aufgrund unterschiedlicher Regelungen zur WEEE-Umsetzung in den einzelnen EU-Staaten bitten wir Sie, sich an Ihren örtlichen Händler zu wenden. Wir haben ein eigenes System zur Verarbeitung elektronischer Abfälle und gewährleisten die kostenfreie Entgegennahme aller Produkte der EVI Audio GmbH: Telex, DYNACORD, Electro-Voice und RTS. Wir haben mit dem Händler, bei dem Sie Ihr Produkt gekauft haben, eine Vereinbarung getroffen, dass alle nicht mehr verwertbaren Geräte zur umweltgerechten Entsorgung *kostenfrei* an das Werk in Straubing zurückgeschickt werden.

Bitte kontaktieren Sie vor dem Anschluss an die Spannungsversorgung Ihr Energieversorgungsunternehmen bezüglich Oberwellen.

1 Einführung

Mit den Endstufen der DSA-Serie von Dynacord beginnt ein neues Zeitalter in der Endstufen-Technologie. Die hocheffiziente Technik der DSA-Endstufe liefert kompromisslose Audioperformance bei geringem Gewicht und höchster Zuverlässigkeit.

1.1 Auspacken und Überprüfen

Öffnen Sie die Verpackung und entnehmen Sie die Endstufe. Überprüfen Sie die Endstufe auf äußere Beschädigungen, die während des Transports zu Ihnen aufgetreten sein könnten. Jede Endstufe wird vor Verlassen des Werks eingehend untersucht und getestet und sollte in einwandfreiem Zustand bei Ihnen ankommen. Falls die Endstufe Beschädigungen aufweist, benachrichtigen Sie bitte unverzüglich das Transportunternehmen. Ein Transportschaden kann nur von Ihnen, dem Empfänger, reklamiert werden. Bewahren Sie den Karton und das Verpackungsmaterial zwecks Besichtigung durch das Transportunternehmen auf. Die Aufbewahrung des Kartons samt Verpackungsmaterial wird auch dann angeraten, wenn die Endstufe keine Beschädigung aufweist.

ACHTUNG: Versenden Sie die Endstufe nie ohne das original Verpackungsmaterial.

Wenn Sie die Endstufe versenden, verwenden Sie stets den Originalkarton und das original Verpackungsmaterial. Für bestmöglichen Schutz vor Transportschäden verpacken Sie die Endstufe wie sie ursprünglich im Werk verpackt wurde.

1.2 Lieferumfang und Garantie

- 1 Endstufe
- 1 Handbuch (dieses Dokument)
- 1 Netzkabel
- 1 (DSA 8405 / 8410) bzw. 2 (DSA 8805) Schraub-Steckverbinder 8-polig für Endstufenausgang
- 2 (DSA 8405 / 8410) bzw. 4 (DSA 8805) Schraub-Steckverbinder 6-polig für Endstufeneingang
- 1 Power Remote Stecker, 2-polig
- 1 Garantiekarte

Bewahren Sie neben der Garantiekarte auch den Kaufbeleg, der den Termin der Übergabe festlegt, auf. Das Werk leistet Garantie für alle nachweisbaren Material- und Fertigungsfehler für die Dauer von 36 Monaten ab Verkauf. Garantieleistungen werden nur dann anerkannt, wenn gültige, d.h. vollständig ausgefüllte Garantieunterlagen vorliegen. Von der Garantie ausgenommen sind alle Schäden, die durch falsche oder unsachgemäße Bedienung verursacht werden. Bei Fremdeingriffen oder eigenmächtigen Änderungen erlischt jeder Garantieanspruch.

1.3 Verantwortung des Betreibers

BESCHÄDIGUNG VON LAUTSPRECHERN

Die DSA-Endstufe verfügt über eine hohe Ausgangsleistung und kann sowohl für Menschen als auch für angeschlossene Lautsprecher eine Gefahr darstellen. Lautsprecher können durch zu hohe Leistung beschädigt oder zerstört werden, vor allem durch die hohe Leistung der DSA-Endstufe im Brückenbetrieb. Informieren Sie sich immer über die Dauer- und Spitzenbelastbarkeit der anzuschließenden Lautsprecher. Selbst wenn mittels der Eingangspegel-Regler an der Rückseite der Endstufe die Verstärkung reduziert wird, ist es bei ausreichend hohem Eingangssignal noch immer möglich, die volle Ausgangsleistung zu erreichen.

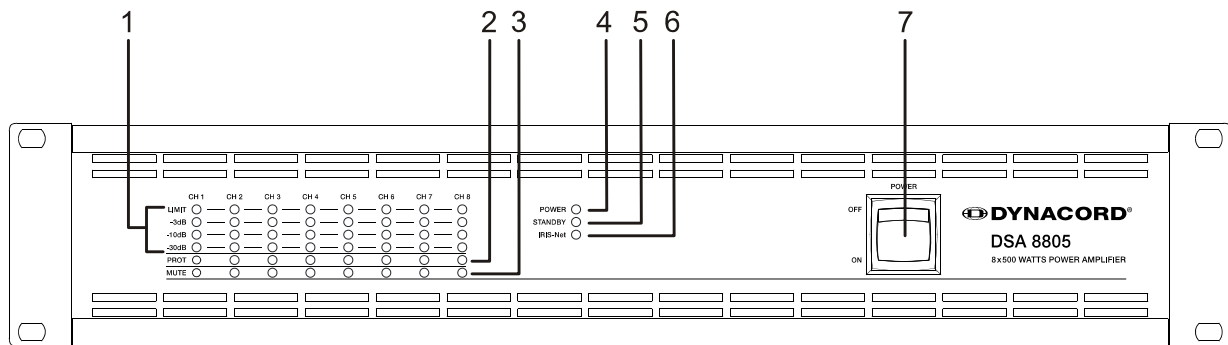
GEFAHREN AM LAUTSPRECHERAUSGANG

Die DSA-Endstufe ist in der Lage, gefährlich hohe Spannungen am Ausgang zu produzieren. Zur Vermeidung eines Stromschlags berühren Sie keinesfalls blanke Lautsprecherleitungen während des Betriebs der Endstufe.

2 Installation

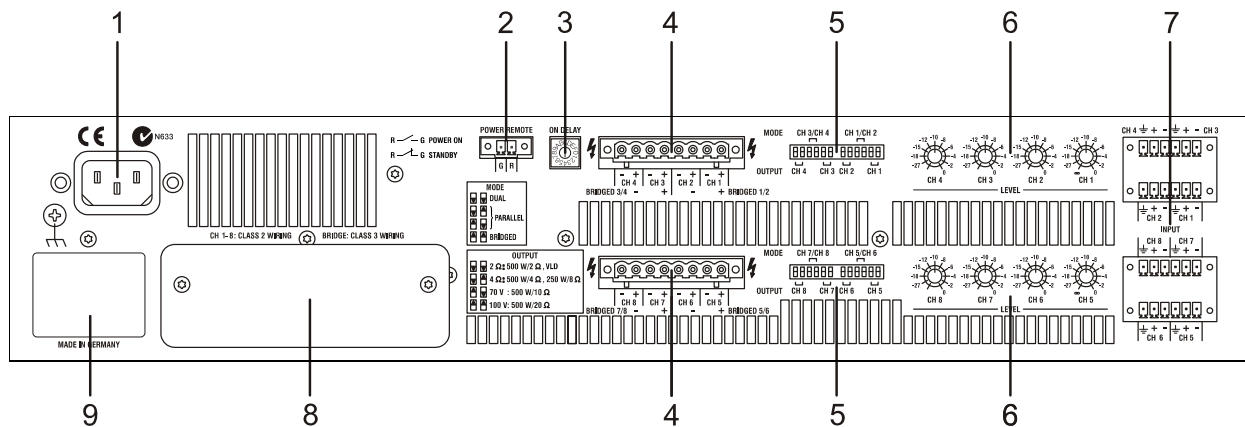
2.1 Bedienelemente, Anzeigen und Anschlüsse

FRONTSEITE



Nummer	Beschreibung
1	Pegelanzeige für Kanäle 1 bis 4 (DSA 8405/8410) bzw. 8 (DSA 8805)
2	Anzeige Schutzschaltung (PROT)
3	Anzeige Stummschaltung (MUTE)
4	Anzeige Betrieb (POWER)
5	Anzeige Standby (STANDBY)
6	Anzeige Remote Amplifier (IRIS-Net)
7	Netzschalter

RÜCKSEITE



Nummer	Beschreibung
1	Netzeingang
2	POWER REMOTE-Buchse (POWER REMOTE)
3	Einschaltverzögerungs-Wahlschalter (ON DELAY)
4	Endstufenausgangsklemmen (CH 1...4 / 5...8, BRIDGED)
5	Schalter Endstufen-Betriebsart (MODE) und Ausgangs-Modus (OUTPUT)
6	Eingangspegel-Regler je Kanal (LEVEL)
7	Audioeingang (INPUT) je Kanal
8	Erweiterungssteckplatz (z. B. Remote Control Module RCM-81.0)
9	Typenschild

2.2 Betriebsspannung

Die Spannungsversorgung der Endstufe erfolgt über die Netzeingangsbuchse. Trennen Sie die Endstufe während der Installation immer von der Netzversorgung. Schließen Sie die Endstufe nur an eine geeignete Netzversorgung an, die den auf dem Typenschild angegebenen Anforderungen entspricht.

Gerät	Spannung	Netzfrequenz	Leistungsaufnahme
DSA 8405	220-240 V AC / 120 V AC / 100 V AC	50-60 Hz	490 W
DSA 8405	220-240 V AC / 120 V AC / 100 V AC	50-60 Hz	840 W
DSA 8805	220-240 V AC / 120 V AC / 100 V AC	50-60 Hz	930 W

Tabelle 2-1: Operating Voltage

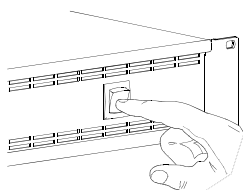
NETZBETRIEB UND WÄRMEENTWICKLUNG IN DER ENDSTUFE

Mit Hilfe der Tabellen ab Seite 36 können die Anforderungen an Stromversorgung und Zuleitungen bestimmt werden. Die vom Stromnetz aufgenommene Leistung wird in Ausgangsleistung für die Lautsprecher und in Wärme umgewandelt. Die Differenz aus aufgenommener Leistung und abgegebener Leistung nennt man Verlustleistung (Pd). Die durch Verluste entstehende Wärme verbleibt u. U. im Rack und muss durch geeignete Maßnahmen abgeleitet werden. Zur Berechnung der Wärmeverhältnisse im Rack/Schrank bzw. zur Dimensionierung eventuell benötigter Abluftmaßnahmen können ebenfalls die Tabellen ab Seite 36 benutzt werden. Die Spalte Pd zeigt die Verlustleistung bei verschiedenen Betriebszuständen. Die Spalte BTU/hr zeigt die abgegebene Wärmemenge je Stunde. Die Stromaufnahmen für andere Netze können mit folgenden Faktoren direkt proportional umgerechnet werden: 100 V = 2.3, 120 V = 1.9, 220 V = 1.05, 240 V = 0.97.

2.3 Netzschalter

Der Netzschalter POWER an der Frontseite trennt in Schalterstellung OFF die Endstufe von der Netzversorgung. In Schalterstellung ON wird das Hochfahren der Endstufe gestartet. Eine Softstart-Schaltung vermeidet dabei Einschaltstromspitzen auf der Netzleitung. Dadurch wird verhindert, dass der Leitungsschutzschalter des Stromnetzes beim Einschalten der Endstufe anspricht. Die Lautsprecher werden um ca. 4 Sekunden verzögert zugeschaltet. Hierdurch werden etwaige Einschaltgeräusche effektiv unterdrückt, die ansonsten in den Lautsprechern hörbar wären.

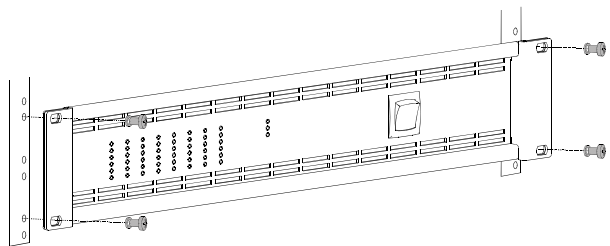
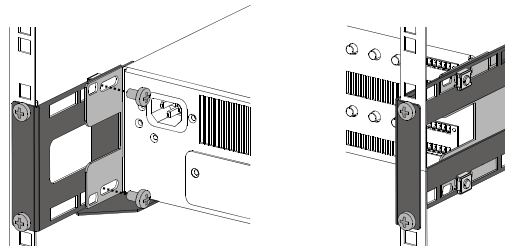
Abbildung 2-2: Netzschalter



2.4 Einbau

Die DSA-Endstufe wurde für den Einbau in ein konventionelles 19-Zoll Rack entwickelt. Befestigen Sie die Endstufe an der Vorderseite mit 4 Schrauben und Unterlegscheiben wie in folgender Abbildung dargestellt.

Abbildung 2-3: Befestigung der Endstufe bei Rackeinbau

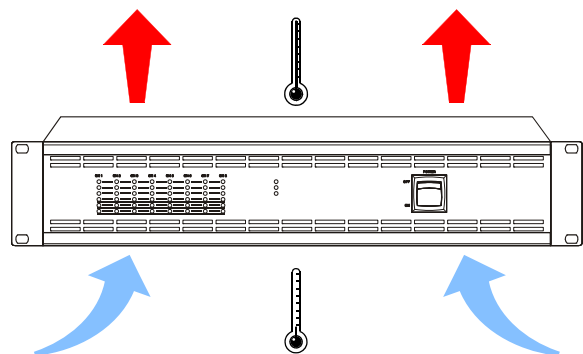


Wird das Rack, in dem die Endstufe eingebaut ist, transportiert, muss die Rückseite der Endstufe im Rack befestigt werden. Bei fehlender Befestigung kann sowohl die Endstufe als auch das Rack beschädigt werden. Befestigen Sie die Endstufe wie in folgender Abbildung gezeigt mit Hilfe von Käfigmuttern und Befestigungsschrauben. Geeignete Rackwinkel RMK-15 sind als Zubehör erhältlich.

2.5 Kühlung

Bei allen lüftergekühlten Endstufen von DYNACORD strömt die Luft von der Frontseite zur Rückseite, da kühle Frischluft eher außerhalb des Racks zur Verfügung steht als innerhalb. Die Endstufe bleibt kühler und die entstehende Abwärme kann gezielter abgeführt werden.

Abbildung 2-4: Kühlung



Generell ist die Endstufe so aufzustellen oder zu montieren, dass die Luftzufuhr an der Frontseite und die Entlüftung an der Geräterückseite nicht behindert wird. Für den Einbau in Gehäuse und Racks ist zu beachten, dass eine ausreichende Belüftung der Endstufe möglich ist. Zwischen der Endstufen-Rückseite und der Schrank/Rack-Innenseite ist ein freier Luftkanal von mindestens 60 mm x 330 mm bis zur oberen Rack- oder Schrankentlüftung vorzusehen. Oberhalb des Schrankes soll ein freier Raum von mindestens 100 mm für die Entlüftung vorgesehen werden. Da während des Betriebs der Endstufe die Temperatur im Gehäuse- oder Schrank auf bis zu 40 °C ansteigen kann, muss die maximal zulässige Umgebungstemperatur der übrigen im Gestellschrank befindlichen Geräte beachtet werden. Endstufen der DSA Serie können in Racks ohne Abstand direkt übereinander montiert werden. Da sich die Gehäuse der DSA Verstärker im Betrieb erwärmen, kann es jedoch sinnvoll sein zu anderen Geräten ohne Zwangskühlung (Controller, System Manager etc.) 1 Höheneinheit (1 HE) Abstand zu halten.

ACHTUNG: Die Lüftungsöffnungen der Endstufe dürfen nicht blockiert/verschlossen werden. Bei fehlender Kühlung kann sich die Endstufe automatisch abschalten. Halten Sie alle Lüftungsöffnungen frei von Staubablagerungen, die den Luftstrom behindern würden. Betreiben Sie die Endstufe nicht in der Nähe von Wärmequellen wie Heizlüftern, Öfen oder anderen Geräten, die Hitze abstrahlen. Die maximale Umgebungstemperatur von +40°C soll für störungsfreien Betrieb nicht überschritten werden.

Für Installationen mit einem zentralen Kühlluftsystem oder Klimageräten, wie es häufig bei Festinstallationen in speziellen Geräteraum verwendet wird, kann es nötig sein die maximale Wärme-Emission zu berechnen. Beachten Sie hierzu die Hinweise auf Seite 22.

LÜFTER

Die Endstufen der DSA-Serie besitzen zwei Lüfter. Es erfolgt keine Dauerlüftung der Endstufe sondern eine temperaturabhängige, stufenlose Geschwindigkeitsregelung der einzelnen Lüfter. Hierdurch wird eine sehr geringe Geräusentwicklung im Ruhebetrieb erreicht. Die Temperaturen der Endstufe werden kanalweise getrennt erfasst und überwacht.

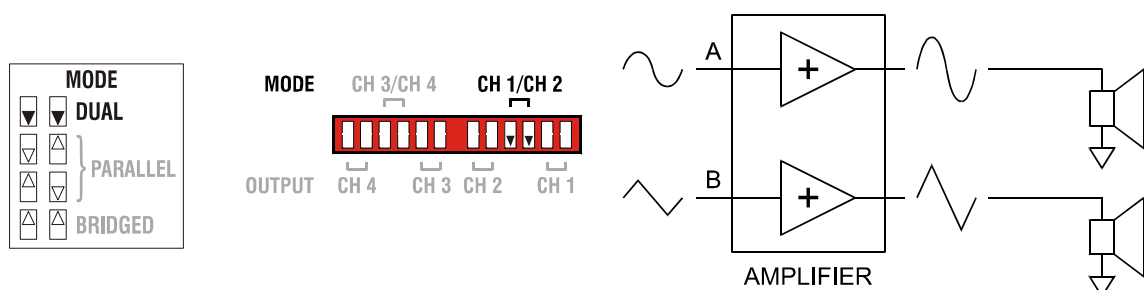
2.6 Wahl der Betriebsart (MODE)

Die Stellung des MODE Schalters an der Rückseite der Endstufe bestimmt die Schaltung der Audioeingänge. Bei den Endstufen-Typen DSA 8405 und DSA 8410 kann die Schaltung der Audioeingänge CH 1/CH 2 bzw. CH 3/CH 4 konfiguriert werden, beim Endstufen-Typ DSA 8805 sind zusätzlich die Audioeingänge CH 5/CH 6 bzw. CH 7/CH 8 konfigurierbar. In den folgenden Beschreibungen der Schalterstellungen DUAL, PARALLEL bzw. BRIDGED sind die beiden Audioeingänge der MODE Schalter jeweils mit Kanal A bzw. B bezeichnet (Beispiel: Für Schalter CH 1/CH 2 entspricht A dem CH 1 und B dem CH 2).

DUAL

In der Betriebsart DUAL arbeiten die Kanalpaare unabhängig voneinander. Diese Betriebsart wird bei allen 2-kanaligen Anwendungen wie Stereobetrieb oder der Beschallung von getrennten Zonen verwendet. Über die Eingangspegel-Regler an der Rückseite der Endstufe lässt sich die Verstärkung der Kanäle getrennt justieren.

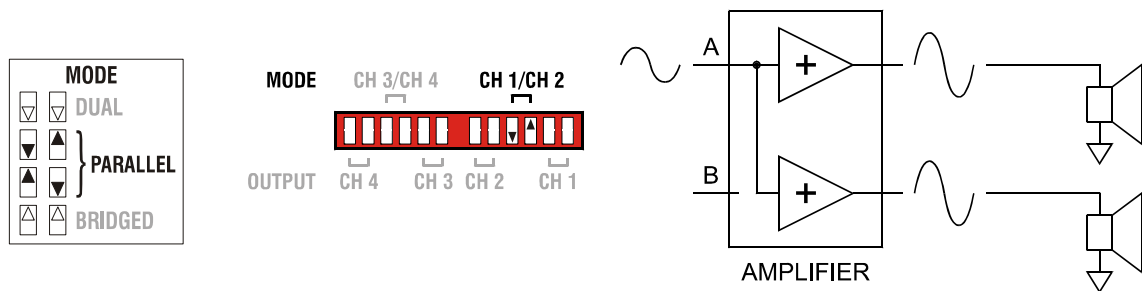
Abbildung 2-5: Einspeisung an beiden Eingängen bei Betriebsart DUAL



PARALLEL

In der Betriebsart PARALLEL sind die Eingänge der Kanäle A und B direkt elektrisch verbunden (gelinkt). Das Eingangssignal ist über den Eingang des Kanals A zuzuführen. Da nur die Eingänge der beiden Kanäle miteinander verbunden sind, lässt sich weiterhin über die Eingangspegel-Regler die Verstärkung der beiden Endstufenkanäle getrennt einstellen. Die Betriebsart PARALLEL empfiehlt sich dann, wenn in größeren Anlagen mehrere Endstufenkanäle mit dem gleichen Signal angesteuert werden sollen, z. B. beim Antrieb von größeren Bassarrays.

Abbildung 2-6: Einspeisung an Eingang A bei Betriebsart PARALLEL

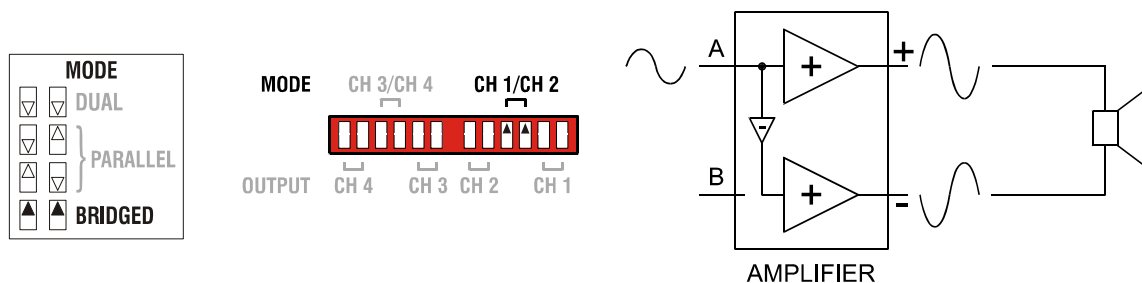


ACHTUNG: In der Betriebsart PARALLEL kann nur am Eingangskanal A ein Signal eingespeist werden.

BRIDGED

In der Betriebsart BRIDGED arbeiten die gebrückten Kanäle als einkanaliger Mono-Block. Das Eingangssignal ist über den Eingang des Kanals A zuzuführen, die Eingänge des Kanals B sind inaktiv. Bei dieser Betriebsart wird die Endstufe im Kanal A ganz normal angesteuert. Zusätzlich wird das Signal intern invertiert und auf die Endstufe im Kanal B gelegt. Die Endstufen A und B arbeiten dann im Gegentakt mit verdoppelter Ausgangsspannung. Diese Verdoppelung der Ausgangsspannung ist bei der Verwendung von externen Limitern zu berücksichtigen, da im Brückenbetrieb das jeweilige Kanalpaar 6 dB mehr Verstärkung als ein Einzelkanal hat. Der Threshold eines externen Limiters muss demnach um 6 dB niedriger eingestellt werden, um am Lautsprecher wieder auf die gleiche maximale Spannung zu begrenzen.

Abbildung 2-7: Betriebsart BRIDGED



ACHTUNG: In der Betriebsart BRIDGED darf die angegebene minimale Last nicht unterschritten werden. Die in folgender Tabelle angegebenen Werte müssen beachtet werden. Es können sehr hohe Spannungen am Ausgang produziert werden. Die angeschlossenen Lautsprecher müssen für derart hohe Spannungen ausgelegt sein. Beachten Sie unbedingt die Leistungsangaben im Datenblatt des jeweiligen Lautsprechers und vergleichen Sie diese mit der entsprechenden Ausgangsleistung der Endstufe.

Ausgangs-Modus	2 Ω	4 Ω	70 V	100 V
DSA 8405	4 Ω	8 Ω	1000 W an 140 V (≈20 Ω)	1000 W an 200 V (≈40 Ω)
DSA 8410	4 Ω	8 Ω	2000 W an 140 V (≈10 Ω)	2000 W an 200 V (≈20 Ω)
DSA 8805	4 Ω	8 Ω	1000 W an 140 V (≈20 Ω)	1000 W an 200 V (≈40 Ω)

Tabelle 2-8: Minimal zulässige Last im Brückenbetrieb

2.7 Wahl des Ausgangs-Modus (OUTPUT)

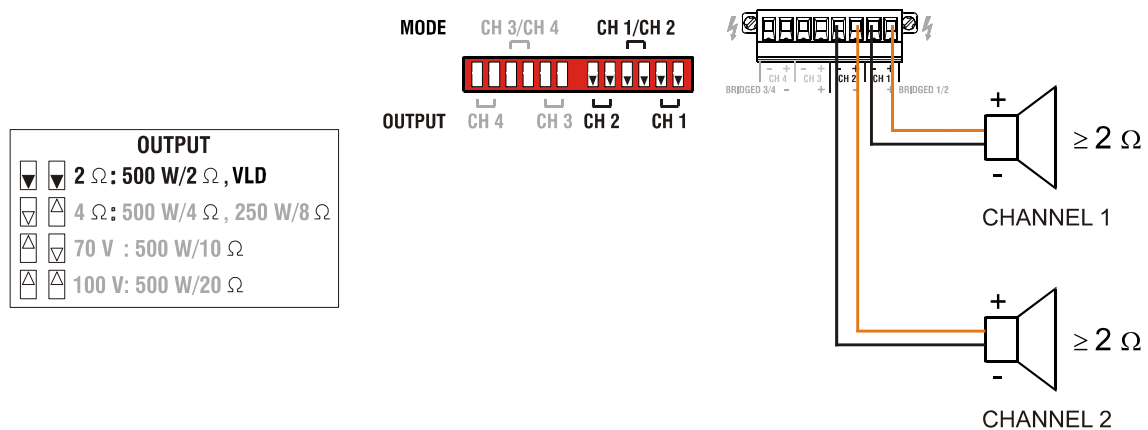
Die Endstufenkanäle der Endstufen DSA 8405/8410/8805 können auf verschiedene Ausgangsmodi umgeschaltet werden. Bei Bedarf kann jeder Kanal einzeln auf Hochimpedanzbetrieb (HZ) umgeschaltet werden, um 70 V und 100 V Lautsprecherlinien direkt ohne Ausgangsübertrager (Direct Drive) anzutreiben. In den Betriebsarten DUAL und PARALLEL eines Ausgangskanal-Paares können die Ausgangsmodi der Ausgangskanäle unabhängig voneinander eingestellt werden. In der Betriebsart BRIDGED eines Ausgangskanal-Paares ist nur die OUTPUT-Einstellung des Kanals mit ungerader Nummer (also 1, 3, 5 bzw. 7) relevant, die OUTPUT-Einstellung des Kanals mit gerader Nummer (also 2, 4, 6 bzw. 8) wird ignoriert.

Im Folgenden werden die vier verschiedenen Ausgangsmodi beschrieben und mit Abbildungen verdeutlicht.

2 OHM / VLD-MODUS

Im 2 Ohm-Modus erreicht die Endstufe die maximale Ausgangsleistung bei einer Last von 2 Ω . Es können zum Beispiel bis zu 4 Kabinette mit einer Nominalimpedanz von 8 Ω pro Kanal betrieben werden. Dieser Modus ist vorteilhaft, wenn viele Lautsprecher mittlerer und kleiner Leistung im Niederimpedanzbetrieb (LZ) angetrieben werden sollen. Bei eingebautem Remote Control Modul ist in diesem Modus eine individuelle Anpassung der Ausgangsleistung (VLD) möglich. Informationen zur Betriebsart Variable Load Drive (VLD) finden Sie auf Seite 26.

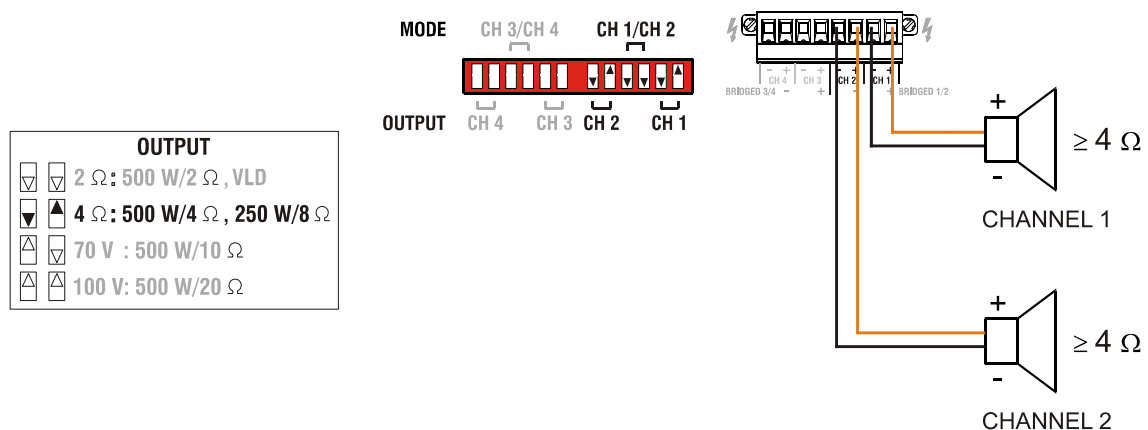
Abbildung 2-9: DUAL-Schaltung von CH 1 und CH 2 im 2 Ohm-Modus



4 OHM-MODUS

Der 4 Ohm-Modus ist der Auslieferungszustand. In diesem Modus erreicht die Endstufe die maximale Ausgangsleistung bei einer Last von 4 Ω , d.h. pro Kanal können zwei Kabinette mit einer Nominalimpedanz von 8 Ω pro Kanal betrieben werden. Der 4 Ohm-Modus ist zum Beispiel für den Antrieb von größeren Kabinetten und zum Antrieb von Basslautsprechern (Subwoofer) im Niederimpedanzbetrieb (LZ) vorteilhaft.

Abbildung 2-10: DUAL-Schaltung von CH 1 und CH 2 im 4 Ohm-Modus

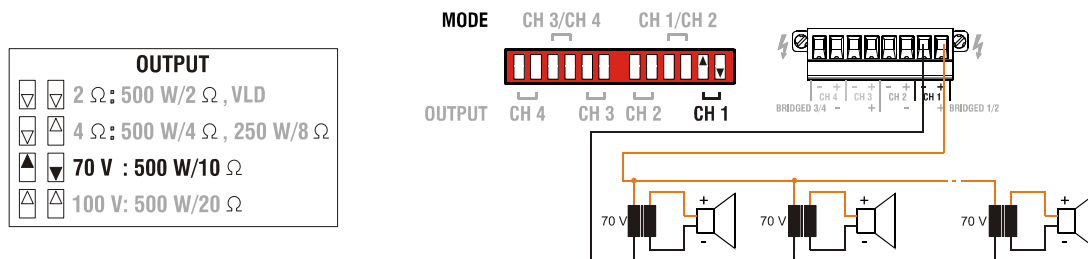


70 V-Modus

Der 70 V Modus erlaubt den direkten Antrieb (Direct Drive) von 70 V Lautsprecherlinien im Hochimpedanzbetrieb (HZ) ohne Ausgangsübertrager. Pro Kanal können dann maximal so viele Lautsprecher angeschlossen werden, bis die Gesamtleistungsaufnahme der Lautsprecherlinie dem Leistungswert des Verstärkers (500 W bei DSA 8405/8805 bzw. 1000 W bei DSA 8410) entspricht.

Der 70 V-Modus ist vorteilhaft wenn die Entfernung zwischen Verstärker und Lautsprecher mehr als 50 Meter beträgt und/oder eine Vielzahl von Kleinlautsprechern mit Übertrager (z.B. Deckenlautsprecher) angetrieben werden sollen.

Abbildung 2-11: CH 1 im 70 V-Modus

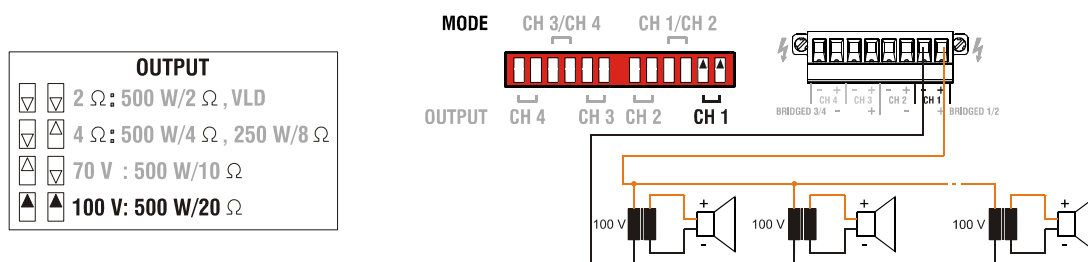


100 V-Modus

Der 100 V-Modus erlaubt den direkten Antrieb (Direct Drive) von 100 V Lautsprecherlinien im Hochimpedanzbetrieb (HZ) ohne Ausgangsübertrager. Pro Kanal können dann maximal so viele Lautsprecher angeschlossen werden, bis die Gesamtleistungsaufnahme der Lautsprecherlinie dem Leistungswert des Verstärkers (500 W bei DSA 8405/8805 bzw. 1000 W bei DSA 8410) entspricht.

Der 100 V-Modus ist vorteilhaft wenn die Entfernung zwischen Verstärker und Lautsprecher mehr als 50 Meter beträgt und/oder eine Vielzahl von Kleinlautsprechern mit Übertrager (z.B. Deckenlautsprecher) angetrieben werden sollen.

Abbildung 2-12: CH 1 im 100 V-Modus



2.8 Variable Load Drive (VLD)

Die im vorhergehenden Kapitel beschriebene Wahl des Ausgangsmodus erlaubt eine äußerst praktische Anpassung des Verstärkers an die angeschlossenen Lautsprecher. Tabelle 2.3 zeigt alle möglichen Kombinationen von Ausgangsleistung und angeschlossener Last der Endstufen im Niederimpedanzbetrieb. Durch Einbau eines optionalen Remote Control Moduls (z.B. RCM-810) kann mittels Variable Load Drive (VLD) die Ausgangsleistung der einzelnen Verstärkerkanäle frei programmiert werden. Bei den Endstufen-Typen DSA 8405 und DSA 8805 kann pro Kanal die Ausgangsleistung im Bereich von 100 W bis 500 W für eine Last von 2 Ω bis 10 Ω frei gewählt werden. Beim Endstufen-Typ DSA 8410 kann pro Kanal die Ausgangsleistung im Bereich von 100 W bis 1000 W für eine Last von 2 Ω bis 10 Ω frei gewählt werden. Zusätzlich ermöglicht das RCM-810 die Zuschaltung eines 50 Hz Hochpass-Filters je Kanal. Dies kann beim Antrieb von kleineren und mittleren Fullrangekabinetten vorteilhaft sein, um unerwünschte tieffrequente Signale auszufiltern.

Zur Verwendung von VLD in einer Endstufe mit eingebautem Remote Control Modul gehen Sie bitte folgendermaßen vor:

- Schalten Sie die Endstufenkanäle, die im VLD-Modus betrieben werden sollen, über den DIP-Schalter MODE (siehe Seite 25) in die Betriebsart „2 Ω /VLD“
- Schalten Sie die Endstufenkanäle, die im VLD-Modus betrieben werden sollen, über den DIP-Schalter OUTPUT in den Ausgangs-Modus DUAL oder PARALLEL (Seite 28). Im Ausgangs-Modus BRIDGED steht VLD nicht zur Verfügung.
- Verwenden Sie IRIS-Net (siehe Seite 30) zur Konfiguration von Ausgangsleistung, Impedanz und Hochpass der einzelnen Kanäle. Sämtliche Details zur Konfiguration, Steuerung und Überwachung von Verstärkern mit eingebauten Remote Control Modulen sind in der Dokumentation der Software IRIS-Net enthalten.

Die Konfiguration der Endstufenkanäle wird nichtflüchtig im Remote Control Module gespeichert. Bitte beachten Sie, dass sich die VLD-Konfiguration in IRIS-Net nur in der Betriebsart „2 Ω /VLD“ eines Kanals auswirkt. Die Be-

triebsarten 4 Ω , 70 V und 100 V verhalten sich unverändert wie in Kapitel 2.7 beschrieben. Durch die Verwendung von VLD erweitern sich die Anpassungsmöglichkeiten der Endstufe beträchtlich. Einige Anwendungsfälle von VLD finden sich in folgender Tabelle.

	2 Ω	4 Ω	8 Ω
125 W			2 Ω Mode DSA 8x05
250 W		2 Ω Mode DSA 8x05	4 Ω Mode DSA 8x05 oder 2 Ω Mode DSA 8410
500 W	2 Ω Mode DSA 8x05	4 Ω Mode DSA 8x05 oder 2 Ω Mode DSA 8410	4 Ω Mode DSA 8410 oder Bridge 2 Ω DSA 8x05
1000 W	2 Ω Mode DSA 8410	4 Ω Mode DSA 8410 oder Bridge 2 Ω DSA 8x05	Bridge 4 Ω DSA 8x05 oder Bridge 2 Ω DSA 8410
2000 W		Bridge 2 Ω DSA 8410	Bridge 4 Ω DSA 8410

Tabelle 2-13: Maximale Ausgangsleistung je Kanal (VLD deaktiviert)

	2 Ω	4 Ω	8 Ω
125 W	VLD, alle Typen	VLD, alle Typen	2 Ω Mode DSA 8x05 oder VLD DSA 8410
250 W	VLD, alle Typen	2 Ω Mode DSA 8x05 oder VLD DSA 8410	4 Ω Mode DSA 8x05 oder 2 Ω Mode DSA 8410
500 W	VLD DSA 8410 oder 2 Ω Mode DSA 8x05	4 Ω Mode DSA 8x05 oder 2 Ω Mode DSA 8410	VLD DSA 8x05 oder 4 Ω Mode DSA 8410 oder Bridge 2 Ω DSA 8x05
1000 W	2 Ω Mode DSA 8410	4 Ω Mode DSA 8410 oder Bridge 2 Ω DSA 8x05	VLD DSA 8410 oder Bridge 4 Ω DSA 8x05 oder Bridge 2 Ω DSA 8410
2000 W		Bridge 2 Ω DSA 8410	Bridge 4 Ω DSA 8410

Tabelle 2-14: Maximum Output Power (VLD activated)

2.9 Einschaltverzögerung

Über den Einschaltverzögerungs-Wahlschalter (ON DELAY) auf der Rückseite der Endstufe kann die Zeitspanne eingestellt werden, um die der Einschaltvorgang verzögert werden soll. Folgende Tabelle zeigt die möglichen Schalterstellungen und zugehörigen Verzögerungszeiten in Sekunden.

ON DELAY	0	1	2	3	4	5	6	7	8	9	A	B	C	D	E	F
Einschaltverzögerung (in s)	0	0.15	0.3	0.45	0.6	0.75	0.9	1.05	1.2	1.35	1.5	1.65	1.8	1.95	2.1	2.25

ACHTUNG: Die ON DELAY Einstellung wird ignoriert, wenn ein Remote Control Module eingebaut ist.

2.10 Audio Verkabelung

EINGANG

Die Phoenix-Eingänge INPUT sind elektronisch symmetrisch ausgelegt. Wenn möglich, sollte stets ein symmetrisches Audiosignal am Eingang der Endstufe verwendet werden. Falls das/die Anschlusskabel sehr kurz sind und keine Störsignale in der Umgebung der Endstufe zu erwarten sind, kann auch ein unsymmetrisches Signal angeschlossen werden. In diesem Fall ist es zwingend erforderlich eine Brücke im Eingangsstecker zwischen Schirm und dem invertierenden Eingang zu schalten, da ansonsten ein Pegelverlust von 6 dB auftreten kann. Vergleichen Sie dazu bitte folgende Abbildung. Aus Gründen der Störfestigkeit gegenüber externen Störquellen wie z.

B. Dimmer, Netzzuführungen, HF-Steuerleitungen usw. ist jedoch eine symmetrische Verkabelung immer zu bevorzugen.

Abbildung 2-15: Symmetrische Beschaltung des Eingangs

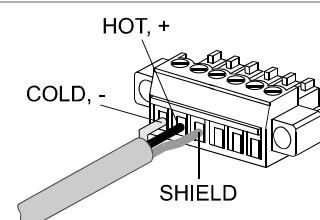
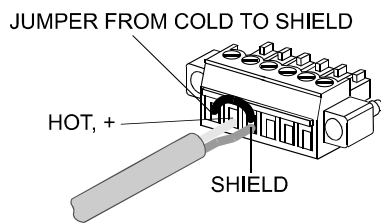


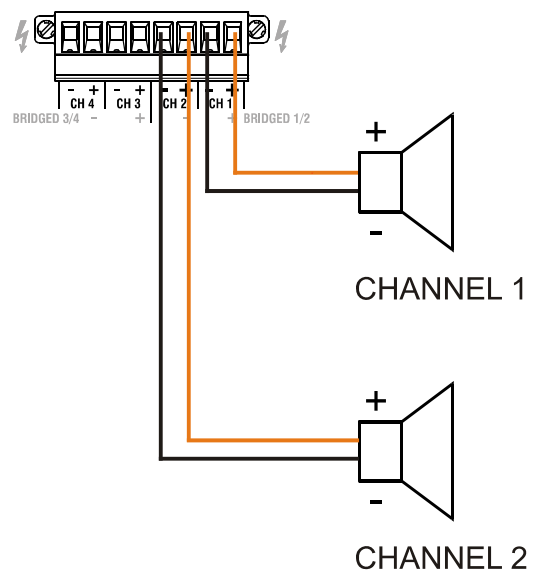
Abbildung 2-16: Unsymmetrische Beschaltung des Eingangs



AUSGANG IN BETRIEBSART DUAL BZW. PARALLEL

In der Betriebsart DUAL bzw. PARALLEL werden die Lautsprecher entsprechend nebenstehender Abbildung angeschlossen. Es ist nur der Anschluss an den Ausgängen CH 1 und CH 2 dargestellt, für weitere vorhandene Ausgänge erfolgt der Anschluss in gleicher Weise. Die korrekte Anschlussweise für diese Betriebsart ist zusätzlich auf der Endstufe selbst abgebildet.

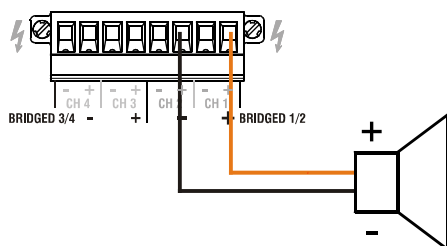
Abbildung 2-17: Betriebsart DUAL bzw. PARALLEL



AUSGANG IN BETRIEBSART BRÜCKENBETRIEB (BRIDGED)

In der Betriebsart BRIDGED werden Lautsprecher entsprechend nebenstehender Abbildung angeschlossen. Es ist nur der Anschluss an den Ausgängen CH 1 und CH 2 dargestellt, für weitere vorhandene Ausgänge erfolgt der Anschluss in gleicher Weise. Die korrekte Anschlussweise für diese Betriebsart ist zusätzlich auf der Endstufe selbst abgebildet.

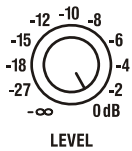
Abbildung 2-18: Brückenbetrieb



ACHTUNG: Im Brückenbetrieb darf die angegebene minimal Last nicht unterschritten werden (siehe Tabelle 2.2 auf Seite 24). Es können sehr hohe Spannungen am Ausgang produziert werden. Die angeschlossenen Lautsprecher müssen für derart hohe Spannungen ausgelegt sein. Beachten Sie unbedingt die Leistungsangaben im Datenblatt des jeweiligen Lautsprechers und vergleichen Sie diese mit der entsprechenden Ausgangsleistung der Endstufe.

3 Betrieb

3.1 Eingangspegel-Regler



In den Betriebsarten DUAL und PARALLEL regeln die Eingangspegel-Regler LEVEL an der Rückseite der Endstufe die Verstärkung des jeweiligen Kanals. Die Skala ist in dB angegeben. Drehung nach rechts erhöht die Lautstärke, Drehung nach links verringert die Lautstärke. In der Betriebsart BRIDGED eines Ausgangskanal-Paares regelt nur der Drehknopf des Kanals mit ungerader Nummer (also 1, 3, 5 bzw. 7) die Lautstärke, die Drehknopf-Einstellung des Kanals mit gerader Nummer (also 2, 4, 6 bzw. 8) wird ignoriert.

3.2 Anzeigen

PROTECT

PROT Wenn die PROT-LED eines Kanals gelb aufleuchtet, hat eine der internen Schutzschaltungen der Endstufe angesprochen. Die Endstufen werden in diesem Fall von der Last getrennt und die Signalfuhr unterbrochen, um etwaige Schäden an den Lautsprechern oder der Endstufe zu verhindern. Die Fehlerursache, beispielsweise eine kurzgeschlossene Lautsprecherleitung muss beseitigt werden. Bei Überhitzung schaltet sich die Endstufe nach einiger Zeit selbstständig wieder in den normalen Betriebszustand.

MUTE

MUTE Die MUTE-LED eines Kanals leuchtet rot auf, wenn die Endstufe über IRIS-Net stumm geschaltet ist.

-30dB...LIMIT

LIMIT Die Pegelanzeige an der Frontseite der Endstufe erfolgt getrennt für die beiden Kanäle mit den jeweiligen LEDs -30dB, -10dB und -3dB unter Vollaussteuerung. Die LIMIT-LED leuchtet auf, sobald einer der eingebauten dynamischen Audio-Limiter anspricht und die Endstufe über der Aussteuerungsgrenze oder generell im Grenzbereich betrieben wird. Kurzzeitiges Aufleuchten ist dabei unproblematisch, da der interne Limiter Eingangspegel bis zu +21 dBu auf einen akustisch unkritischen Klirrfaktor von ca. 1 % ausregeln kann. Leuchtet die LIMIT-LED jedoch dauerhaft, sollte die Lautstärke reduziert werden, um etwaige Überlastungsschäden der angeschlossenen Lautsprecherboxen zu vermeiden.

POWER

POWER Die POWER-LED leuchtet grün auf, wenn die Endstufe eingeschaltet ist. Falls die POWER-LED trotz eingeschaltetem Gerät nicht leuchtet, ist das Gerät entweder nicht mit dem Stromnetz verbunden oder die Primärsicherung ist defekt.

STANDBY

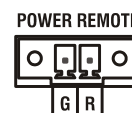
STANDBY Die STANDBY-LED leuchtet gelb, wenn sich die Endstufe im Standby-Modus befindet. Im Standby-Modus ist die Leistungsaufnahme des Gerätes auf ein Minimum reduziert. Die Aktivierung des Standby-Modus ist über IRIS-Net oder über die POWER REMOTE Buchse möglich.

IRIS-NET

IRIS-Net Falls ein IRIS-Net-kompatibles Remote Control Modul in den Erweiterungssteckplatz der Endstufe eingebaut ist, wird die erfolgreiche Datenkommunikation durch blaues Aufleuchten der IRIS-Net-LED angezeigt. Wird in IRIS-Net die Suchfunktion „Find“ zum Auffinden einer Endstufe in einem Rack aktiviert, blinkt die IRIS-Net-LED der gewählten Endstufe.

3.3 Standby-Modus (POWER REMOTE)

R — G POWER ON
R — G STANDBY



Über den Anschluss POWER REMOTE kann die Endstufe auf einfache Weise ferngesteuert ein- und ausgeschaltet werden. Die

POWER REMOTE Funktion kommt nur bei Geräten ohne Remote Control Modul zum Tragen. Eine Steuerung von Geräten mit Remote Control Modul per POWER REMOTE ist nicht sinnvoll. Werden die Pins der POWER REMOTE Buchse offen gelassen so schaltet das Gerät ein. Bei einer Verbindung der Pins schaltet das Gerät in den Standby-Modus.

4 Optionen

Durch den Einbau eines optionalen Zusatzmoduls in den Erweiterungssteckplatz an der Rückseite kann der Funktionsumfang der Endstufe erhöht werden. Als Beispiel wird im folgenden das RCM-810 Remote Control Modul aufgeführt. Bitte beachten Sie bei allen Zusatzmodulen die jeweils mitgelieferte Bedienungsanleitung

4.1 RCM-810

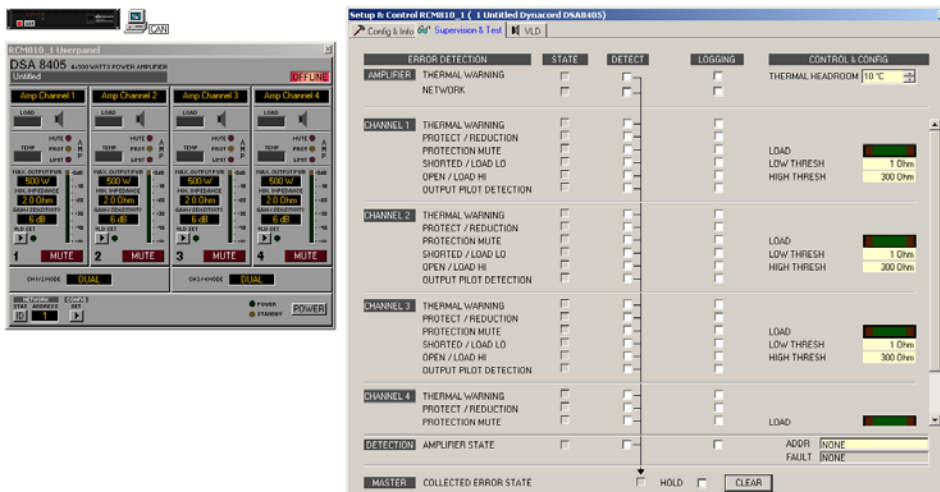
SYSTEMBESCHREIBUNG

Das RCM-810 Remote Control Modul ist ein Digital-Controller Modul für Live Sound, PA und Festinstallation. Durch den Einbau des RCM-810 wird aus einem konventionellen Verstärker ein Remote Amplifier, und man hat zu jedem Zeitpunkt einen vollständigen Überblick über den gesamten Systemzustand und die Kontrolle über Systemparameter. RCM-810 Module erlauben die Integration der Verstärker in ein Remote-Control Netzwerk mit bis zu 100 Geräten. IRIS-Net kann mehrere Remote-Control-Netzwerke mit bis zu 250 Geräten verwalten. Damit kann ein komplettes PA-System von einem oder mehreren PCs mit Hilfe der Software IRIS-Net - Intelligent Remote & Integrated Su-

pervision - gesteuert und überwacht werden. Sämtliche Betriebszustände, z. B. Einschalt-status, Temperatur, Ansprechen von Schutzschaltungen, Lastimpedanz usw., werden in IRIS-Net zentral erfasst und dargestellt. Dadurch kann schon vor dem Auftreten von kritischen Betriebszuständen reagiert und gezielt eingegriffen werden. Eine automatische Reaktion bei Über- oder Unterschreitung bestimmter Grenzwerte ist ebenfalls programmierbar.

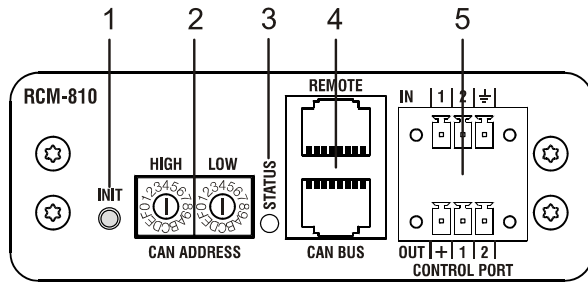
Parameter der Endstufe, z. B. Power On/Off, Mute usw. sind in Echtzeit steuerbar und können im Verstärker abgespeichert werden. Unabhängig von der Kontrolle durch das Netzwerk bleiben in einem Havariefall alle Einstellungen erhalten.

Weiterhin findet sich am RCM-810 ein Control Port mit frei programmierbaren Steuereingängen und Steuerausgängen. An die Steuereingänge (GPI's) können Schalter angeschlossen werden. In IRIS-Net lassen sich beliebige Logikfunktionen für die Eingänge programmieren. An den Steuerausgängen (GPO's) können externe Elemente angeschlossen werden, die etwa zur Signalisierung bestimmter Zustände verwendet werden. Sämtliche Details zur Konfiguration, Steuerung und Überwachung von Verstärkern mit eingebauten RCM-810 Modulen sind in der Dokumentation der Software IRIS-Net enthalten. Die aktuellste Version von IRIS-Net erhalten Sie stets auf www.dynacord.de.



BEDIENELEMENTE UND ANSCHLÜSSE

Abbildung 4-1: Bedienelemente und Anschlüsse des RCM-810



1 INIT-Taste



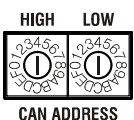
Die INIT-Taste erlaubt das Zurücksetzen des RCM-810 auf die Werkseinstellungen. Betätigen Sie hierzu die Taste z. B. mit einem kleinen Schraubenzieher für mindestens 3 Sekunden. Tabelle 4.1 zeigt die zurückgesetzten Parameter.

ACHTUNG: Alle Einstellungen des RCM-810, die Sie in IRIS-Net vorgenommen haben, werden bei Betätigung der INIT-Taste gelöscht.

Parameter	Wert
CAN-Bus Datenrate	10 kbit/s
Power-On-Delay	0 ms
Amplifier & Channel Labels	RCM-810 Module, RCM-810 Input, RCM-810 Output
Supervision	nicht konfiguriert
Control Ports und Job Numbers	nicht konfiguriert
VLD	deaktiviert

Tabelle 4-2: Werkseinstellungen des RCM-810

2 CAN ADDRESS-Wahlschalter



Mit den beiden Adress-Wahlschaltern wird die Netzwerk-Adresse des RCM-810 eingestellt. In einem CAN-Netzwerk können die Adressen 01 bis 250 (FA hex) verwendet werden. Die Adresseinstellung erfolgt im hexadezimalen Zahlensystem. Der Wahlschalter LOW ist für das niederwertige Digit, der Schalter HIGH für das höherwertige Digit.

ACHTUNG: Jede Adresse darf im System nur einmal vorkommen, da es sonst zu Netzwerk-Konflikten kommt.

HIGH	LOW	Adresse
0	0	Stand-alone
0	1...F	1...15
1	0...F	16...31
2	0...F	32...47
3	0...F	48...63
4	0...F	64...79
5	0...F	80...95
6	0...F	96...111

Tabelle 4-3: CAN-Adressen

HIGH	LOW	Adresse
7	0...F	112...127
8	0...F	128...143
9	0...F	144...159
A	0...F	160...175
B	0...F	176...191
C	0...F	192...207
D	0...F	208...223
E	0...F	224...239
F	0...A	240...250
F	B...F	reserviert

Tabelle 4-3: CAN-Adressen

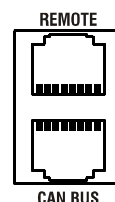
Die Adresse 0 (00 hex, Auslieferungszustand) sorgt dafür, dass das RCM-810 von der Remote-Kommunikation getrennt ist. Das Modul erscheint somit nicht im System, auch wenn es am CAN-Bus angesteckt ist.

3 STATUS LED



Die STATUS-LED dient zur Kontrolle der Kommunikation am CAN-Bus. Die LED blinkt regelmäßig alle 3 Sekunden kurz auf, wenn das Modul mit 00 adressiert und damit softwaremäßig vom CAN-Bus abgekoppelt ist. Wenn eine Adresse zwischen 01 und 250 eingestellt ist, aber noch keine CAN-Bus Aktivität stattgefunden hat, blinkt die LED regelmäßig jede Sekunde kurz auf. Sobald eine Kommunikation am CAN-Bus erkannt wurde, wird die LED immer dann für mindestens 100 ms aktiviert, wenn die Endstufe selbst Daten auf den CAN-Bus sendet.

4 REMOTE CAN BUS-Anschlüsse



Das RCM-810-Modul besitzt zwei RJ-45-Buchsen für den REMOTE CAN BUS. Die Buchsen sind parallel geschaltet und dienen als Eingang und zum Weiterschleifen des Remote-Netzwerkes. Zur Verkabelung innerhalb des Racks können handelsübliche RJ-45-Netzwerkkabel verwendet werden. Bei größeren Leitungslängen sind die CAN-Richtlinien zu beachten. Der CAN-Bus benötigt an beiden Enden einen 120 Ω Abschluss-Stecker.

Der CAN-Bus erlaubt die Verwendung unterschiedlicher Datenraten, wobei die Datenrate indirekt proportional zur Buslänge ist. Wenn das Netzwerk nur eine geringe Ausdehnung hat, sind Datenraten bis zu 500 kbit/s möglich. Bei größeren Ausdehnungen muss die Datenrate herabgesetzt werden (bis zur minimalen Datenrate von 10 kbit/s).

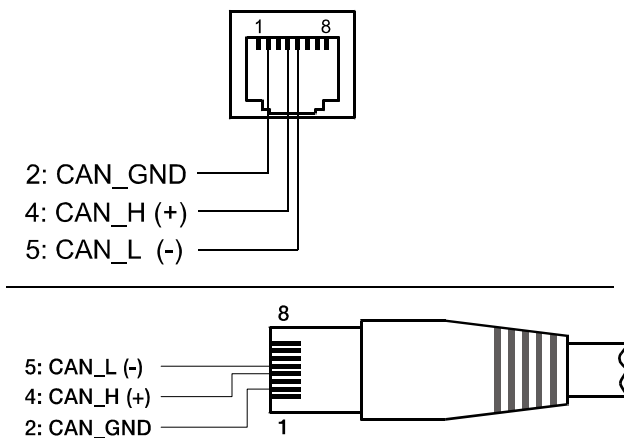
HINWEIS: Die Datenrate ist auf 10 kbit/s voreingestellt.

Die folgende Tabelle erläutert den Zusammenhang zwischen Datenrate und Buslänge bzw. Netzwerkausdehnung. Buslängen über 1000 Meter sollten grundsätzlich nur mit CAN-Repeatern realisiert werden.

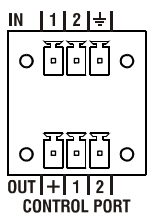
Datenrate (in kbit/s)	Buslänge (in m)
500	100
250	250
125	500
62,5	1000
20	2500
10	5000

Tabelle 4-4: Datenrate und Buslänge in CAN-Netzwerken

Abbildung 4-5: Belegung der CAN-Buchse und des CAN-Steckers



5 CONTROL PORT



Der CONTROL PORT des RCM-810 enthält zwei Steuereingänge, zwei Steuerausgänge und Referenzanschlüsse für +5V und Masse. Die Steuereingänge sind mit Hilfe von IRIS-Net konfigurierbar und können z. B. zur Power On / Standby Umschaltung verwendet werden. Die beiden Steuerkontakte IN 1 und IN 2 liegen intern über Pull-Up Widerstände auf +5V

(offen). Zum Aktivieren können die Steuereingänge über externe Schalter, Taster oder Relais gegen Masse geschlossen werden. Die beiden Steuerausgänge OUT 1 und OUT 2 sind Open Collector Outputs, die im nichtaktiven Zustand (Off) hochohmig sind. Im aktiven Zustand (On) sind die Ausgänge gegen Masse geschlossen. Die Steuerausgänge werden über IRIS-Net konfiguriert und dienen zur Signalisierung interner Zustände. LEDs, Kontrollleuchten oder Relais können direkt angesteuert werden. Der +5V Referenzanschluss dient zur Versorgung der extern angeschlossenen Elemente.

ACHTUNG: Der maximale Gesamtstrom am Ausgang +5V beträgt 200 mA.

5 Specifications/Technische Daten

5.1 DSA 8405

Amplifier at rated conditions, all channels driven, rated loads, unless otherwise specified.

Load Impedance	Low Impedance Mode			High Impedance Mode	
	2 Ω ¹	4 Ω ²	8 Ω ²	70 V / 10 Ω ³	100 V / 20 Ω ⁴
Maximum Midband Output Power THD = 1%, 1 kHz, 4 channels driven	500 W ⁵	500 W	250 W VLD: 500 W ¹¹	500 W	500 W
Rated Output Power THD < 0.3%, 20 Hz ⁶ ...20 kHz, 4 ch. driven	450 W	450 W	225 W VLD: 450 W ¹¹	450 W	450 W
Maximum Bridged Output Power THD= 1%, 1 kHz	-	1000 W ¹	1000 W	1000 W ⁷	1000 W ⁸
Maximum RMS Voltage Swing THD = 1%, 1 kHz	32 V	45 V	45 V VLD: 63 V ¹¹	70 V	100 V
Power Bandwidth THD = 1%, ref. 1 kHz, half power @ rated load	10 Hz...25 kHz			50 Hz...25 kHz	
Voltage Gain, ref. 1 kHz	32 dB	32 dB	32 dB	33 dB	36 dB
Input Sensitivity, rated power, 1 kHz	0.775 V (+0.0 dBu)	1.1 V (+3.0 dBu)	1.1 V (+3.0 dBu)	1.55 V (+6.0 dBu)	1.55 V (+6.0 dBu)
THD at rated output power, MBW = 80 kHz, 1 kHz	< 0.05%				
IMD-SMPTE, 60 Hz, 7 kHz	< 0.05%				
DIM30, 3.15 kHz, 15 kHz	< 0.02%				
Maximum Input Level	+22 dBu (9.76 V _{rms})				
Crosstalk, ref. 1 kHz, at rated output power	< -80 dB				
Frequency Response, ref. 1 kHz, 8 Ω load	15 Hz ⁶ ...30 kHz (\pm 1 dB)				
Input Impedance, active balanced	20 k Ω				
Damping Factor, 1 kHz, 8 Ω	> 240				
Slew Rate	28 V/ μ s				
Signal to Noise Ratio Amplifier, A-weighted	98 dB	100 dB	100 dB	104 dB	106 dB
Output Noise, A-weighted	< -66 dBu	< -65 dBu	< -65 dBu	< -65 dBu	< -64 dBu
Output Stage Topology	Class D				
Power Requirements (factory configured)	220-240 V, 50-60 Hz or 120 V, 50-60 Hz or 100 V ⁹ , 50-60 Hz				
Power Consumption, 1/8 maximum output power	490 W				
Protection	Audio Limiters, High Temperature, DC, HF, Short Circuit, Peak Current Limiters, Inrush Current Limiters, Turn-on Delay, Mains Circuit Breaker Protection, Mains Over/Undervoltage Protection				
Cooling	Front-to-Rear, temperature controlled fans				
Ambient Temperatur Limits	+5 °C...+40 °C (40 °F...105 °F)				
Safety Class	I				
Dimensions (W x H x D), mm	481 x 88.0 x 421 ¹⁰				
Weight	11.1 kg (24.3 lbs)				
Optional: Rear-rackmount	D113223 (RMK-15)				

1 Output Mode 2 Ω (500 W at 2 Ω , 250 W at 4 Ω , 125 W at 8 Ω)

2 Output Mode 4 Ω (500 W at 4 Ω , 250 W at 8 Ω)

3 Output Mode 70 V

4 Output Mode 100 V

5 Depending on the ambient temperature, the unit might reduce the output power at 2 Ω load

6 50 Hz High Pass is automatically activated in 70 V / 100 V output mode

7 140 V at 20 Ω

8 200 V at 40 Ω

9 Due to the mains voltage situation in Japan the values for the maximum output power can be decreased by 15%

10 Depth of the unit without rack ears (detachable): 380 mm

11 For VLD (Variable Load Drive) the optional remote control module RCM-810 is needed

5.2 DSA 8410

Amplifier at rated conditions, all channels driven, rated loads, unless otherwise specified.

Load Impedance	Low Impedance Mode			High Impedance Mode	
	2 Ω ¹	4 Ω ²	8 Ω ²	70 V / 10 Ω ³	100 V / 20 Ω ⁴
Maximum Midband Output Power THD = 1%, 1 kHz, 4 channels driven	1000 W ⁵	1000 W	500 W VLD: 1000 W ¹¹	1000 W	1000 W
Rated Output Power THD < 0.3%, 20 Hz ⁶ ...20 kHz, 4 ch. driven	900 W	900 W	450 W VLD: 900 W ¹¹	900 W	900 W
Maximum Bridged Output Power THD= 1%, 1 kHz	-	2000 W ¹	2000 W	2000 W ⁷	2000 W ⁸
Maximum RMS Voltage Swing THD = 1%, 1 kHz	45 V	63 V	63 V VLD: 89 V ¹¹	70 V	100 V
Power Bandwidth THD = 1%, ref. 1 kHz, half power @ rated load	10 Hz...25 kHz			50 Hz...25 kHz	
Voltage Gain, ref. 1 kHz	32 dB	32 dB	32 dB	33 dB	36 dB
Input Sensitivity, rated power, 1 kHz	1.1 V (+3.0 dBu)	1.55 V (+6.0 dBu)	1.55 V (+6.0 dBu)	1.55 V (+6.0 dBu)	1.55 V (+6.0 dBu)
THD at rated output power, MBW = 80 kHz, 1 kHz	< 0.05%				
IMD-SMPTE, 60 Hz, 7 kHz	< 0.05%				
DIM30, 3.15 kHz, 15 kHz	< 0.02%				
Maximum Input Level	+22 dBu (9.76 V _{rms})				
Crosstalk, ref. 1 kHz, at rated output power	< -80 dB				
Frequency Response, ref. 1 kHz, 8 Ω load	15 Hz ⁶ ...30 kHz (±1 dB)				
Input Impedance, active balanced	20 kΩ				
Damping Factor, 1 kHz, 8 Ω	> 240				
Slew Rate	28 V/μs				
Signal to Noise Ratio Amplifier, A-weighted	101 dB	103 dB	103 dB	104 dB	106 dB
Output Noise, A-weighted	< -66 dBu	< -65 dBu	< -65 dBu	< -65 dBu	< -64 dBu
Output Stage Topology	Class D				
Power Requirements (factory configured)	220-240 V, 50-60 Hz or 120 V, 50-60 Hz or 100 V ⁹ , 50-60 Hz				
Power Consumption, 1/8 maximum output power	840 W				
Protection	Audio Limiters, High Temperature, DC, HF, Short Circuit, Peak Current Limiters, Inrush Current Limiters, Turn-on Delay, Mains Circuit Breaker Protection, Mains Over/Undervoltage Protection				
Cooling	Front-to-Rear, temperature controlled fans				
Ambient Temperature Limits	+5 °C...+40 °C (40 °F...105 °F)				
Safety Class	I				
Dimensions (W x H x D), mm	481 x 88.0 x 421 ¹⁰				
Weight	11.1 kg (24.3 lbs)				
Optional: Rear-rackmount	D113223 (RMK-15)				

1) Output Mode 2 Ω (1000 W at 2 Ω, 500 W at 4 Ω, 250 W at 8 Ω)

2) Output Mode 4 Ω (1000 W at 4 Ω, 500 W at 8 Ω)

3) Output Mode 70 V

4) Output Mode 100 V

5) Depending on the ambient temperature, the unit might reduce the output power at 2 Ω load

6) 50 Hz High Pass is automatically activated in 70 V / 100 V output mode

7) 140 V at 10 Ω

8) 200 V at 20 Ω

9) Due to the mains voltage situation in Japan the values for the maximum output power can be decreased by 15%

10) Depth of the unit without rack ears (detachable): 380 mm

11) For VLD (Variable Load Drive) the optional remote control module RCM-810 is needed

5.3 DSA 8805

Amplifier at rated conditions, all channels driven, rated loads, unless otherwise specified.

Load Impedance	Low Impedance Mode			High Impedance Mode	
	2 Ω ¹	4 Ω ²	8 Ω ²	70 V / 10 Ω ³	100 V / 20 Ω ⁴
Maximum Midband Output Power THD = 1%, 1 kHz, 4 channels driven	500 W ⁵	500 W	250 W VLD: 500 W ¹¹	500 W	500 W
Rated Output Power THD < 0.3%, 20 Hz ⁶ ...20 kHz, 8 ch. driven	450 W	450 W	225 W VLD: 450 W ¹¹	450 W	450 W
Maximum Bridged Output Power THD= 1%, 1 kHz	-	1000 W ¹	1000 W	1000 W ⁷	1000 W ⁸
Maximum RMS Voltage Swing THD = 1%, 1 kHz	32 V	45 V	45 V VLD: 63 V ¹¹	70 V	100 V
Power Bandwidth THD = 1%, ref. 1 kHz, half power @ rated load	10 Hz...25 kHz			50 Hz...25 kHz	
Voltage Gain, ref. 1 kHz	32 dB	32 dB	32 dB	33 dB	36 dB
Input Sensitivity, rated power, 1 kHz	0.775 V (+0.0 dBu)	1.1 V (+3.0 dBu)	1.1 V (+3.0 dBu)	1.55 V (+6.0 dBu)	1.55 V (+6.0 dBu)
THD at rated output power, MBW = 80 kHz, 1 kHz	< 0.05%				
IMD-SMPTE, 60 Hz, 7 kHz	< 0.05%				
DIM30, 3.15 kHz, 15 kHz	< 0.02%				
Maximum Input Level	+22 dBu (9.76 V _{rms})				
Crosstalk, ref. 1 kHz, at rated output power	< -80 dB				
Frequency Response, ref. 1 kHz, 8 Ω load	15 Hz ⁶ ...30 kHz (\pm 1 dB)				
Input Impedance, active balanced	20 k Ω				
Damping Factor, 1 kHz, 8 Ω	> 240				
Slew Rate	28 V/ μ s				
Signal to Noise Ratio Amplifier, A-weighted	98 dB	100 dB	100 dB	104 dB	106 dB
Output Noise, A-weighted	< -66 dBu	< -65 dBu	< -65 dBu	< -65 dBu	< -64 dBu
Output Stage Topology	Class D				
Power Requirements (factory configured)	220-240 V, 50-60 Hz or 120 V, 50-60 Hz or 100 V ⁹ , 50-60 Hz				
Power Consumption, 1/8 maximum output power	930 W				
Protection	Audio Limiters, High Temperature, DC, HF, Short Circuit, Peak Current Limiters, Inrush Current Limiters, Turn-on Delay, Mains Circuit Breaker Protection, Mains Over/Undervoltage Protection				
Cooling	Front-to-Rear, temperature controlled fans				
Ambient Temperatur Limits	+5 °C...+40 °C (40 °F...105 °F)				
Safety Class	I				
Dimensions (W x H x D), mm	481 x 88.0 x 421 ¹⁰				
Weight	13.9 kg (28.7 lbs)				
Optional: Rear-rackmount	D113223 (RMK-15)				

1) Output Mode 2 Ω (500 W at 2 Ω , 250 W at 4 Ω , 125 W at 8 Ω)

2) Output Mode 4 Ω (500 W at 4 Ω , 250 W at 8 Ω)

3) Output Mode 70 V

4) Output Mode 100 V

5) Depending on the ambient temperature, the unit might reduce the output power at 2 Ω load

6) 50 Hz High Pass is automatically activated in 70 V / 100 V output mode

7) 140 V at 20 Ω

8) 200 V at 40 Ω

9) Due to the mains voltage situation in Japan the values for the maximum output power can be decreased by 15%

10) Depth of the unit without rack ears (detachable): 380 mm

11 For VLD (Variable Load Drive) the optional remote control module RCM-810 is needed

5.4 Mains Operation & Resulting Temperature

DSA 8405

DSA 8405	Output mode	U _{mains} in V	I _{mains} in A	P _{mains} in W	P _{out} in W	P _d in W ⁴	BTU/hr ³
Standby Mode	all	230	0.2	6	0	6	20
Idle Mode (all Channels muted)	all	230	0.5	50	0	50	171
Idle Mode (all Channels unmuted)	all	230	1.1	120	0	120	409
1/8 Max. Output Power @ 2 Ω ²	2 Ω	230	3.7	490	4x63	238	812
1/8 Max. Output Power @ 4 Ω ²	4 Ω	230	3.4	465	4x63	213	727
1/8 Max. Output Power @ 70 V / 100 V ²	70 V / 100 V	230	3.3	430	4x63	178	607
1/3 Max. Output Power @ 2 Ω ²	2 Ω	230	6.4	955	4x167	327	1116
1/3 Max. Output Power @ 4 Ω ²	4 Ω	230	6.3	925	4x167	257	877
1/3 Max. Output Power @ 70 V / 100 V ²	70 V / 100 V	230	6.1	870	4x167	202	689
Normal Mode (-10dB) @ 2 Ω ¹	2 Ω	230	3.0	395	4x45	215	734
Normal Mode (-10dB) @ 4 Ω ¹	4 Ω	230	2.7	350	4x45	170	580
Normal Mode (-10dB) @ 70 V / 100 V ¹	70 V / 100 V	230	2.4	300	4x45	120	409
Alert (Alarm) Mode (-3dB) @ 2 Ω ¹	2 Ω	230	9.0	1370	4x225	470	1604
Alert (Alarm) Mode (-3dB) @ 4 Ω ¹	4 Ω	230	8.4	1280	4x225	380	1297
Alert (Alarm) Mode (-3dB) @ 70 V / 100 V ¹	70 V / 100 V	230	7.6	1140	4x225	240	819

DSA 8410

DSA 8410	Output mode	U _{mains} in V	I _{mains} in A	P _{mains} in W	P _{out} in W	P _d in W ⁴	BTU/hr ³
Standby Mode	all	230	0.2	6	0	6	20
Idle Mode (all Channels muted)	all	230	0.5	50	0	50	171
Idle Mode (all Channels unmuted)	all	230	1.1	120	0	120	409
1/8 Max. Output Power @ 2 Ω ²	2 Ω	230	5.9	840	4x125	340	1160
1/8 Max. Output Power @ 4 Ω ²	4 Ω	230	5.5	765	4x125	265	904
1/8 Max. Output Power @ 70 V / 100 V ²	70 V / 100 V	230	5.3	740	4x125	240	819
1/3 Max. Output Power @ 2 Ω ²	2 Ω	230	12.0	1850	4x333	518	1767
1/3 Max. Output Power @ 4 Ω ²	4 Ω	230	11.4	1760	4x333	428	1460
1/3 Max. Output Power @ 70 V / 100 V ²	70 V / 100 V	230	11.1	1690	4x333	358	1222
Normal Mode (-10dB) @ 2 Ω ¹	2 Ω	230	4.5	620	4x90	260	887
Normal Mode (-10dB) @ 4 Ω ¹	4 Ω	230	4.2	570	4x90	210	717
Normal Mode (-10dB) @ 70 V / 100 V ¹	70 V / 100 V	230	4.1	560	4x90	200	682
Alert (Alarm) Mode (-3dB) @ 2 Ω ¹	2 Ω	230	16.4	2730	4x450	930	3173
Alert (Alarm) Mode (-3dB) @ 4 Ω ¹	4 Ω	230	14.8	2390	4x450	590	2013
Alert (Alarm) Mode (-3dB) @ 70 V / 100 V ¹	70 V / 100 V	230	14.4	2320	4x450	520	1774

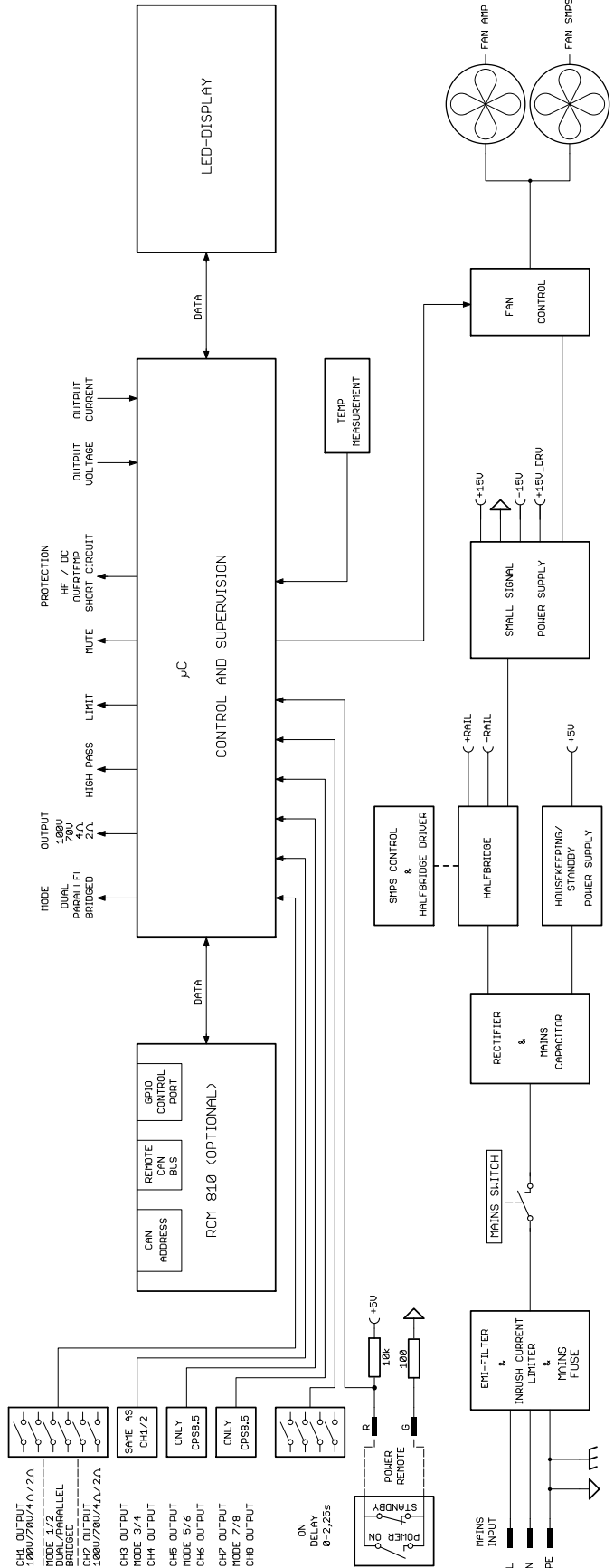
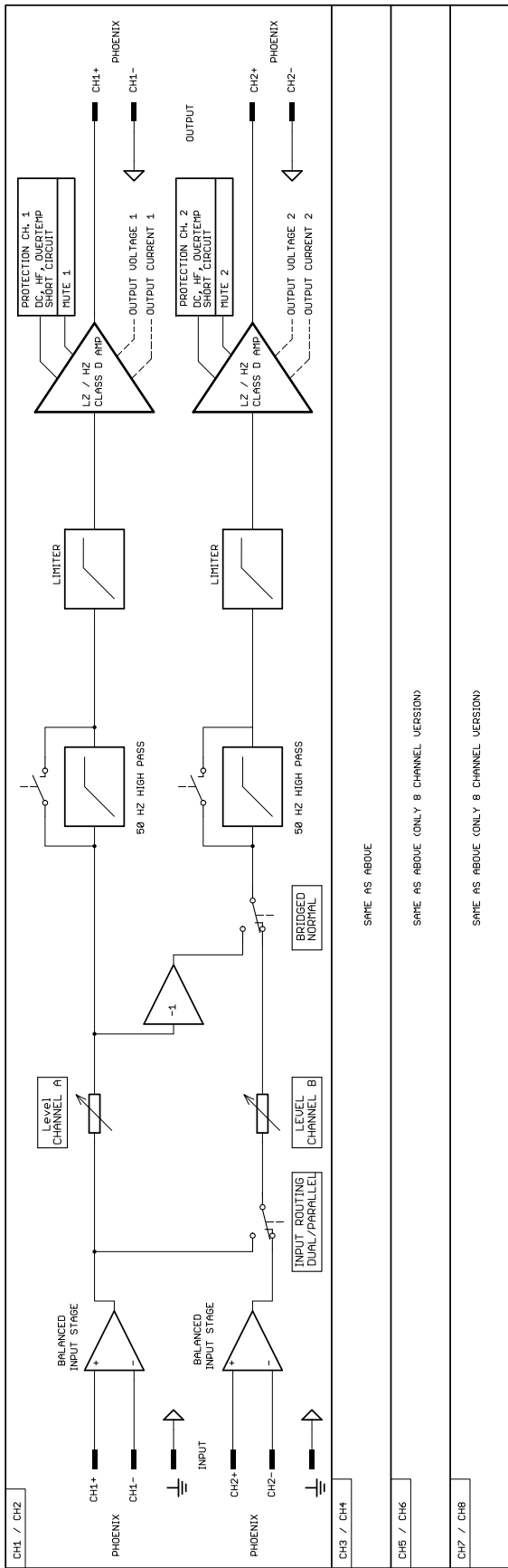
DSA 8805

DSA 8805	Output mode	U _{mains} in V	I _{mains} in A	P _{mains} in W	P _{out} in W	P _d in W ⁴	BTU/hr ³
Standby Mode	all	230	0.2	6	0	6	20
Idle Mode (all Channels muted)	all	230	0.7	75	0	75	256
Idle Mode (all Channels unmuted)	all	230	1.9	230	0	230	785
1/8 Max. Output Power @ 2 Ω ²	2 Ω	230	6.5	930	8x63	426	1454
1/8 Max. Output Power @ 4 Ω ²	4 Ω	230	6.0	860	8x63	356	1215
1/8 Max. Output Power @ 70 V / 100 V ²	70 V / 100 V	230	5.6	800	8x63	296	1010
1/3 Max. Output Power @ 2 Ω ²	2 Ω	230	12.8	2045	8x167	709	2419
1/3 Max. Output Power @ 4 Ω ²	4 Ω	230	12.2	1920	8x167	584	1993
1/3 Max. Output Power @ 70 V / 100 V ²	70 V / 100 V	230	11.5	1730	8x167	394	1344
Normal Mode (-10dB) @ 2 Ω ¹	2 Ω	230	5.3	750	8x45	390	1331

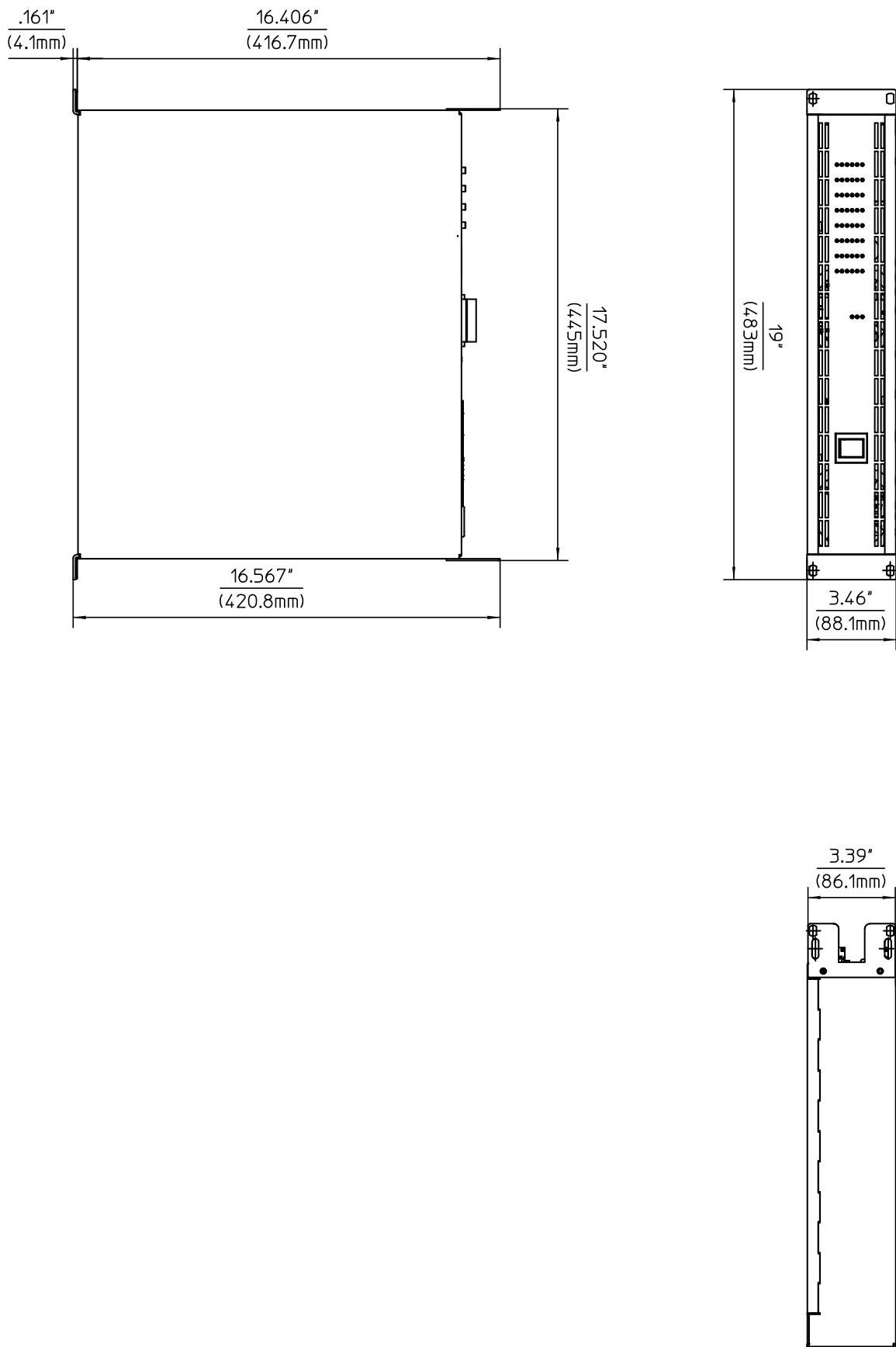
DSA 8805	Output mode	U _{mains} in V	I _{mains} in A	P _{mains} in W	P _{out} in W	P _d in W ⁴	BTU/hr ³
Normal Mode (-10dB) @ 4 Ω ¹	4 Ω	230	5.0	700	8x45	340	1160
Normal Mode (-10dB) @ 70 V / 100 V ¹	70 V / 100 V	230	4.5	615	8x45	255	870
Alert (Alarm) Mode (-3dB) @ 2 Ω ¹	2 Ω	230	17.0	2800	8x225	760	2593
Alert (Alarm) Mode (-3dB) @ 4 Ω ¹	4 Ω	230	16.0	2600	8x225	560	1911
Alert (Alarm) Mode (-3dB) @ 70 V / 100 V ¹	70 V / 100 V	230	14.3	2300	8x225	260	887

- 1) Sine Modulation (1 kHz)
- 2) Pink Noise EN60065 / 7. Edition
- 3) 1 BTU = 1055.06 J = 1055.06 Ws
- 4) P_d = Power Dissipation

5.5 Block Diagram / Blockschaltbild



5.6 Dimensions / Abmessungen





12000 Portland Avenue South, Burnsville, MN 55337, USA
Phone: +1 952/844-4051, Fax: +1 952/884-0043

www.dynacord.com

© Bosch Communications Systems 11/2010
Part Number F01U108334 Vs 03

Europe, Africa, and Middle East only. For customer orders, contact Customer Service at:
+49 9421-706 0 Fax: +49 9421-706 265

Asia & Pacific only. For customer orders, contact Customer Service at:
+65 6571 2534 Fax: +65 6571 2699

For technical assistance, contact Technical Support at: **+49 9421-706 0**

Specifications subject to change without notice.