

PRA-WCP-EU Wall control panel, EU-style

PRAESENSA



- ▶ Easy to read color TFT display
- ▶ Local control of music source and volume in different zones
- ▶ PoE powered device
- ▶ Fits in the standard European round recess back box
- ▶ Interchangeable white and black front

The wall control panel PRA-WCP-EU provides convenient local control of background music (BGM) in a zone covered by a PRAESENSA sound system. In the PRAESENSA system it is possible to configure a set of selectable music sources, the volume control range, and the operating zone for each wall control panel. Control is quick and intuitive, with a single knob for the rotate and push select actions. The color LCD provides clear user feedback. It is possible to manage user access with a PIN to restrict operation to authorized staff.

The PRA-WCP-EU comes with a white front, knob and square wall plate. A black front, knob and wall plate are included for easy exchange on-site. It fits in the standard European round recess electrical back box for flush-mount installation.

Functions

IP-network connection

- Direct connection to the IP-network. One shielded Ethernet cable is sufficient for Power over Ethernet and data exchange.
- The wall control panel communicates the BGM settings directly to the system controller. The system controller adjusts the source and level of the involved amplifier channels accordingly.
- Because only control information is exchanged, no audio data, the occupied network bandwidth for this function is minimized.

Operation

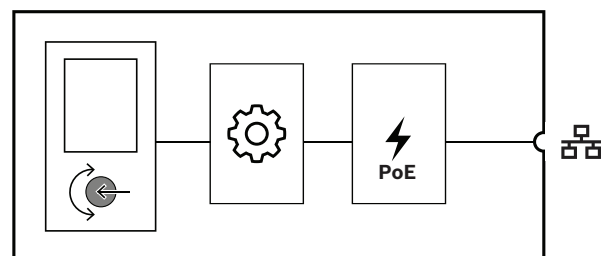
- The volume settings of the BGM have configurable minimum and maximum levels.

- Selection of the BGM source from a list of BGM channels that are assigned to the zone under control.
- Selection through a single rotary knob with push action.
- Clear user feedback through the backlit color LCD.
- Optional access control through PIN entry to restrict operation to authorized staff.

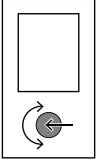
Installation

- The wall control panel fits in a standard European round recess electrical back box for flush-mount installation with 60 mm of inside diameter and 60 mm of depth. Square wall plates (white and black) are included.
- IP-network connection through a single cable with RJ45 connector.
- The device comes with a black and a white front cover and wall plate, exchangeable to match the environment.



Connection and functional diagram




Front side indicator

	Status screen	LCD
---	---------------	-----


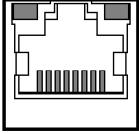
Front side control

	Function select and control	Rotary/push encoder
	Device reset to factory default	Button (behind the cover)

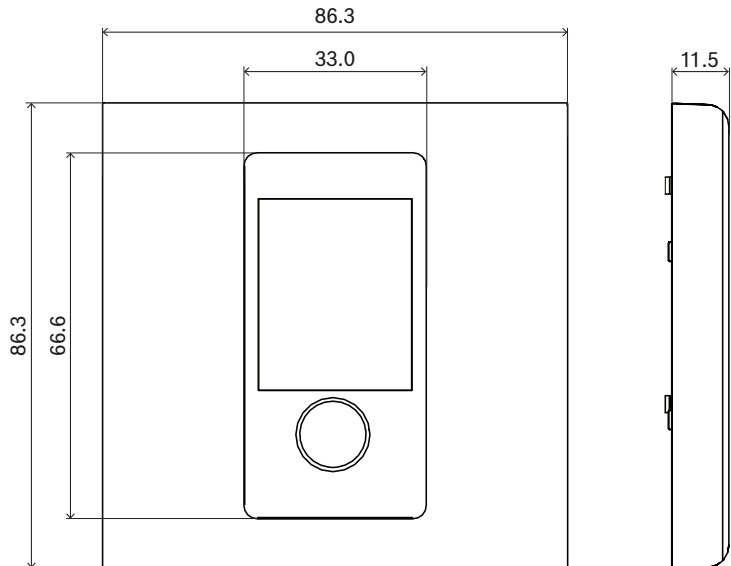
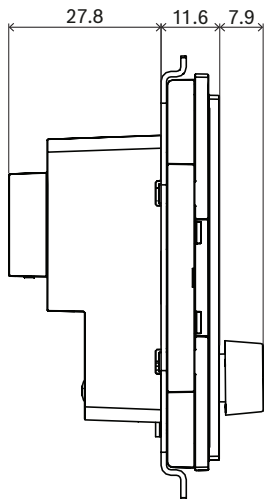
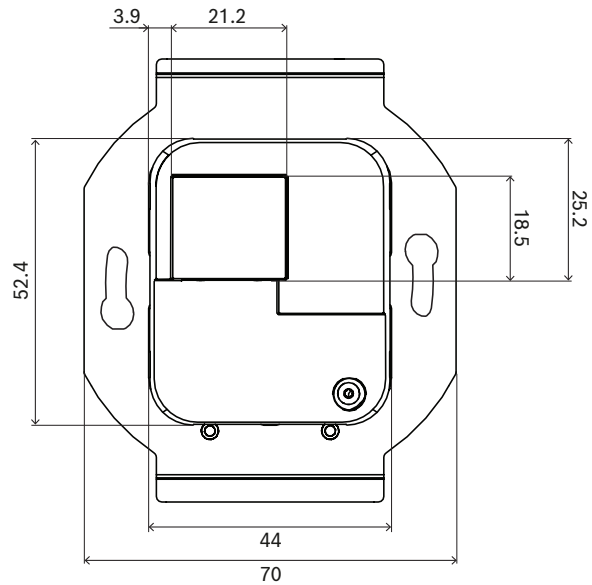
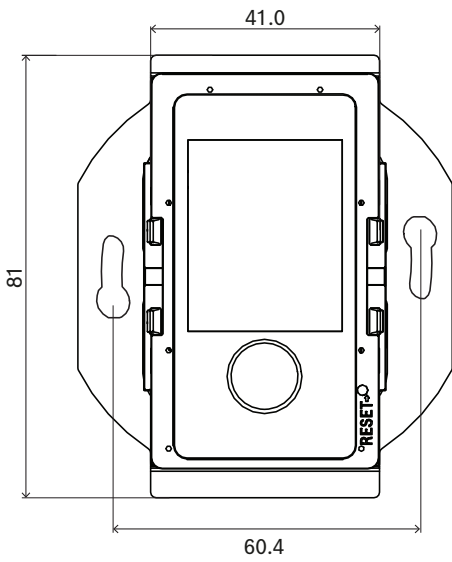
Rear side indicators

	100 Mbps network 1-2 1 Gbps network 1-2	Yellow Green
---	--	-----------------

Rear side interconnection

	Network port (PoE PD)	
---	-----------------------	---

Dimensions



mm

Architects' and engineers' specifications

The IP networked wall control panel shall be designed exclusively for use with Bosch PRAESENSA systems. It shall provide an interface for control data over OMNEO using Ethernet. It shall receive Power over Ethernet (PoE) through its network connection. It shall fit in a standard electrical back box for flush-mount installations. The wall control panel shall be an interface to the sound system to select a background music channel in a zone and change its volume level. It shall have a single push/rotate knob

and a full color LCD with backlight for easy navigation and clear indication of the operating zone, selected channel and actual volume level. It shall be fit for operation by untrained people, but it shall also have configurable PIN-code access to restrict access to authorized staff. The wall control panel shall be marked for CE and be compliant with the RoHS directive. Warranty shall be three years minimum. The wall control panel shall be a Bosch PRA-WCP-EU or PRA-WCP-US.

Regulatory information

Regulatory areas

Immunity	EN 55035
Emissions	EN 55032 EN 61000-6-3 ICES-003 ANSI C63.4 FCC-47 part 15B class A
Environment	EN/IEC 63000

Parts included

Quantity	Component
1	PRA-WCP-EU Wall control panel, EU-style, white version
1	Wall plate for PRA-WCP-EU, white
1	Wall plate for PRA-WCP-EU, black
1	Black front panel and knob
1	Quick installation guide
1	Safety and security information

Technical specifications

Electrical

Display

Display size (in)	1.77 in
Display color	Color
Display type	TFT
Display resolution (pixels) (W x H)	128 x 160 px
Brightness	480 cd/m ²

Power transfer

Power over Ethernet (PD)	PoE IEEE 802.3af Class 1
Nominal voltage (VDC)	48 VDC
Input voltage (VDC) (tolerance)	37 VDC – 57 VDC
Power consumption (W) (maximum)	1.30 W

Network interface

Ethernet type	100BASE-TX; 1000BASE-T
---------------	------------------------

Protocols / standards	TCP/IP; AES70
Number of Ethernet ports	1

Environmental

Operating temperature (°C)	-5 °C – 50 °C
Operating temperature (°F)	-13 °F – 131 °F
Storage temperature (°C)	-30 °C – 70 °C
Storage temperature (°F)	-22 °F – 158 °F
Operating relative humidity, non-condensing (%)	5% – 95%
Air pressure (hPa)	560 hPa – 1,070 hPa
Installation altitude (m)	-500 m – 5,000 m
Installation altitude (ft)	-1,640 ft – 16,404 ft
Operating vibration	
Amplitude (mm)	< 0.7 mm
Acceleration (G)	< 2 G
Bump (transport) (G)	< 10 G (IEC 60068-2-27)

Mechanical

Dimensions (H x W x D) (mm)	81 mm x 70 mm x 47.3 mm
Dimensions (H x W x D) (in)	3.19 in x 2.76 in x 1.86 in
Dimensions of wall box (Ø x D) (mm)	60 mm x 60 mm
Dimensions of wall box (Ø x D) (in)	2.36 in x 2.36 in
IP rating	IP20
Material	Plastic (PC/ABS – UL94-5VA)
Color (RAL) (front cover with knob)	RAL 9017 Traffic black; RAL 9003 Signal white
Weight (kg)	0.10 kg
Weight (lb)	0.22 lb

Ordering information

PRA-WCP-EU Wall control panel, EU-style

Network connected, PoE powered wall control panel for local control of background music.

Order number **PRA-WCP-EU | F.01U.394.535**

Represented by:

Europe, Middle East, Africa:

Bosch Security Systems B.V.
P.O. Box 80002
5600 JB Eindhoven, The Netherlands
Phone: + 31 40 2577 284
www.boschsecurity.com/xc/en/contact/
www.boschsecurity.com

Germany:

Bosch Sicherheitssysteme GmbH
Robert-Bosch-Ring 5
85630 Grasbrunn
Tel.: +49 (0)89 6290 0
Fax: +49 (0)89 6290 1020
de.securitysystems@bosch.com
www.boschsecurity.com

North America:

Bosch Security Systems, LLC
130 Perinton Parkway
Fairport, New York, 14450, USA
Phone: +1 800 289 0096
Fax: +1 585 223 9180
onlinehelp@us.bosch.com
www.boschsecurity.com

Asia-Pacific:

Robert Bosch (SEA) Pte Ltd, Security Systems
11 Bishan Street 21
Singapore 573943
Phone: +65 6571 2808
Fax: +65 6571 2699
www.boschsecurity.com/xc/en/contact/
www.boschsecurity.com