

IX30:4 4-channel DSP power amplifier, 3kW



- 4-channel networked DSP amplifier with 3 kW powerTANK for Hi-Z and Lo-Z operation
- 8 x 8 Dante with OCA/AES70 remote control, 4 mic/line inputs usable as Dante break-in
- 96 kHz fully featured DSP matrix mixer and MXE-style TaskEngine for system logic, automation, scheduling and integration
- ghostPOWER via PoE to maintain DSP, Dante network and mic/line inputs
- High efficiency ecoRAIL technology for lower operating costs

The IX30:4 is a 4-channel networked DSP amplifier with 3 kW total output power. Able to drive Hi-Z or Lo-Z loads with powerTANK technology, the IX30:4 is ideal for a wide range of applications including sports venues, houses of worship, live performance spaces and hospitality. IX30:4 features eight (8) Dante inputs, eight (8) Dante outputs and four (4) mic/line inputs, that can be used as Dante break-in points. The natively operating 96 kHz DSP features a full equipped 12 x 12 matrix mixer, EQs, dynamics, Dynacord FX and FIR-Drive capability. All 12 inputs feature pilot-tone detection, while the eight (8) Dante and four (4) amplifier outputs allow to add pilot tones up to 30 kHz.

The IX30:4 uses Dynacord's patented ecoRAIL technology for optimizing energy consumption. ghostPOWER via PoE maintains the entire DSP, the Dante network and all mic/line inputs active, independent of the mains power. The integrated MXE-style TaskEngine allows for system automation, scheduling, control, and integration to third party devices.

IX series is fully integrated in Dynacord's SONICUE Sound System Software and can be used as a SONICUE control server, for direct use with the WPN1 wall controller as well as TPC-1, iOS and Windows devices.

Technical specifications

OUTPUT POWER				
Total rated output power ¹	3000 W			
Number of amplifier channels	4			
Load	2 Ω	2.7 Ω	4 Ω	8 Ω
Maximum Output Power ¹				
All channels equally driven	750 W	750 W	600 W	750 W
Max. per channel	1000 W	800 W	600 W	1000 W
Bridge	1000 W	1300 W	1500 W	1200 W
Direct Drive	70 V		100 V	
Maximum Output Power ¹				
All channels equally driven	750 W		750 W	
Max. per channel	750 W		1000 W	
Maximum Output Voltage, Hi-Z/4 - 16 Ω mode, per channel	145 V _{peak}			
Maximum Output Current, Lo-Z/2 - 4 Ω mode, per channel	33 A _{peak}			

¹Test signal for max. output power according IHFA-202 (Dynamic-Headroom, burst 1 kHz / 20 ms on /480 ms off / low level -20 dB)

AMPLIFIER

Voltage Gain Low-Z mode, ref. 1 kHz	32 dB, adjustable 20.0 - 44.0 dB
Input sensitivity Direct Drive mode	+6 dBu (1.55 V), fixed
THD+N 3 dB below max, AES17, 1 kHz	< 0.1 %
Crosstalk ref. 1 kHz, 12 dB below max, 8 Ω	< -80 dB
Frequency Response ref. 1 kHz, Analog In to Speaker Out	20 Hz to 20 kHz (±1 dB)
Damping Factor 20 Hz to 200 Hz, 8 Ω	> 250
Output Stage Topology	Class D, fixed frequency
Output Noise	
Analog input (A-weighted, eco mode)	< -67 dBu
Digital input (A-weighted, eco mode)	< -70 dBu

DIGITAL SIGNAL PROCESSING

Sampling rate	96 kHz internal, Dante 48/96 kHz switchable
Signal delay/latency (Analog In to Speaker Out)	0.77 ms
Signal Processing	
Input processing	HPF 24 dB, 4 filters per channel, selectable as PEQ, Lo-/Hi-Shelv, Lo-/Hi-ShelvQ, Hi-/Lo-Pass and Notch; Noise Gate, Compressor or AGC; Ducker, Auto mixer, input pilot tone supervision
Mix Matrix	12 x 12 matrix mixer with stereo FX
User EQ	12 filters per channel, selectable as PEQ, Lo-Shelv, Hi-Shelv, Lo-ShelvQ, Hi-ShelvQ, Hi-Pass, Lo-Pass and Notch; 2 filters of them with additional asymmetric filter type
User Delay	0 to 2000 ms per channel
Array EQ	5 filters per channel, selectable as PEQ, Lo-Shelv, Hi-Shelv, Lo-ShelvQ, Hi-ShelvQ, Hi-Pass, Lo-Pass, and All-Pass
Array Delay	0 to 500 ms per channel
Speaker EQ	10 filters per channel, selectable as PEQ, Lo-Shelv, Hi-Shelv, Hi-Pass, Lo-Pass, and All-Pass
Speaker X-Over	Hi-Pass, and Lo-Pass per channel, 6/12/18/24/30/36/42/48 dB Bessel/Butterworth, 12/24/36/48 dB Linkwitz-Riley; Alignment Delay, 0 to 20 ms per channel
Speaker FIR	Up to 1025 taps
Speaker Limiters	Peak Anticipation Limiter and RMS/TEMP Limiter per channel
Load Supervision	Pilot tone up to 30 kHz

DIGITAL SIGNAL PROCESSING

Other Functions	Source Selection, Level, Mute, Polarity, Sine and Noise Generator, Pilot Tone Generator and Detection, Level Meters, Impedance Measurement and Load Monitoring
DSP Presets	1 Factory + 20 User
Source Supervision and Fallback	Pilot Tone supervision at Analog and Dante inputs, switchover to FAILOVER source selection

CONNECTIVITY

Mic/Line Input	
Type	2 x 5-pin Euroblock, male
Channels	4
Gain	0 to 60 dB
Maximum Input Level (balanced)	+18 dBu
Maximum Input Level (unbalanced)	+12 dBu
Phantom power	+48 V, switchable per input
Input Impedance, active balanced	>10 kΩ
EIN (A-weighted) @ 150 Ω	-127 dBu
Reference level equal to digital input	+22 dBu for 0 dBFS
Speaker Output	
Type	1 x 8-pin Euroblock
Diameter	2.5 mm ² / 12 AWG
Network	
Type	2 x RJ45
General	1000base-T/100base-TX, integrated switch
Redundancy Modes	Glitch-Free (PRIMARY/SECONDARY), RSTP
Backup power supply (ghostPOWER)	1 x PoE (IEEE 802.3af) on PRIMARY port
Network Audio Inputs	8 ch, 48/96 kHz, Dante
Network Audio Outputs	8 ch, 48/96 kHz, Dante
Mains Input	1 x IEC C14
Control Port	
GPIO Control Port	3 x GPIO, switchable Analog In/Digital In/Digital Out
Type	1 x 8-pin Euroblock, male
Analog Input Range	0 V to +13 V, 133 kΩ input resistance
Digital Input Limits	ON: < 1.5 V OFF: > 2.0 V, internal Pull Up (10 kΩ / 10 V)
Digital Outputs	ON: Output switched to GND, max. 200 mA OFF: Open Collector
Reference Voltage Output	+10 V, max. 200 mA, supervised, short circuit protected
READY/FAULT	Galvanic isolated relay, max. 30 VDC/500 mADC

CONNECTIVITY

Front panel indicators	6 x status LEDs (POWER, STANDBY, FAULT, OMNEO, PoE, AC), signal/peak LED per MIC/LINE input and AMPLIFIER output
Rear panel indicators	2 x status LEDs (INFO, STATUS)
Rear panel operation	1 x INIT button (recessed)

GENERAL**Power consumption**

Rated power consumption	550 W
Idle/Eco mode (output power <1 W)	26 W
Standby mode	<15 W
Power Requirements	100 V to 240 V, 50 Hz to 60 Hz AC
Power Supply Topology	Switching Mode Power Supply with digitally controlled power factor correction (PFC)
Protections	Audio Limiters, High Temperature, DC, HF, Short Circuit, Back-EMF, Peak Current Limiters, Inrush Current Limiters, Mains Current Limiter, Mains Over-/Under Voltage Protection
Cooling	Front-to-rear, temperature controlled fans, supervised
Ambient Temperature Limits	+5 °C to +40 °C (+40 °F to +105 °F)
IEC Protection Class	Class I (grounded)
Electromagnetical Environment	E1, E2, E3
Color	Black
Dimensions (W x H x D)	483 mm x 44.1 mm x 447 mm (19 in x 1.74 in x 17 in)
Weight	7.5 kg (16.4 lb)
Shipping weight	9.3 kg (20.5 lb)

Amplifier at rated conditions, Lo-Z/2 - 4 Ω normal operation mode, all channels driven, 4 Ω loads, analog input, 32 dB Gain, unless otherwise specified.

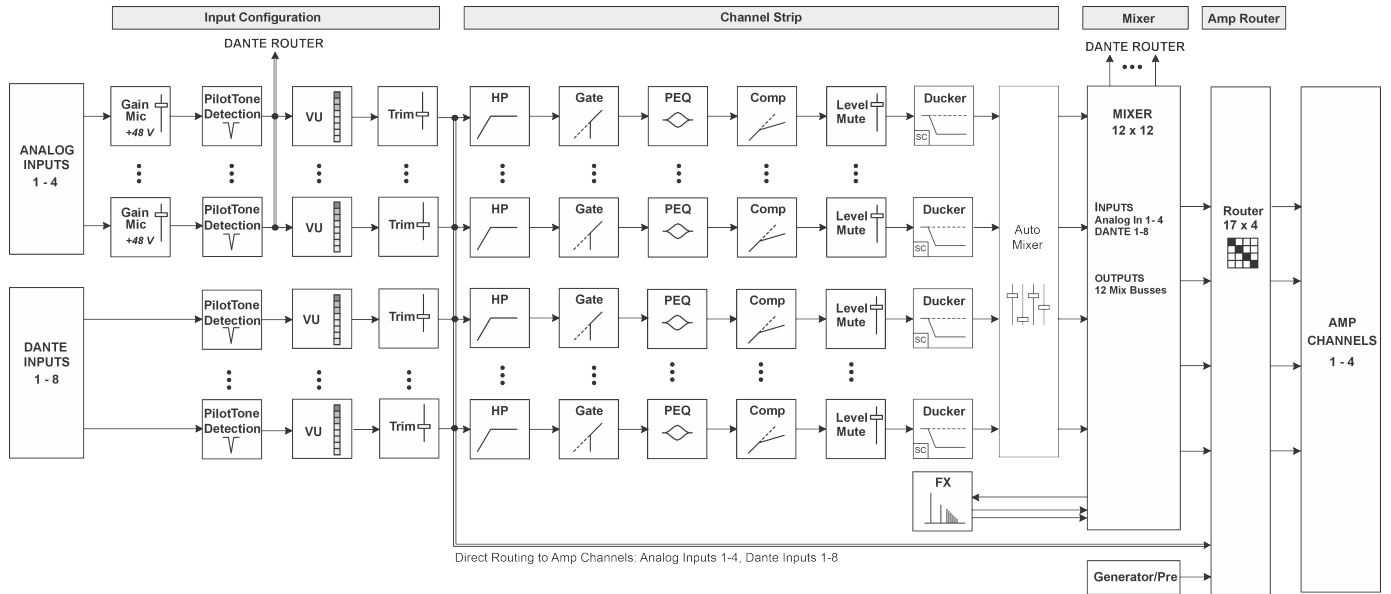


Fig. 1: Block diagram for inputs

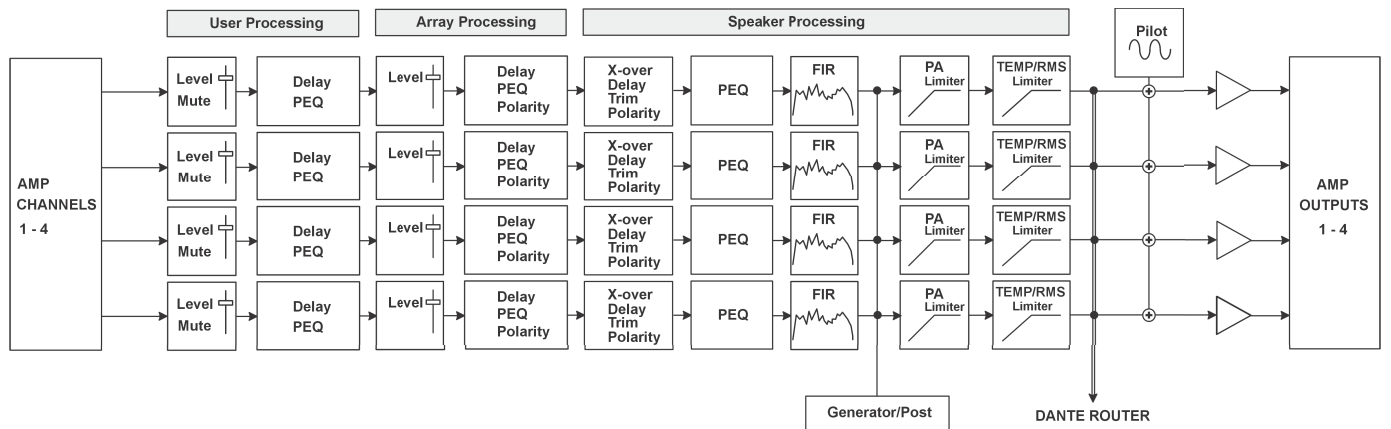


Fig. 2: Block diagram for amplifier channels

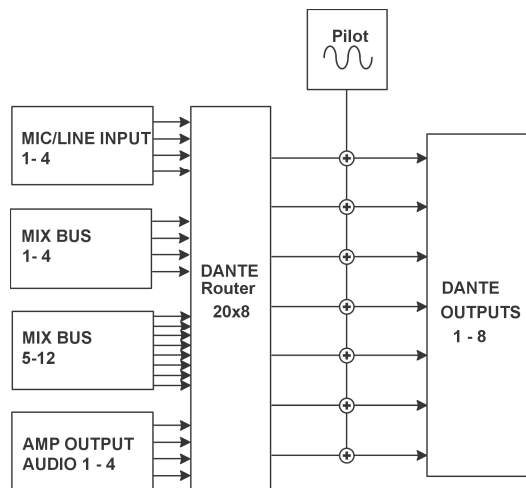
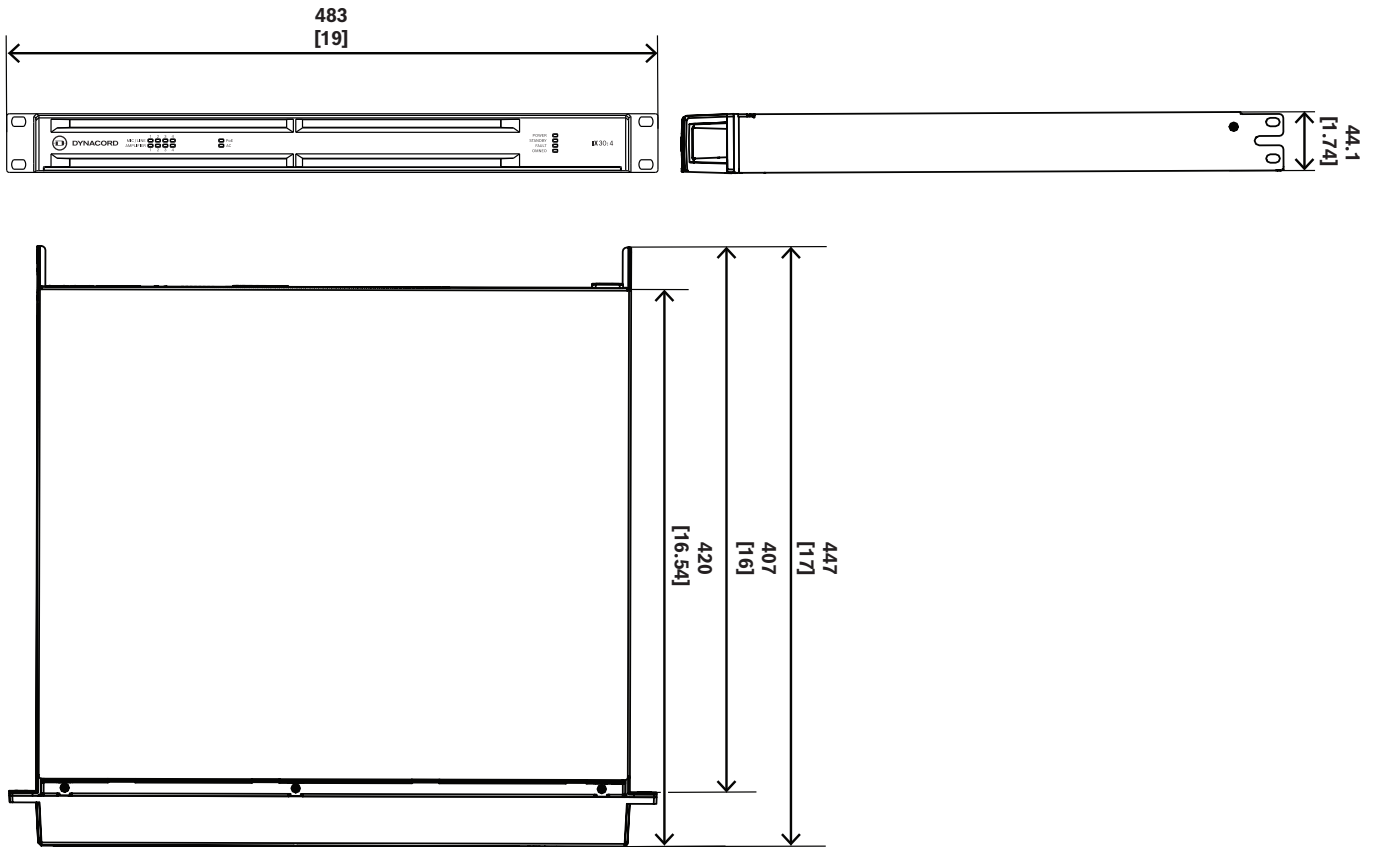


Fig. 3: Dante router



mm [in]

Fig. 4: Dimensions

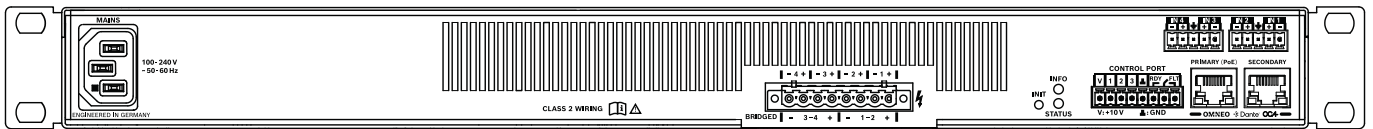


Fig. 5: Rear panel

Ordering information

IX30:4 4-channel DSP power amplifier, 3kW

4-channel DSP networked amplifier, 3kW powerTANK, 8x8 Dante, OCA, 4 mic/line inputs
Order number **IX30:4 | F.01U.411.087**

IX30:4-US 4-channel DSP power amplifier, 3kW, US

4-channel DSP networked amplifier, 3kW powerTANK, 8x8 Dante, OCA, 4 mic/line inputs, US power cord
Order number **IX30:4-US | F.01U.425.390**

Accessories

DC-RMK15 Rear rackmount kit for amplifiers

Rack Mount Kit for amplifiers, Length 15,5"; 1L/1R
Order number **DC-RMK15 | F.01U.135.402**

TPC-1 Touch panel controller 5.7"

Full HD TFT touch panel, POE, for control panels created in SONICUE Sound System Software
Order number **TPC-1 | F.01U.384.715**

WPN1-EU Wall panel controller networked, EU

Wall panel controller with 1.77-inch display and encoder for use with SONICUE Control Server devices, PoE, ships with white and black front covers and wall plates
Order number **WPN1-EU | F.01U.388.087**

WPN1-US Wall panel controller networked, US

Wall panel controller with 1.77-inch display and encoder for use with SONICUE Control Server devices, PoE, ships with white and black front covers
Order number **WPN1-US | F.01U.394.578**



<https://www.dynacord.com>